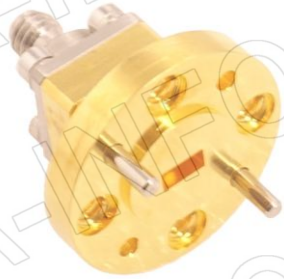
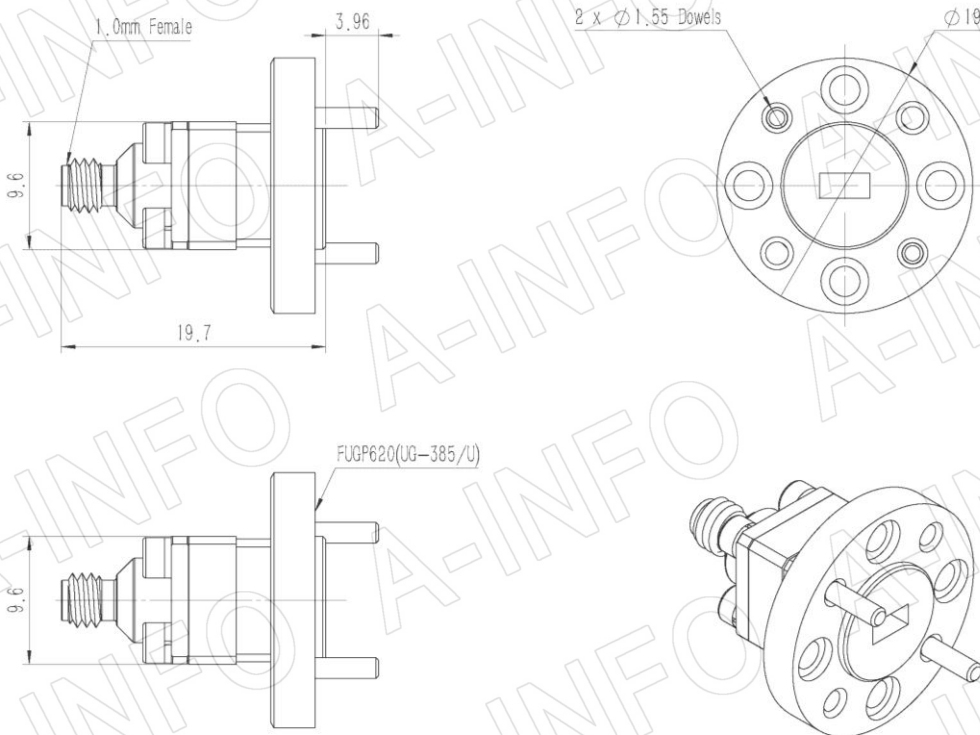


## Technical Specification

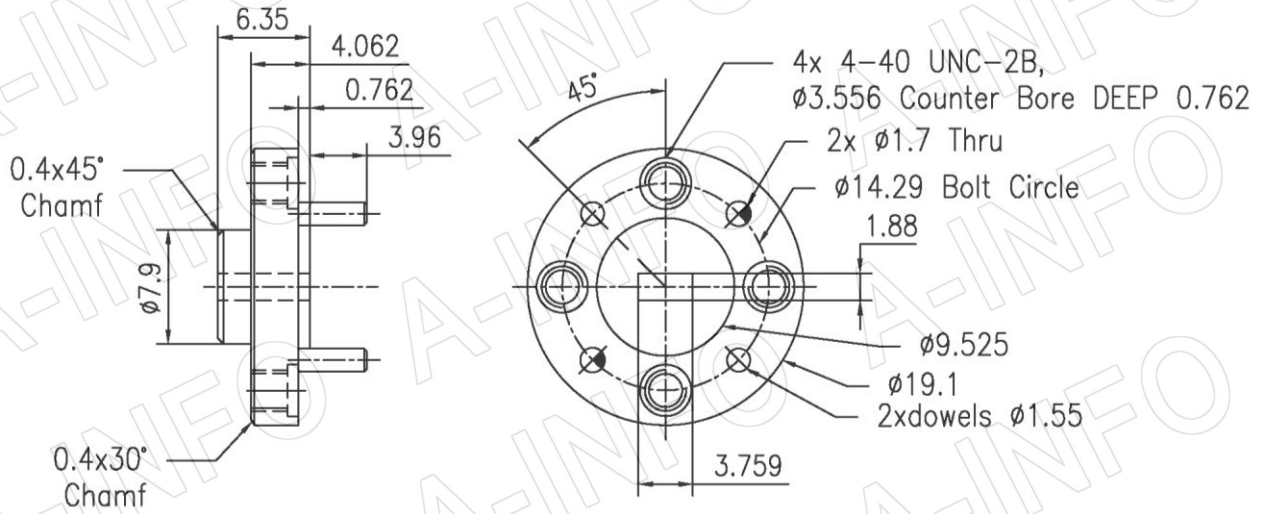


EIA WR	WR15
Frequency Range(GHz)	50.0 - 75.0
Insertion Loss(dB)	0.6 Max.
VSWR	1.50:1 Max.
Flange	FUGP620(UG-385/U)
Connector	1.0mm-Female
Average Power(W CW)	3 Max.
Peak Power(W)	5
Material	Cu
Size(mm)	19.7 x 19.1 x 19.1
Net Weight(Kg)	0.02 Around

## Outline Drawing (Size: mm)



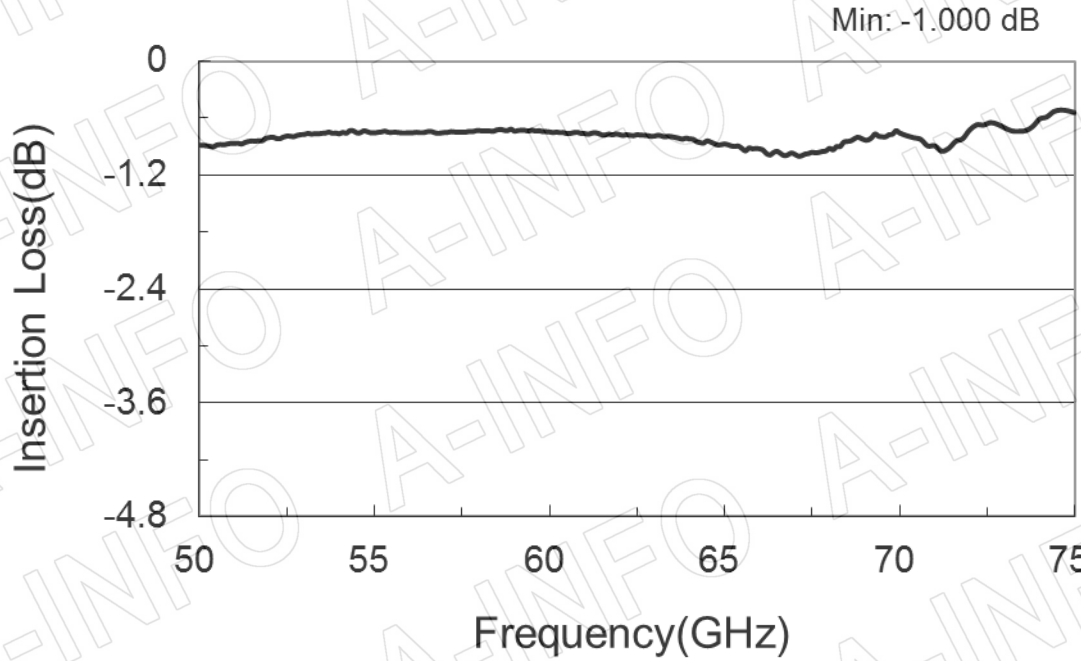
## Flange Drawing (Size: mm)



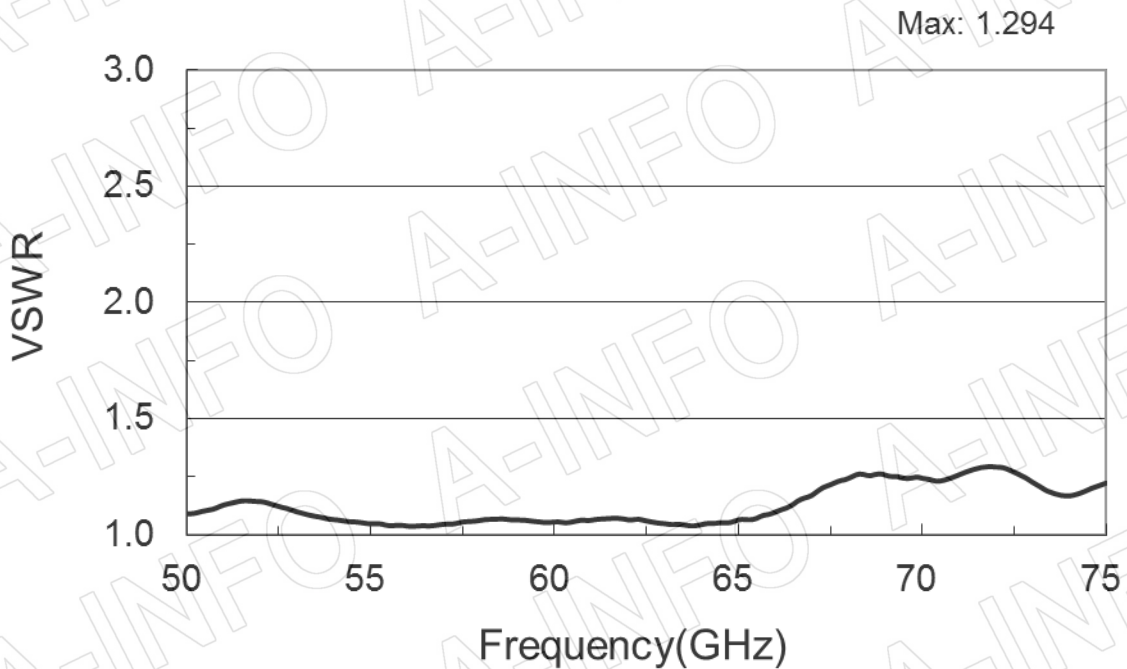
FUGP620  
(equivalent to UG-385/U)

## Test Results

I. L. (Test with two adapters back to back)



VSWR



AINFO Inc.

Page 3 of 3

China(Beijing):  
China(Chengdu):  
USA :

Tel: (+86) 10-6266-7326,  
Tel: (+86) 28-8519-2786,  
Tel: (+1) 949-639-9688,

(+86) 10-6266-7327  
(+86) 28-8519-3044  
(+1) 949-639-9608

Fax: (+86) 10-6266-7379  
Fax: (+86) 28-8519-3068  
Fax: (+1) 949-639-9670

Website: [www.ainfoinc.com](http://www.ainfoinc.com)  
Email: [sales@ainfoinc.com](mailto:sales@ainfoinc.com)