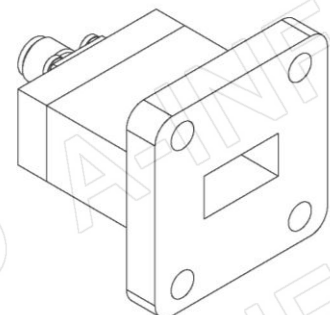
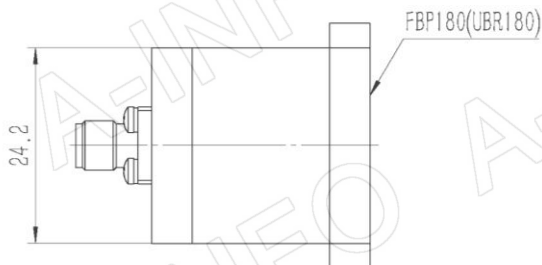
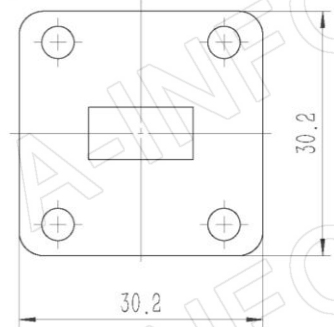
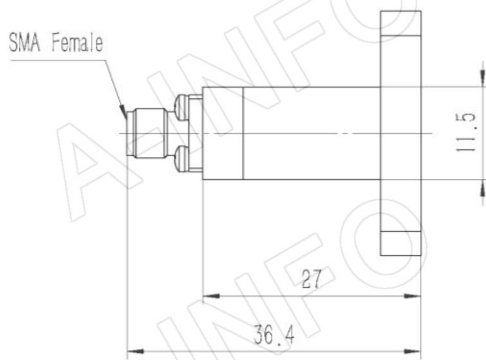


Technical Specification



EIA WR	WR51
Frequency Range(GHz)	15.0 – 22.0
Insertion Loss(dB)	0.29 Max.
VSWR	1.25:1 Max.
Flange	FBP180(UBR180)
Connector	SMA-Female
Average Power(W CW)	50 Max.
Peak Power(KW)	3
Material	Cu
Size(mm)	36.4 x 30.2 x 30.2
Net Weight(Kg)	0.08 Around

Outline Drawing (Size: mm)



AINFO Inc.

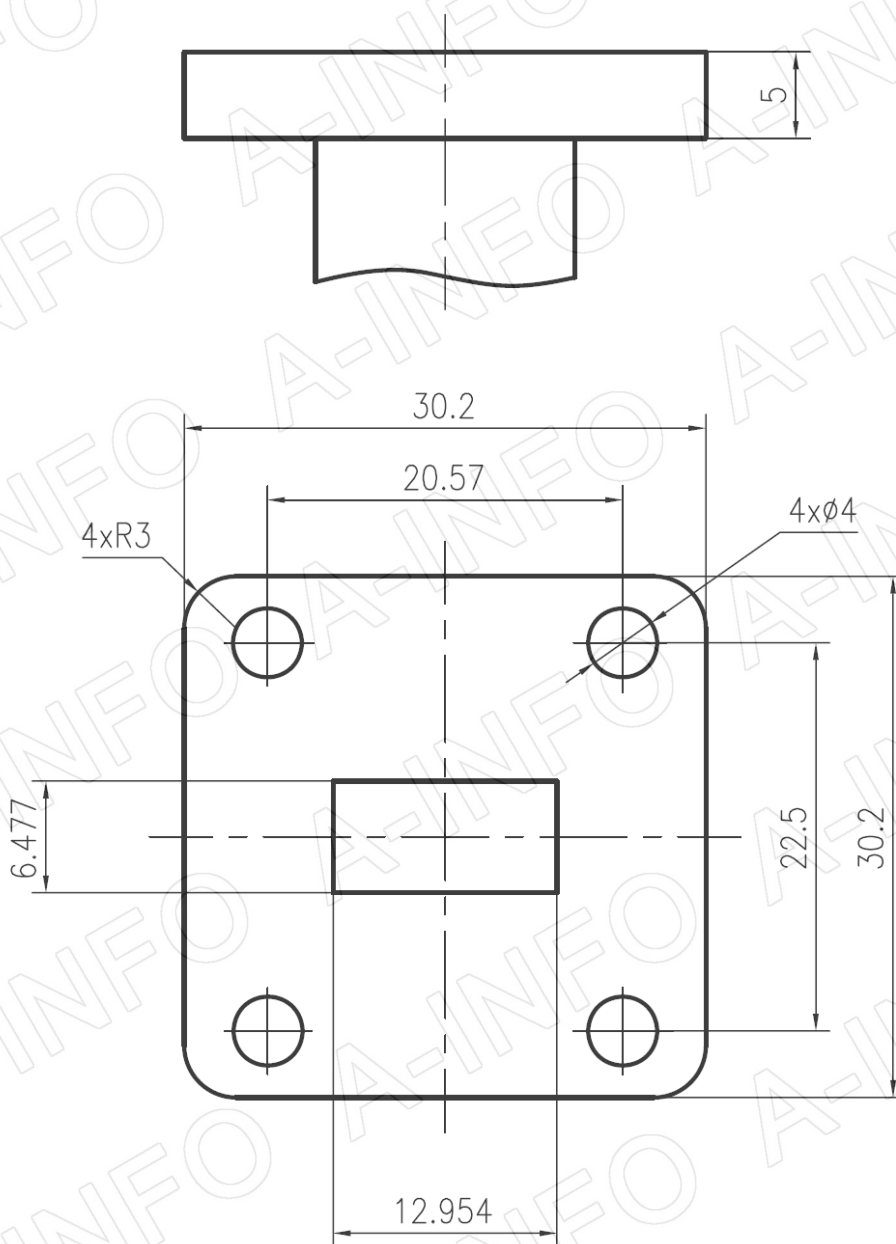
Page 1 of 3

China(Beijing): Tel: (+86) 10-6266-7326,
China(Chengdu): Tel: (+86) 28-8519-2786,
USA: Tel: (+1) 949-639-9688,

(+86) 10-6266-7327 Fax: (+86) 10-6266-7379
(+86) 28-8519-3044 Fax: (+86) 28-8519-3068
(+1) 949-639-9608 Fax: (+1) 949-639-9670

Website: www.ainfoinc.com
Email: sales@ainfoinc.com

Flange Drawing (Size: mm)



FBP180

AINFO Inc.

Page 2 of 3

China(Beijing):
China(Chengdu):
USA :

Tel: (+86) 10-6266-7326,
Tel: (+86) 28-8519-2786,
Tel: (+1) 949-639-9688,

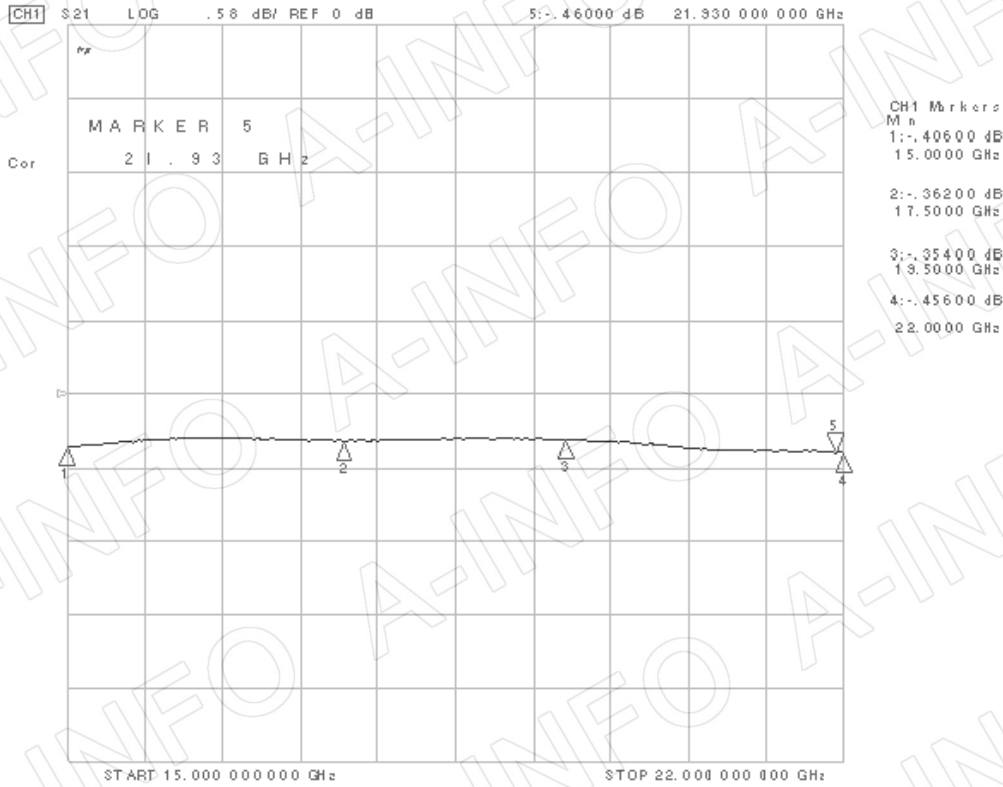
(+86) 10-6266-7327
(+86) 28-8519-3044
(+1) 949-639-9608

Fax: (+86) 10-6266-7379
Fax: (+86) 28-8519-3068
Fax: (+1) 949-639-9670

Website: www.ainfoinc.com
Email: sales@ainfoinc.com

Test results

I. L. (Test with two adapters back to back)



VSWR

