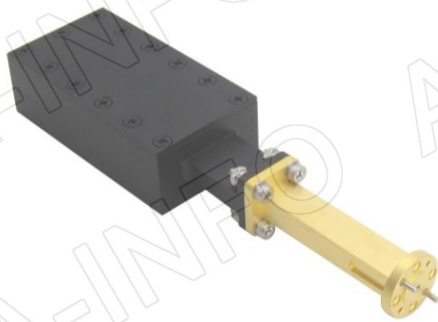
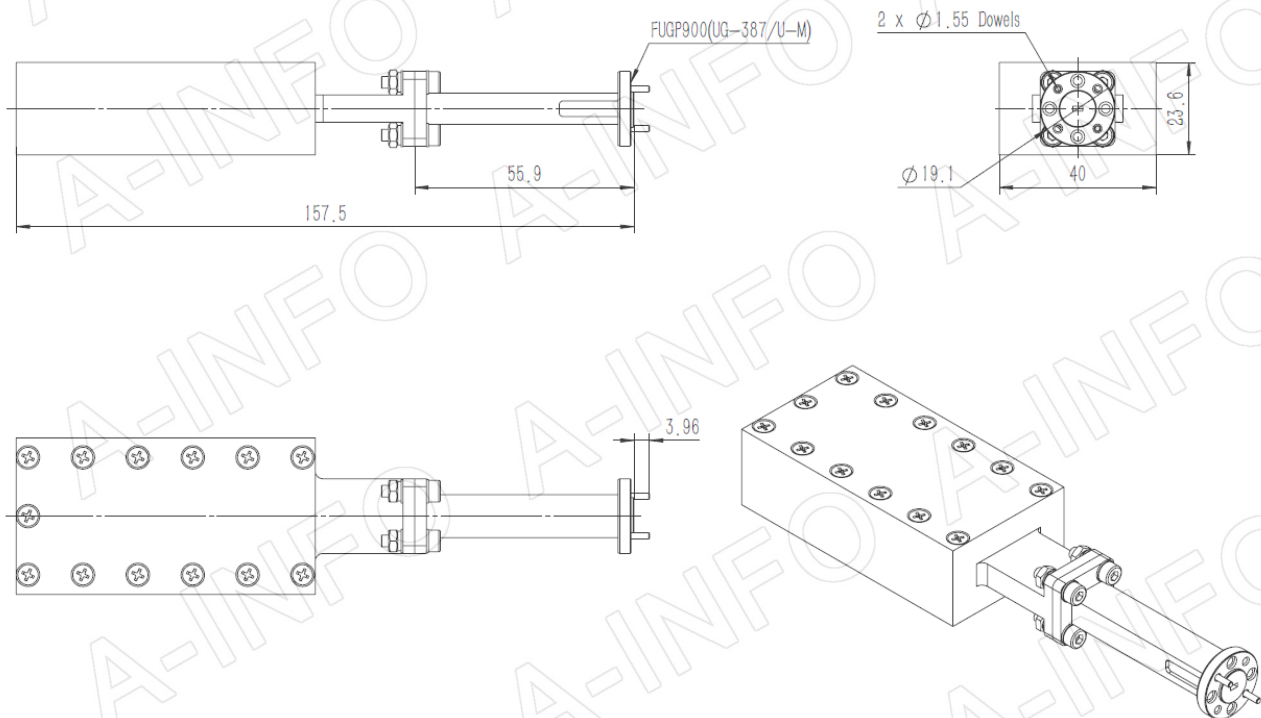


Technical Specification

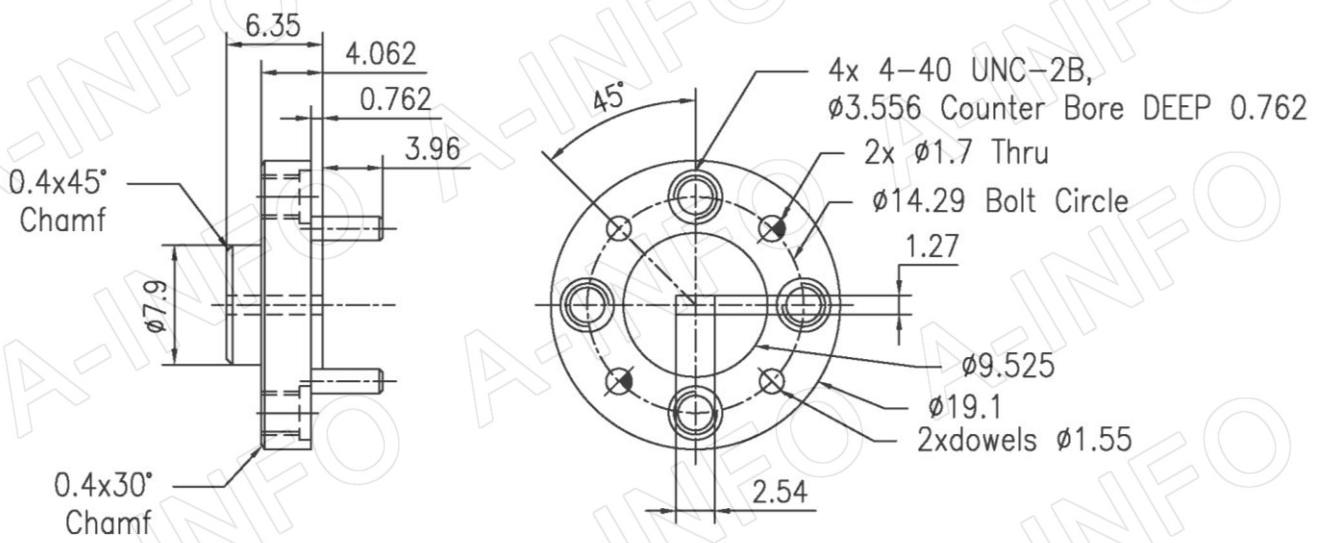


EIA WR	WR10
Frequency Range(GHz)	75.0 - 110.0
VSWR	1.20:1 Max.
Average Power(W CW)	25
Peak Power(KW)	15
Flange	FUGP900(UG-387/U-M)
Material	Al
Size(mm)	157.5 x 40 x 23.6
Net Weight(Kg)	0.25 Around

Outline Drawing (Size: mm)



Flange Drawing (Size: mm)



FUGP900

(equivalent to UG-387/U-M)

Test Results

VSWR

Trc1 S22 SWR 200 mU/ Ref 1 U Cal 1 (Max)

