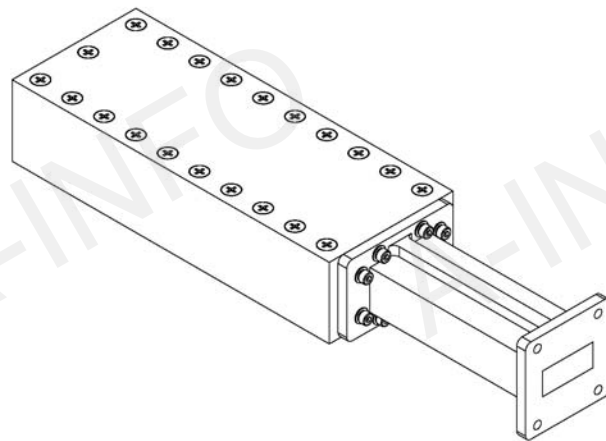
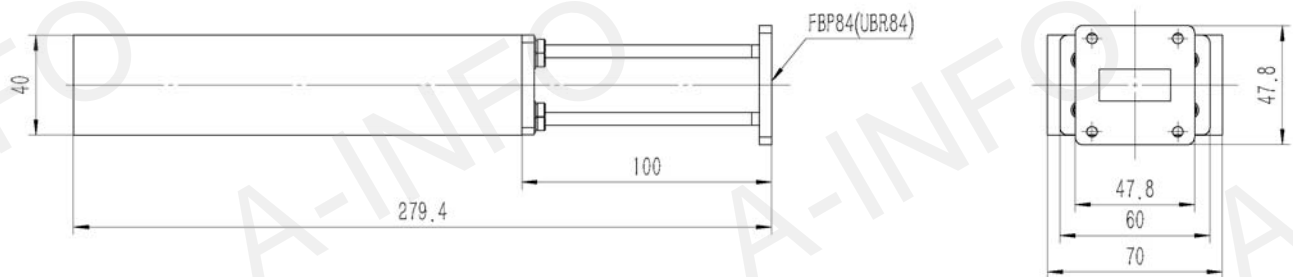


## Technical Specification

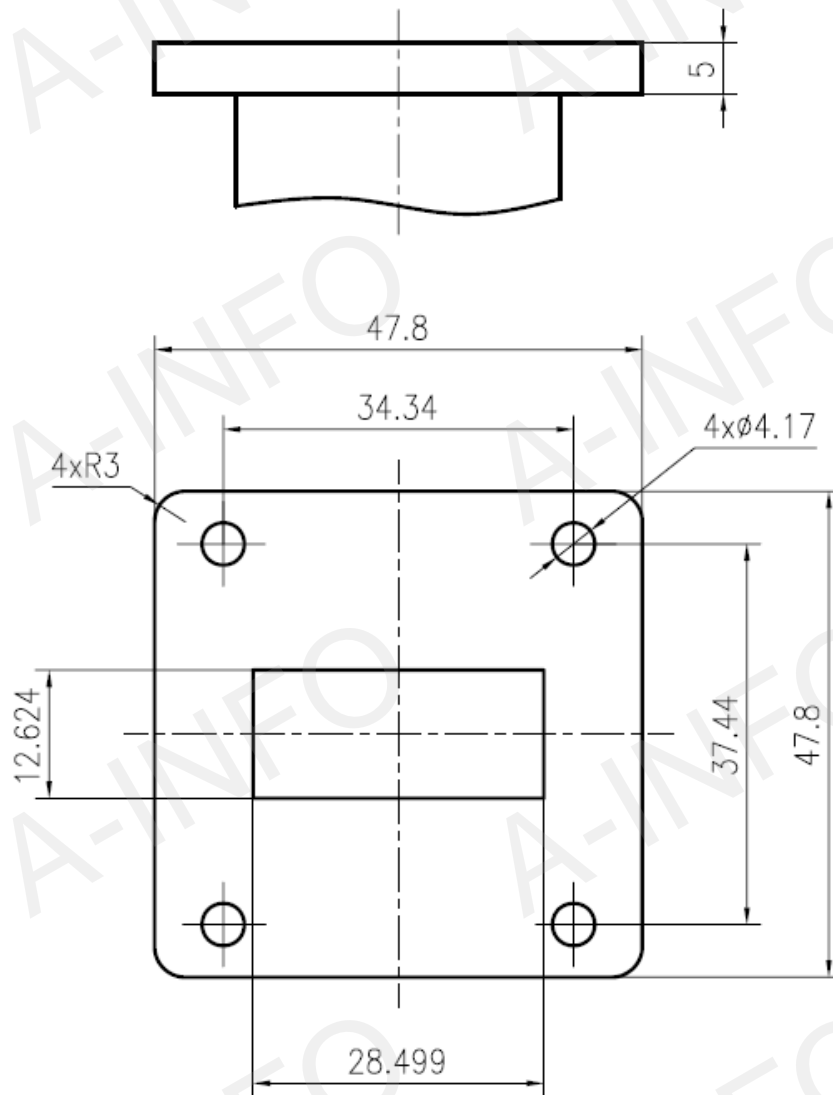


EIA WR	WR112
Frequency Range(GHz)	7.05 – 10.0
VSWR	1.15:1 Max.
Average Power(W CW)	425
Peak Power(KW)	400
Flange	FBP84(UBR84)
Material	Al
Size(mm)	279.4 x 70 x 47.8
Net Weight(Kg)	1.40 Around

## Outline Drawing (Size: mm)



## Flange Drawing (Size: mm)



### FBP84

**AINFO Inc.**

China(Beijing):  
China(Chengdu):  
USA :

Tel: (+86) 10-6266-7326,  
Tel: (+86) 28-8519-2786,  
Tel: (+1) 949-639-9688,

(+86) 10-6266-7327  
(+86) 28-8519-3044  
(+1) 949-639-9608

Page 2 of 3  
Fax: (+86) 10-6266-7379  
Fax: (+86) 28-8519-3068  
Fax: (+1) 949-639-9670

Website: [www.ainfoinc.com](http://www.ainfoinc.com)  
Email: [sales@ainfoinc.com](mailto:sales@ainfoinc.com)

## Test Results

### VSWR

