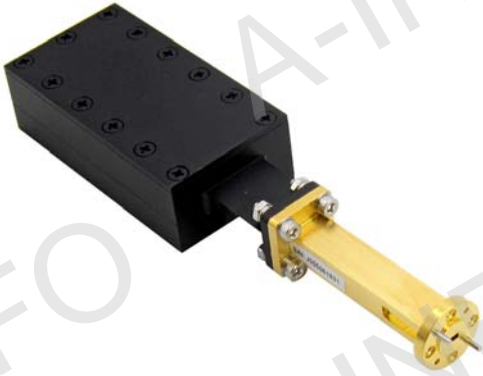
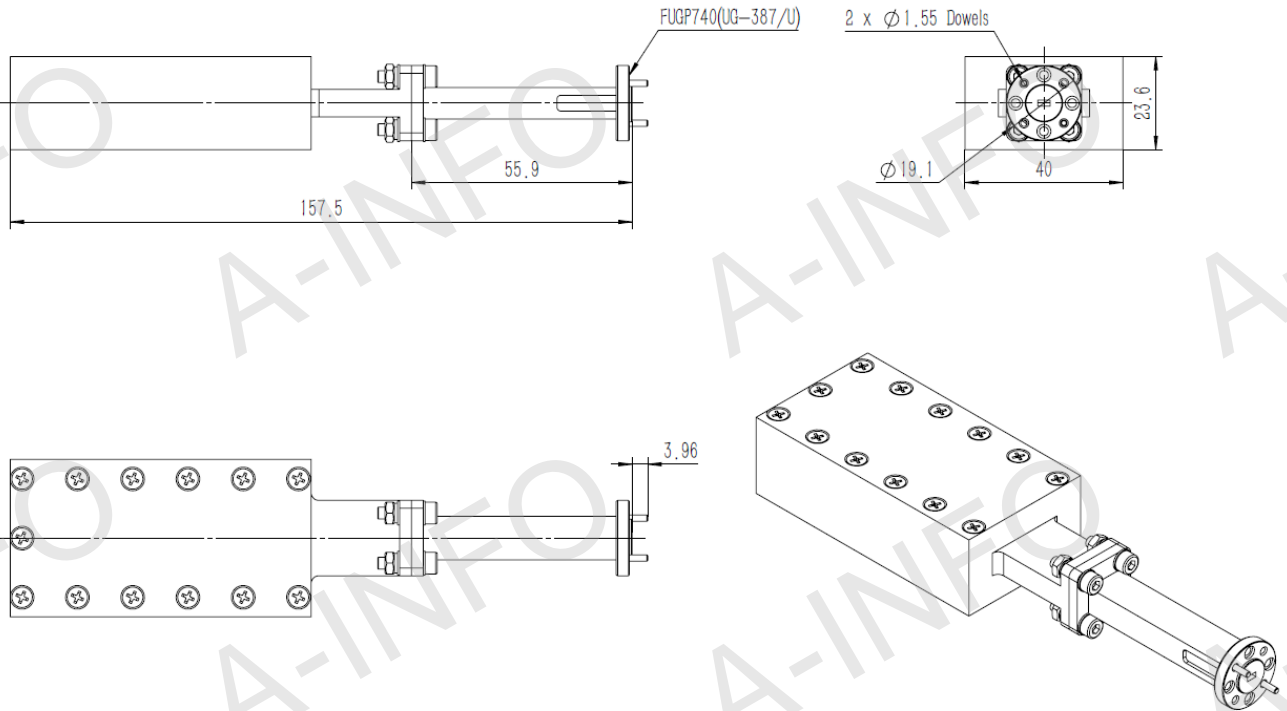


## Technical Specification

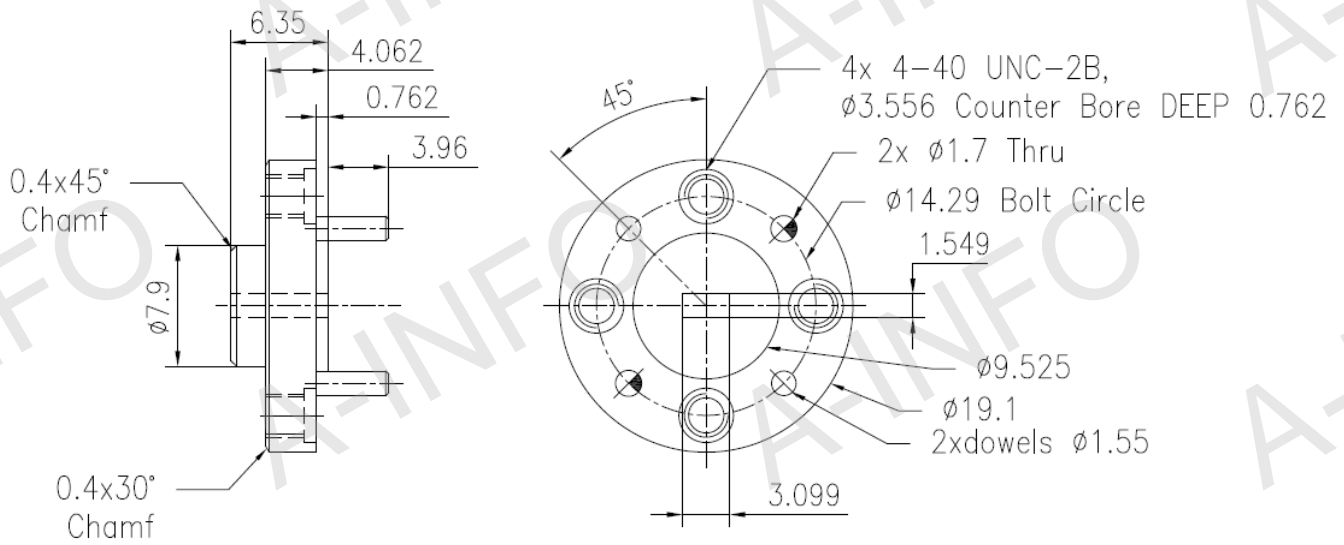


EIA WR	WR12
Frequency Range(GHz)	60.0-90.0
VSWR	1.2:1 Max.
Average Power(W)	30 CW
Peak Power(KW)	20
Flange	FUGP740(UG-387/U)
Material	Al
Size(mm)	157.5 x 40 x 23.6
Net Weight(Kg)	0.25 Around

## Outline Drawing (Size: mm)



## Flange Drawing (Size: mm)



FUGP740  
(equivalent to UG-387/U)

## Test Results

### VSWR

