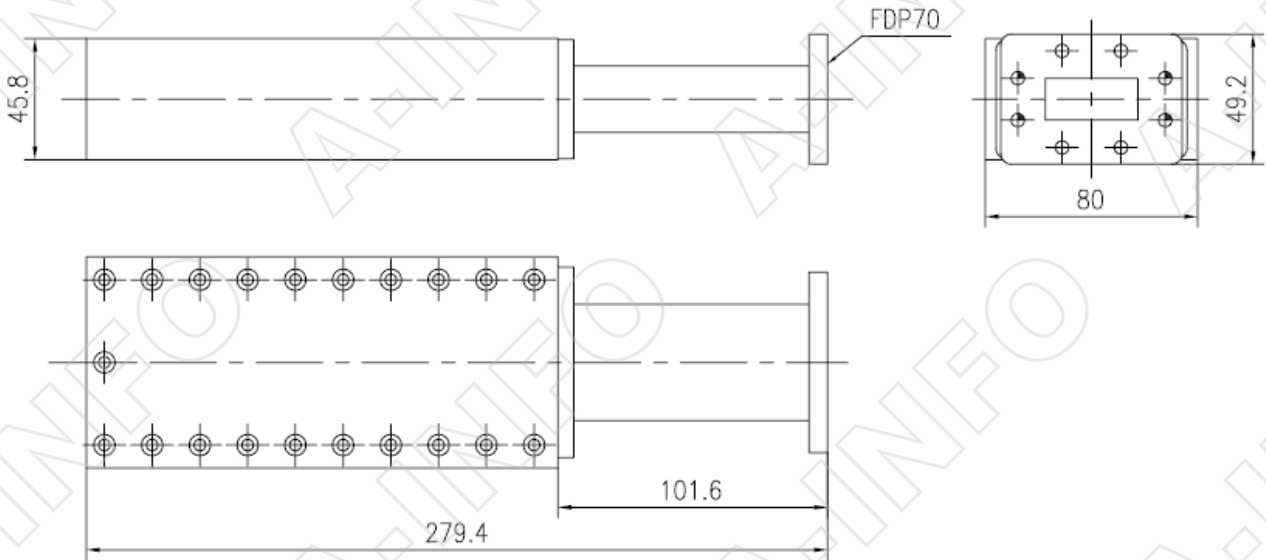


Technical Specification

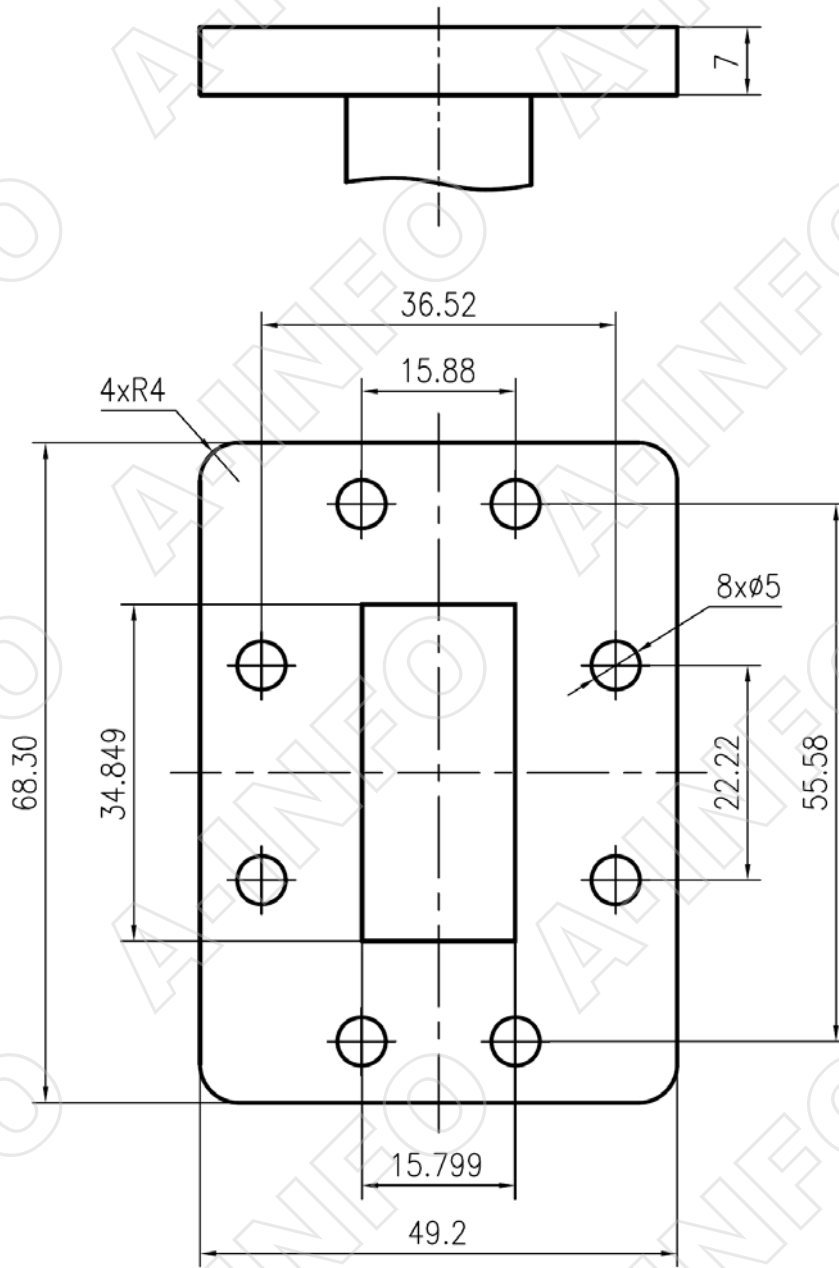


EIA WR	WR137
Frequency Range(GHz)	5.85 – 8.20
VSWR	1.15:1 Max.
Average Power(W)	500 CW
Peak Power(KW)	400
Flange	FDP70/FAP70/FEP70/ APF137/APF137C
Material	Al
Size(mm)	279.4X80X49.2
Net Weight(Kg)	1.8 Around

Outline Drawing (Size: mm)



Flange Drawing (Size: mm)



FDP70

Test Results

VSWR

