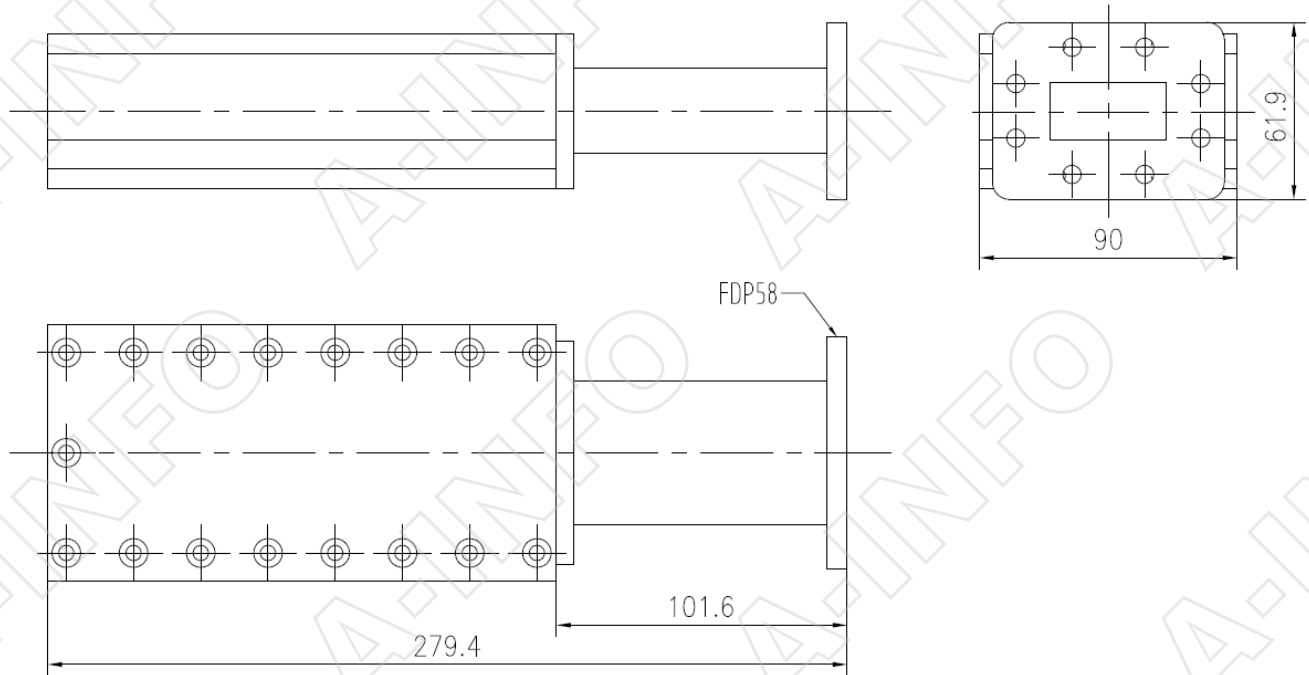


Technical Specification

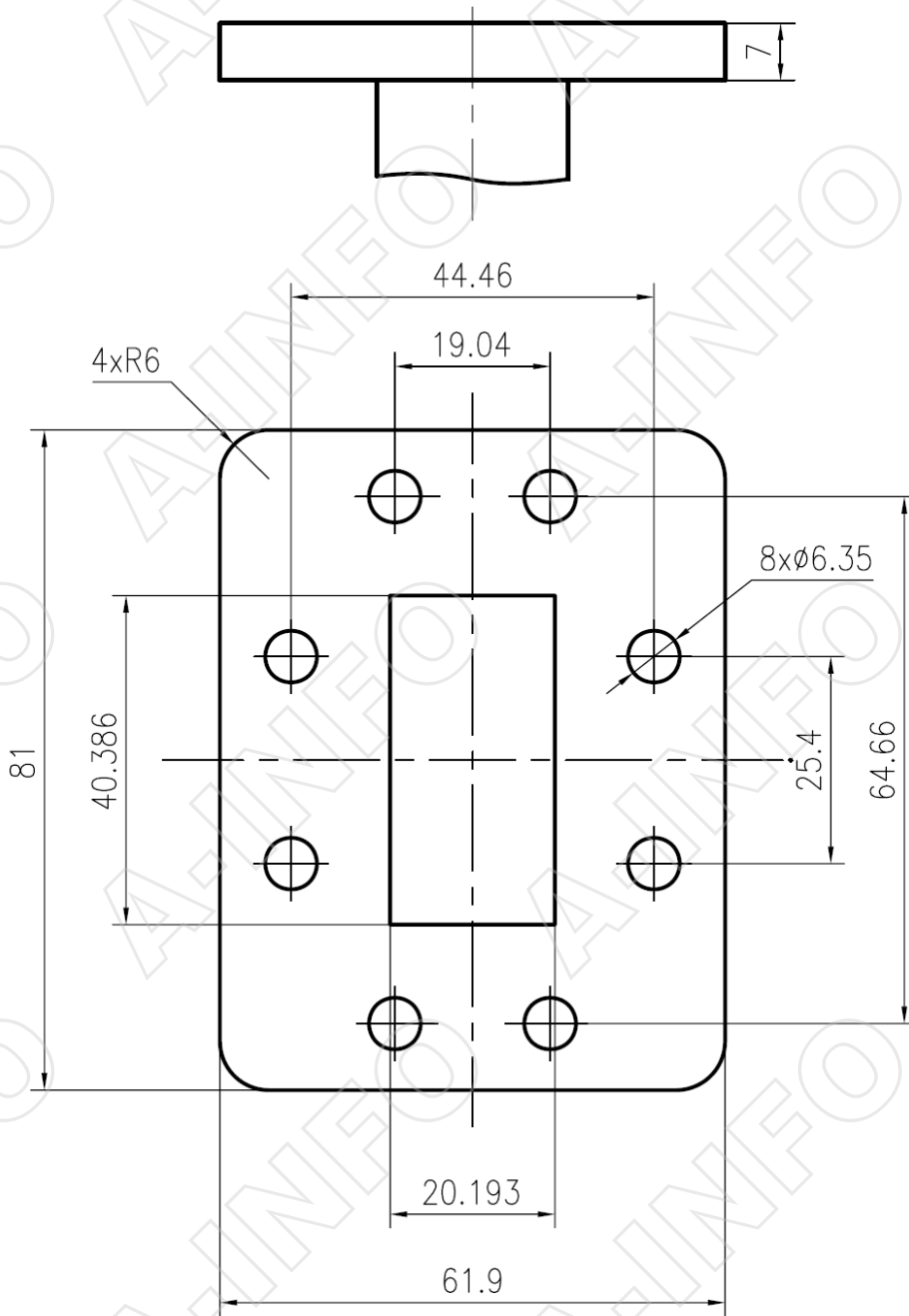


EIA WR	WR159
Frequency Range(GHz)	4.90 - 7.05
VSWR	1.15:1 Max.
Average Power(W)	625 CW
Peak Power(KW)	625
Flange	FDP58/FAP58/FEP58/ APF159/APF159B
Material	Al
Size(mm)	279.4X90X61.9
Net Weight(Kg)	2.35 Around

Outline Drawing (Size: mm)



Flange Drawing (Size: mm)



FDP58

Test Results

VSWR

