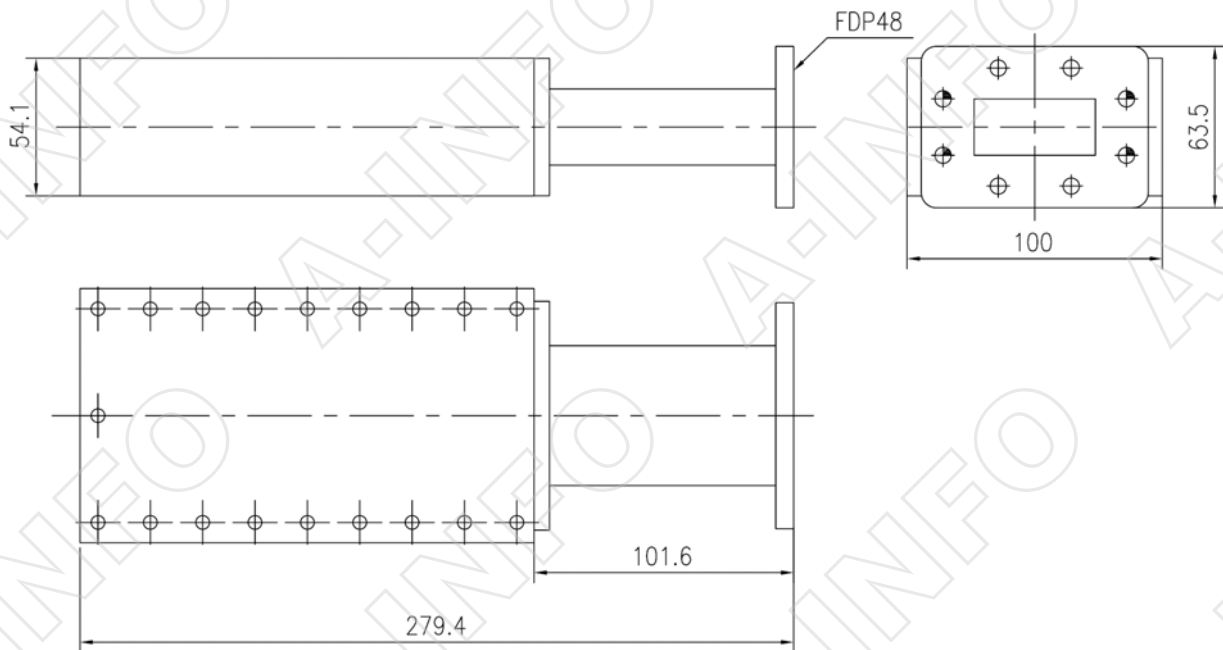


## Technical Specification

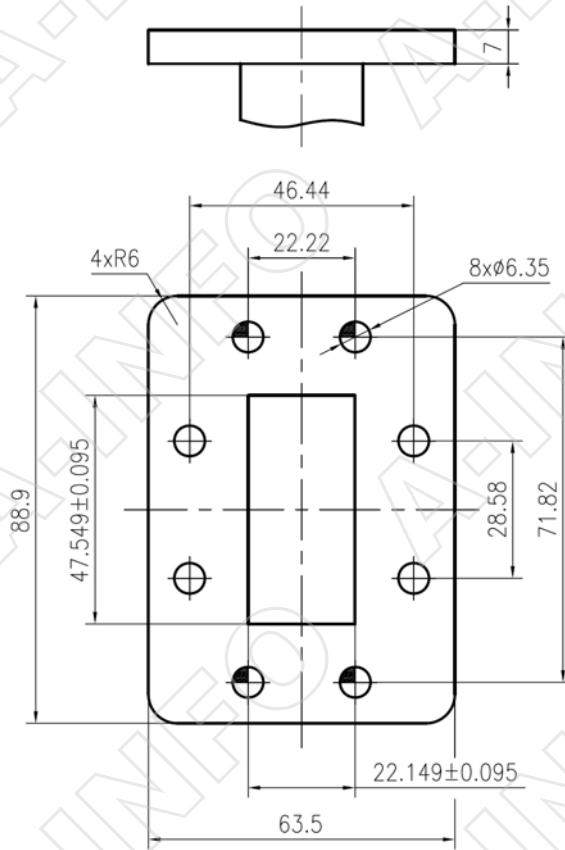


Frequency Range(GHz)	3.95 - 5.85
EIA WG	WR187
VSWR	1.15:1 Max.
Average Power(W)	750 CW
Peak Power(KW)	750
Flange	FDP48
Material	Al
Size(mm) LxBxC	279.4x100x63.5
Net Weight(Kg)	2.7 Around

## Outline Drawing (Size: mm)



## Flange Drawing



FDP48

## Test Results

### VSWR

