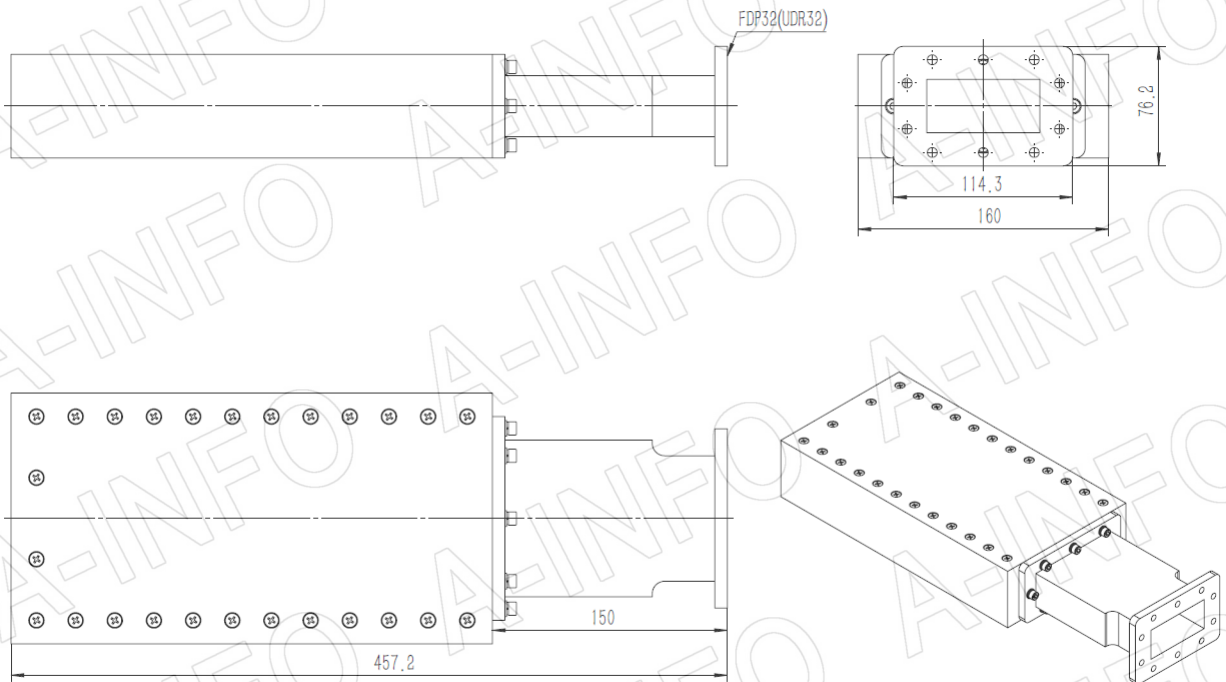


Technical Specification

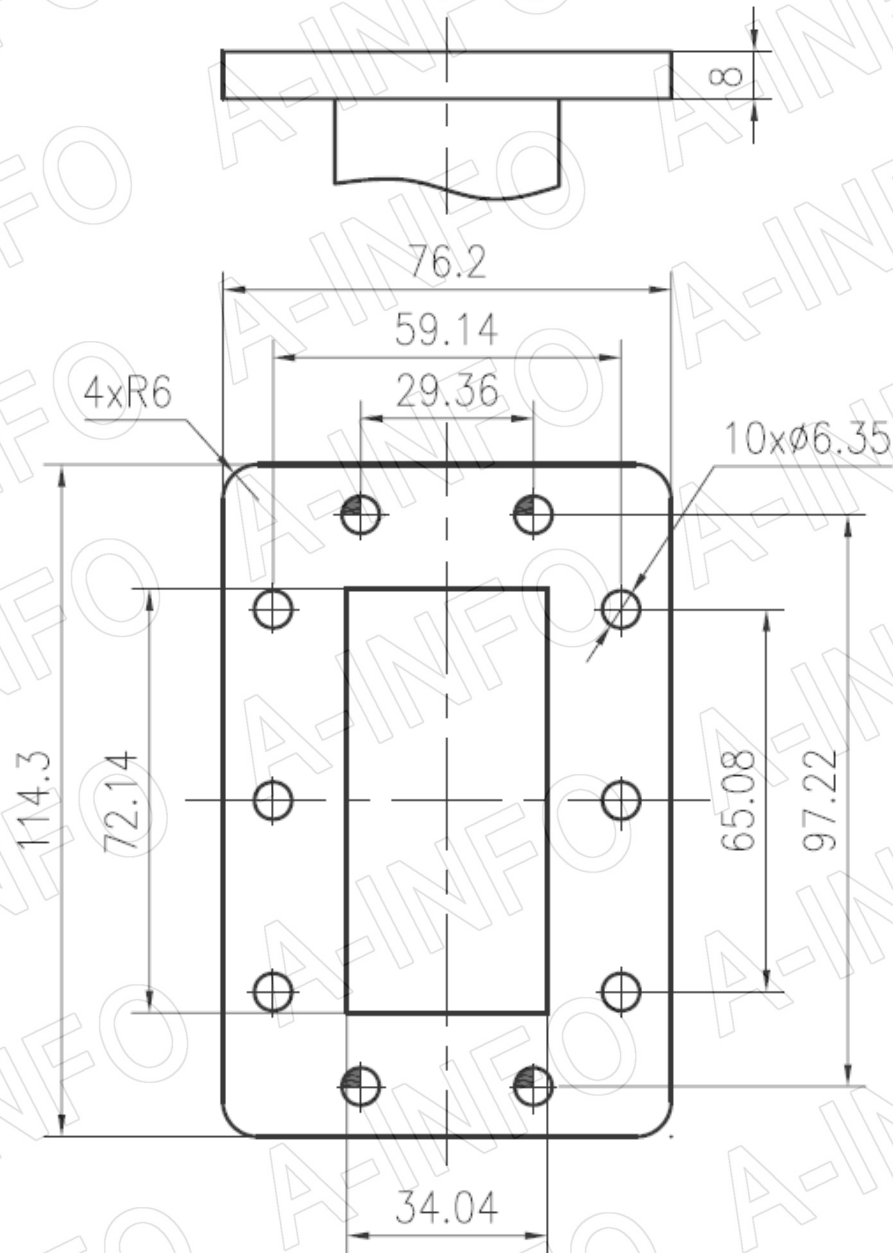


EIA WR	WR284
Frequency Range(GHz)	2.60 – 3.95
VSWR	1.15:1 Max.
Average Power(W CW)	1200
Peak Power(KW)	800
Flange	FDP32(UDR32)
Material	Al
Size(mm)	457.2 x 160 x 76.2
Net Weight(Kg)	7.88 Around

Outline Drawing (Size: mm)



Flange Drawing (Size: mm)



FDP32

AINFO Inc.

Page 2 of 3

China(Beijing):
China(Chengdu):
USA :

Tel: (+86) 10-6266-7326,
Tel: (+86) 28-8519-2786,
Tel: (+1) 949-639-9688,

(+86) 10-6266-7327
(+86) 28-8519-3044
(+1) 949-639-9608

Fax: (+86) 10-6266-7379
Fax: (+86) 28-8519-3068
Fax: (+1) 949-639-9670

Website: www.ainfoinc.com
Email: sales@ainfoinc.com

Test Results

VSWR

