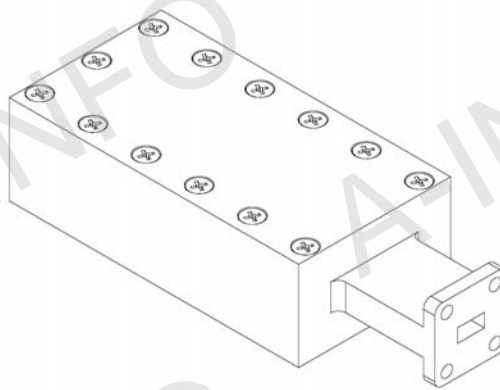
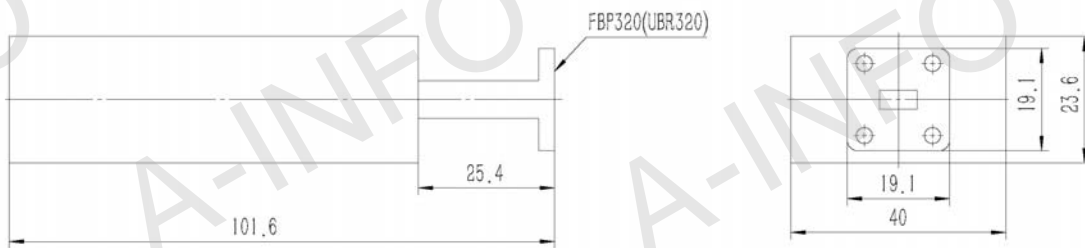


Technical Specification

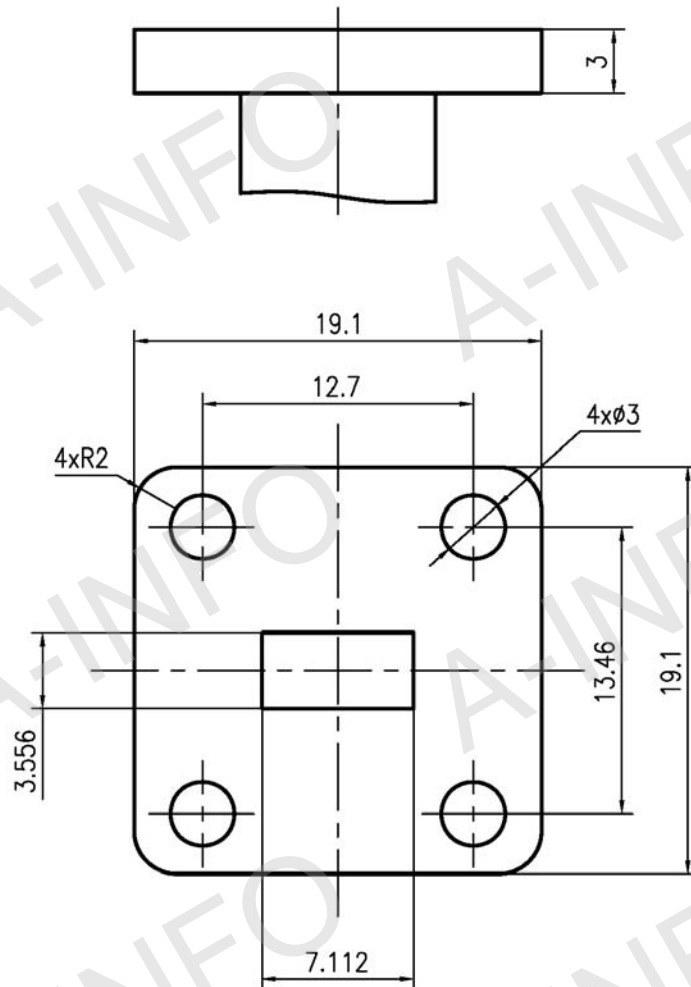


| | |
|----------------------|-------------------|
| EIA WR | WR28 |
| Frequency Range(GHz) | 26.5 – 40.0 |
| VSWR | 1.20:1 Max. |
| Average Power(W CW) | 75 |
| Peak Power(KW) | 50 |
| Flange | FBP320(UBR320) |
| Material | Al |
| Size(mm) | 101.6 x 40 x 23.6 |
| Net Weight(Kg) | 0.25 Around |

Outline Drawing (Size: mm)



Flange Drawing (Size: mm)



FBP320

AINFO Inc.

Page 2 of 3

China(Beijing):
China(Chengdu):
USA :

Tel: (+86) 10-6266-7326,
Tel: (+86) 28-8519-2786,
Tel: (+1) 949-639-9688,

(+86) 10-6266-7327
(+86) 28-8519-3044
(+1) 949-639-9608

Fax: (+86) 10-6266-7379
Fax: (+86) 28-8519-3068
Fax: (+1) 949-639-9670

Website: www.ainfoinc.com
Email: sales@ainfoinc.com

Test Results

VSWR

