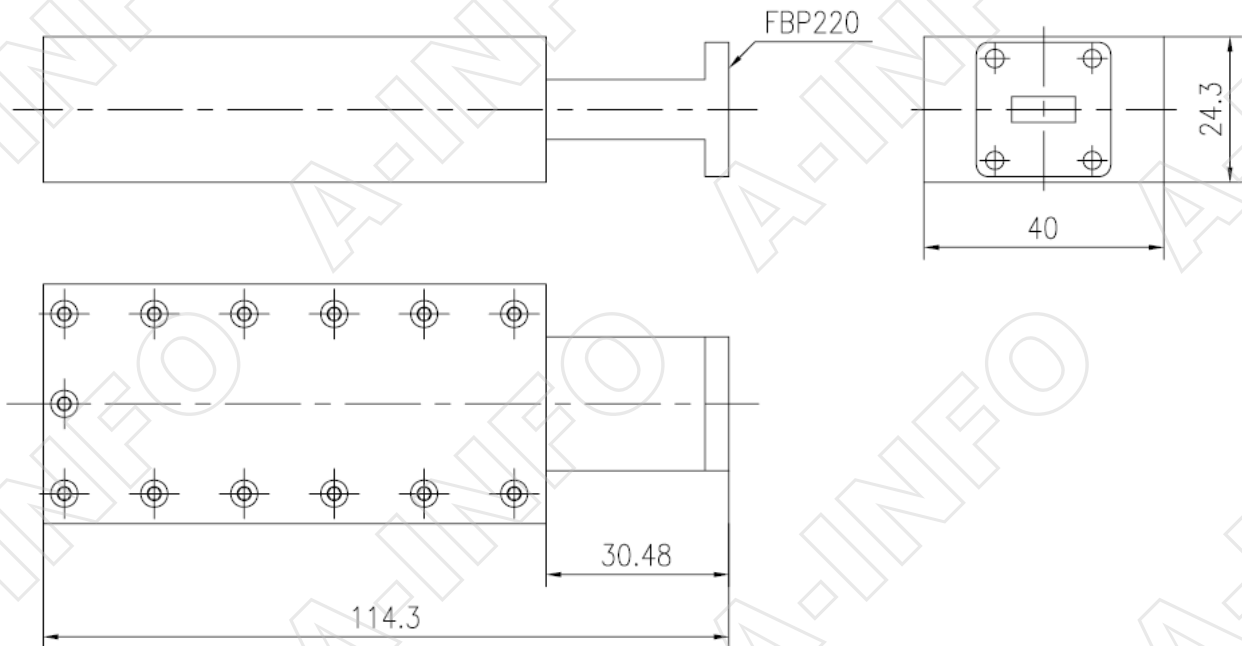


Technical Specification

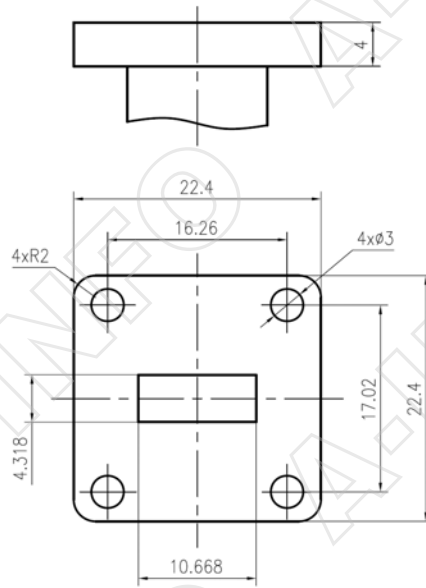


EIA WG	WR42
Frequency Range(GHz)	18.0-26.5
VSWR	1.20:1 Max.
Average Power(W)	100 CW
Peak Power(KW)	120
Flange	FBP220
Material	Al
Size(mm)	114.3x40x24.3
Net Weight(Kg)	0.25 Around

Outline Drawing (Size: mm)



Flange Drawing (Size: mm)



FBP220

Test Results

VSWR

