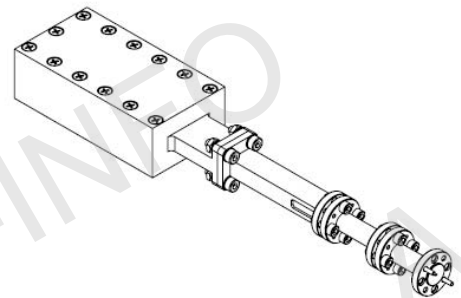
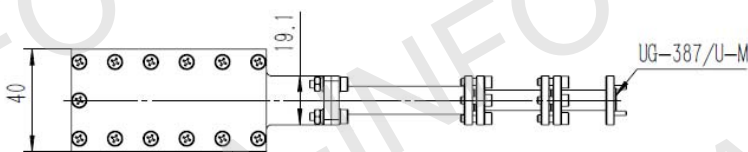
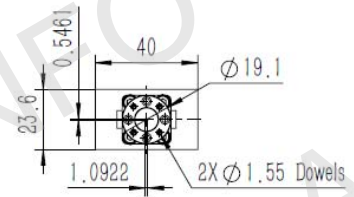
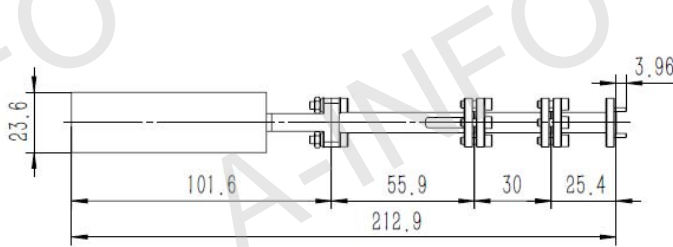


Technical Specification

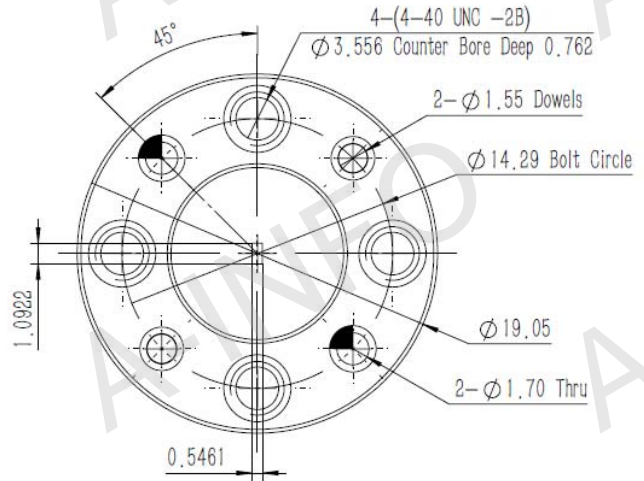
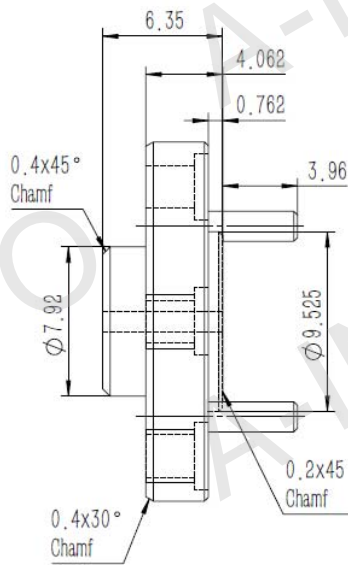


| | |
|----------------------|-------------------|
| EIA WR | WR4 |
| Frequency Range(GHz) | 170.0 - 260.0 |
| VSWR | 1.8:1 Max. |
| Average Power(W) | 8 CW |
| Peak Power(KW) | 5 |
| Flange | UG-387/U-M |
| Material | Al |
| Size(mm) LxBxC | 212.9 x 40 x 23.6 |
| Net Weight(Kg) | 0.35 Around |

Outline Drawing (Size: mm)



Flange Drawing (Size: mm)



UG-387/U-M