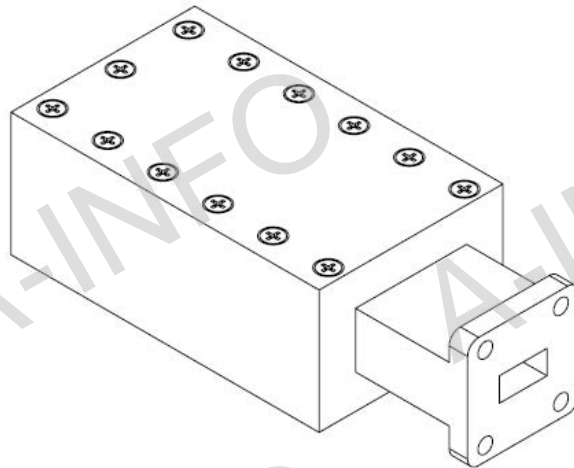
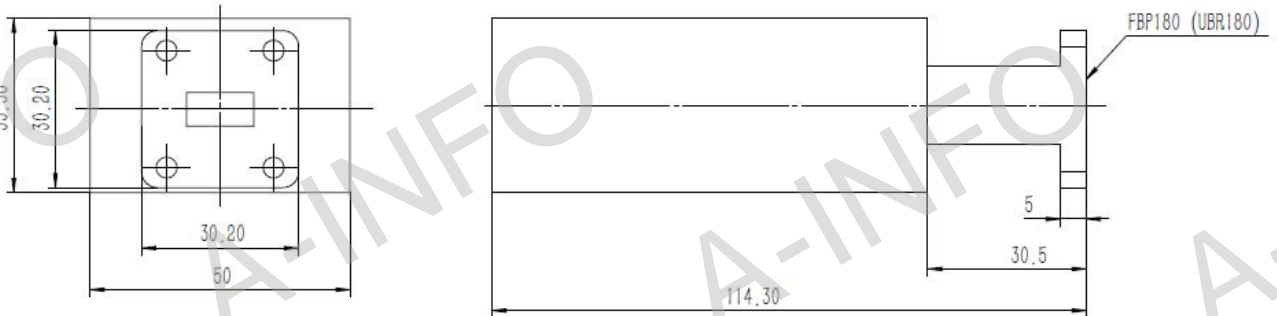


## Technical Specification



EIA WG	W51
Frequency Range(GHz)	15.0 - 22.0
VSWR	1.15:1 Max.
Average Power(W)	100 CW
Peak Power(KW)	120
Flange	FBP180(UBR180)
Material	Al
Size(mm)	50x33.58x114.3
Net. Weight(Kg)	0.4 Around

## Outline Drawing (Size: mm)



AINFO Inc.

Page 1 of 3

China(Beijing):  
China(Chengdu):  
USA :

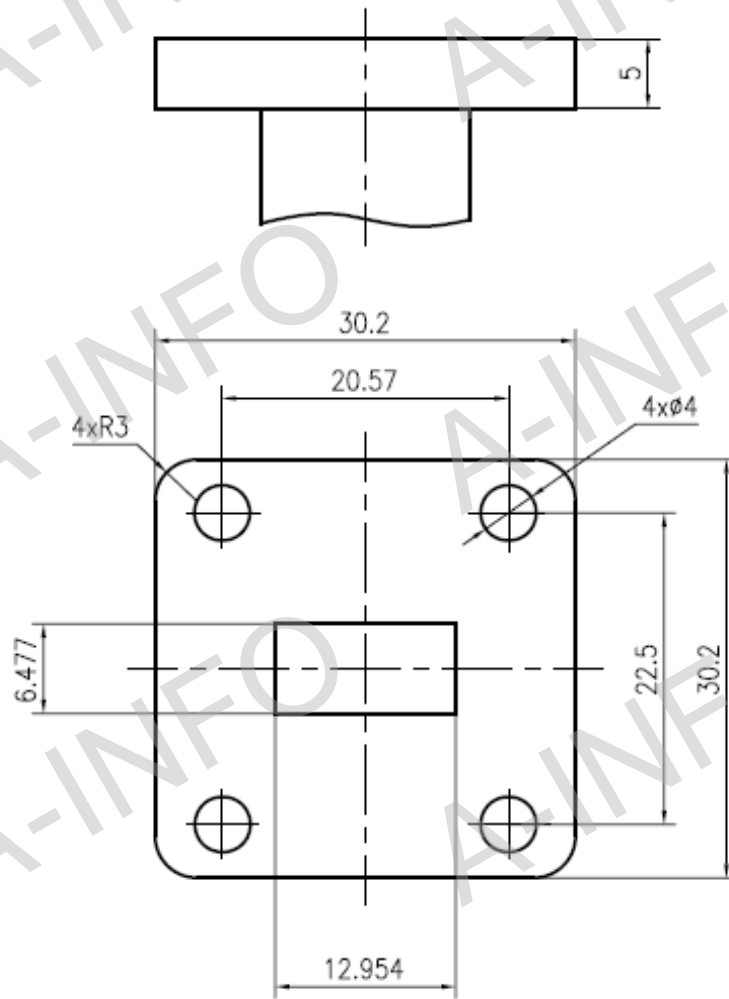
Tel: (+86) 10-6266-7326,  
Tel: (+86) 28-8519-2786,  
Tel: (+1) 949-346-7326,

(+86) 10-6266-7327  
(+86) 28-8519-3044  
(+1) 949-639-9660

Fax: (+86) 10-6266-7379  
Fax: (+86) 28-8519-3068  
Fax: (+1) 949-639-9659

Website: [www.ainfoinc.com](http://www.ainfoinc.com)  
Email: [sales@ainfoinc.com](mailto:sales@ainfoinc.com)

## Flange Drawing (Size: mm)



FBP180

AINFO Inc.

Page 2 of 3

China(Beijing):  
China(Chengdu):  
USA:

Tel: (+86) 10-6266-7326,  
Tel: (+86) 28-8519-2786,  
Tel: (+1) 949-346-7326,

(+86) 10-6266-7327  
(+86) 28-8519-3044  
(+1) 949-639-9660

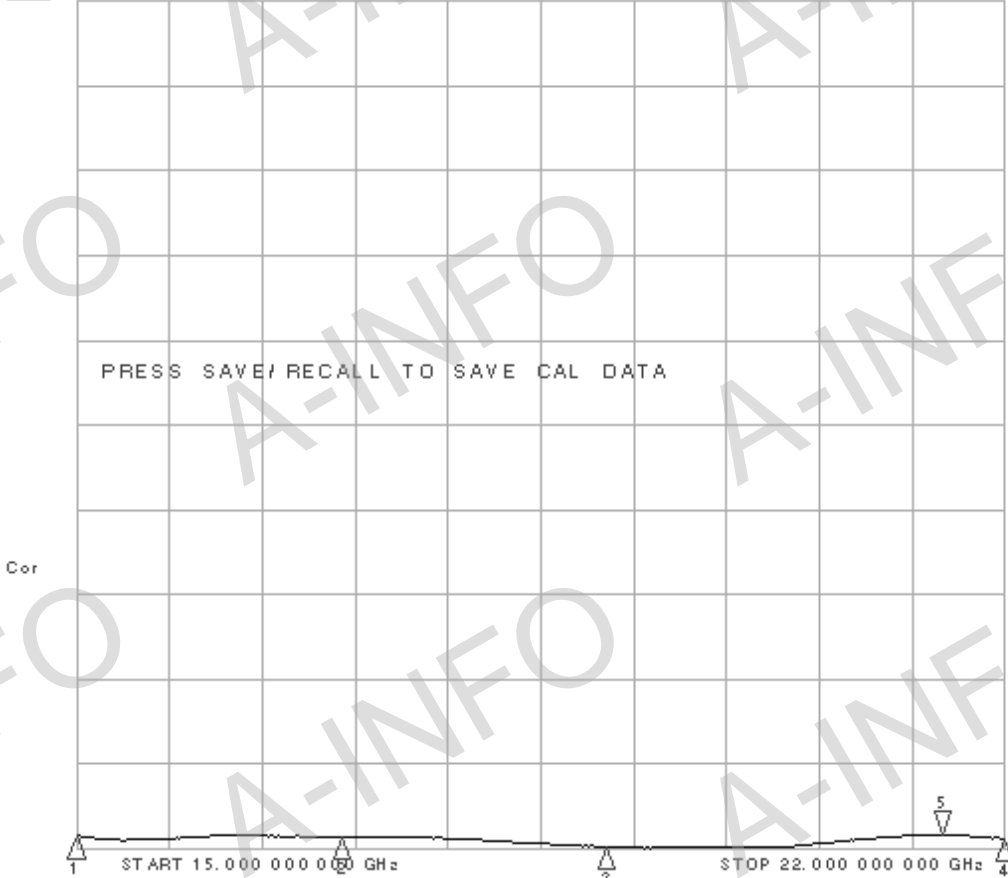
Fax: (+86) 10-6266-7379  
Fax: (+86) 28-8519-3068  
Fax: (+1) 949-639-9659

Website: [www.ainfoinc.com](http://www.ainfoinc.com)  
Email: [sales@ainfoinc.com](mailto:sales@ainfoinc.com)

## Test Results

### VSWR

CH2 S22 SWR 150 m / REF 1 5: 1.0259 21.527500000 GHz



CH2 Markers  
Max  
1: 1.0234  
15.0000 GHz  
2: 1.0216  
17.0000 GHz  
3: 1.0040  
18.0000 GHz  
4: 1.0183  
22.0000 GHz