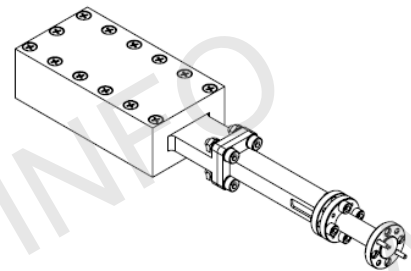
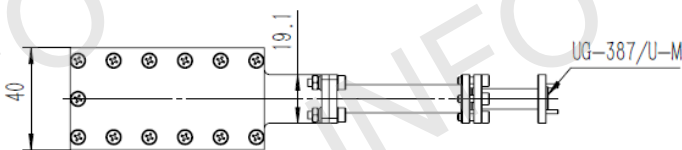
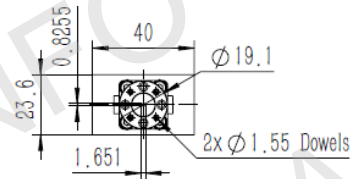
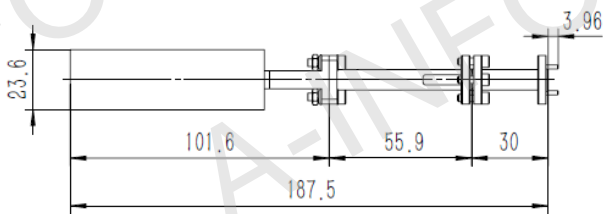


Technical Specification

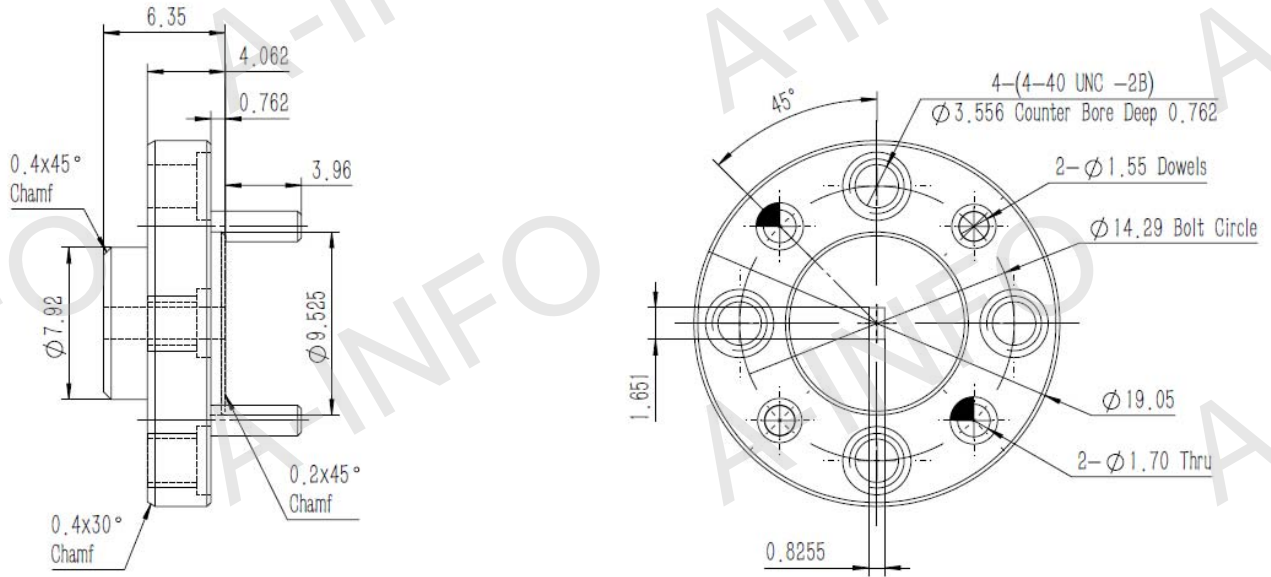


EIA WR	WR6
Frequency Range(GHz)	110.0 - 170.0
VSWR	1.4:1 Max.
Average Power(W)	15 CW
Peak Power(KW)	8
Flange	UG-387/U-M
Material	Al
Size(mm) LxBxC	187.5 x 40 x 23.6
Net Weight(Kg)	0.30 Around

Outline Drawing (Size: mm)



Flange Drawing (Size: mm)



UG-387/U-M

AINFO Inc.

Page 2 of 3

China(Beijing):
China(Chengdu):
USA:

Tel: (+86) 10-6266-7326,
Tel: (+86) 28-8519-2786,
Tel: (+1) 949-639-9688,

(+86) 10-6266-7327
(+86) 28-8519-3044
(+1) 949-639-9608

Fax: (+86) 10-6266-7379
Fax: (+86) 28-8519-3068
Fax: (+1) 949-639-9670

Website: www.ainfoinc.com
Email: sales@ainfoinc.com

Test Results

VSWR

