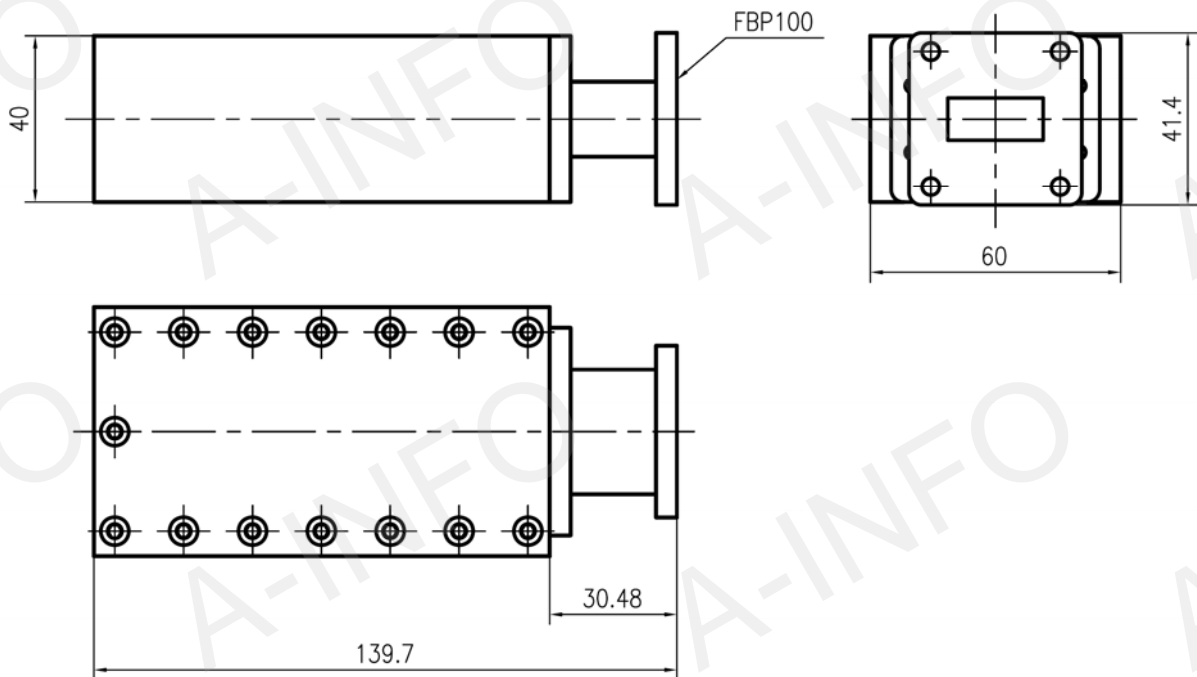


## Technical Specification

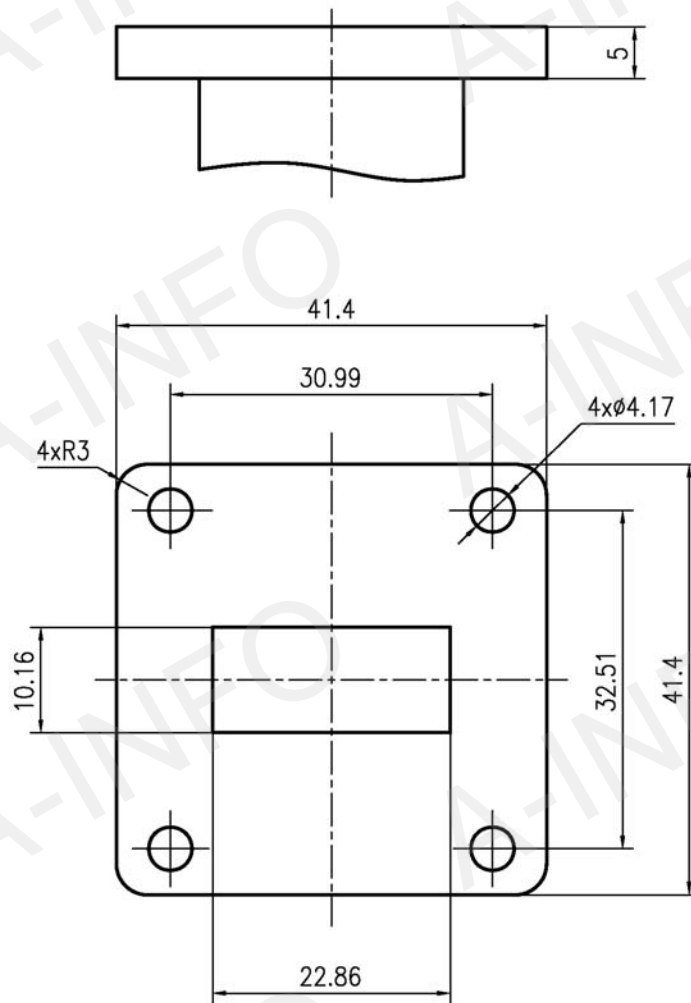


EIA WR	WR90
Frequency Range(GHz)	8.2 - 12.4
VSWR	1.15:1 Max.
Average Power(W CW)	225
Peak Power(KW)	225
Flange	FBP100(UBR100)
Material	Al
Size(mm)	139.7 x 60 x 41.4
Net Weight(Kg)	0.75 Around

## Outline Drawing (Size: mm)



## Flange Drawing (Size: mm)



**FBP100**

## Test Results

### VSWR

