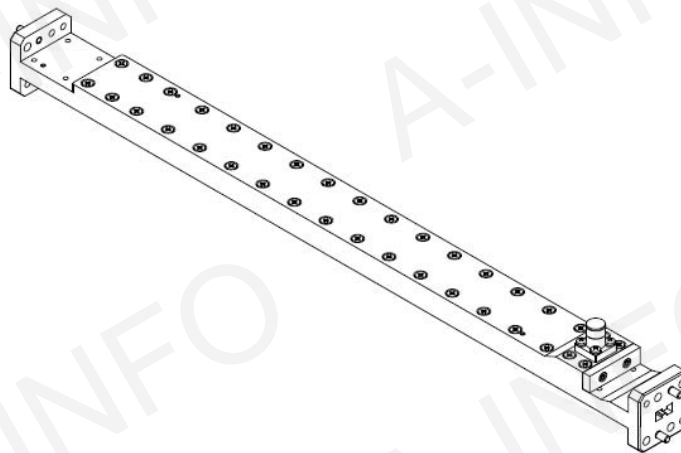
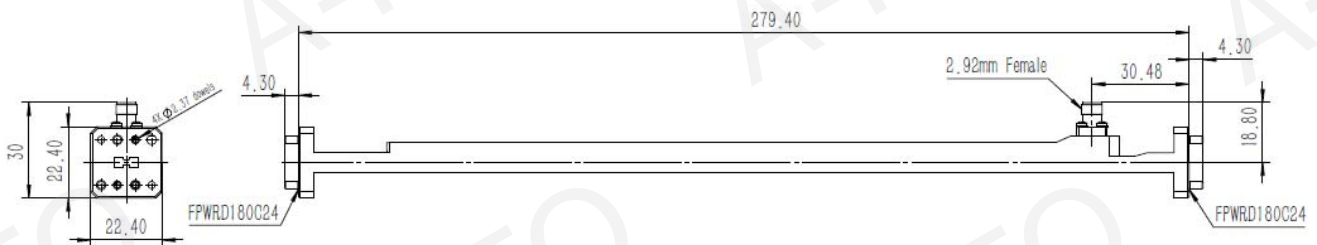


## Technical Specification



EIA WRD	WRD180
Frequency Range(GHz)	18.0-40.0
Coupling(dB)	40
Coupling Accuracy(dB)	±1.5
Frequency Sensitivity(dB)	±1.5
Directivity(dB)	30 Min.
Mainline VSWR	1.25 Max.
Secondline VSWR	1.50 Max.
Flange	FPWRD180C24
Coupling Port	2.92mm-Female
Material	Cu
Net Weight(Kg)	0.4 Around

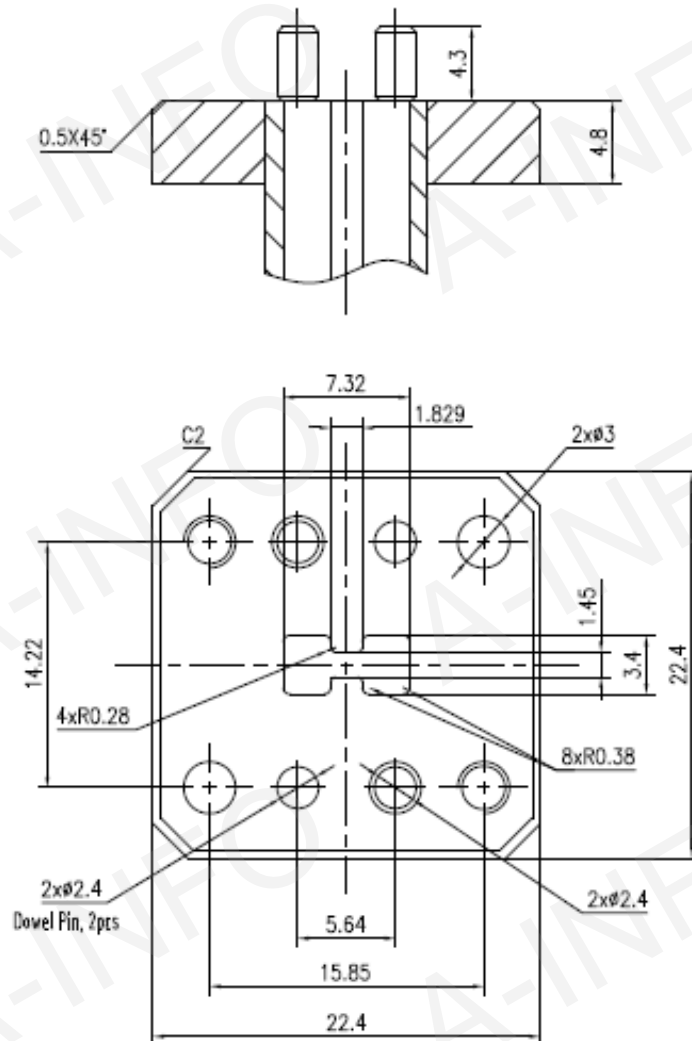
## Outline Drawing (Size: mm)



## Flange Drawing (Size: mm)

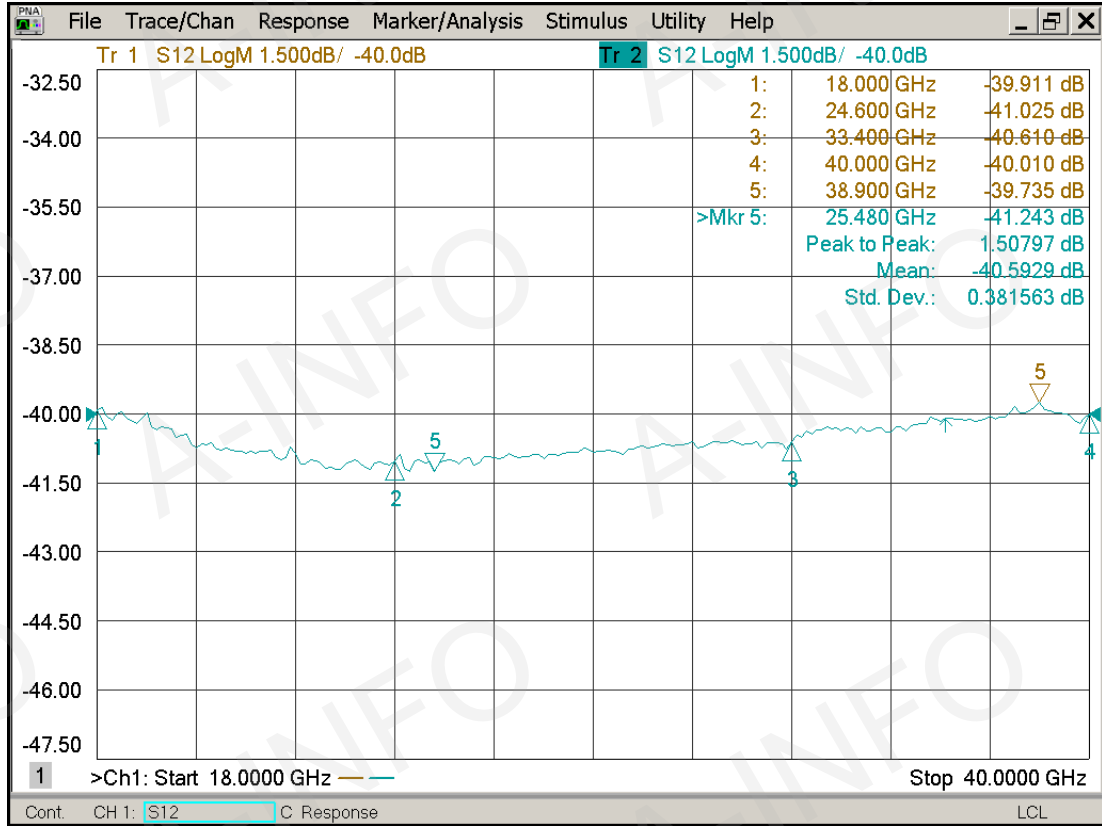
### FPWRD180C24

(With two through mounting holes  
and two screws holes)

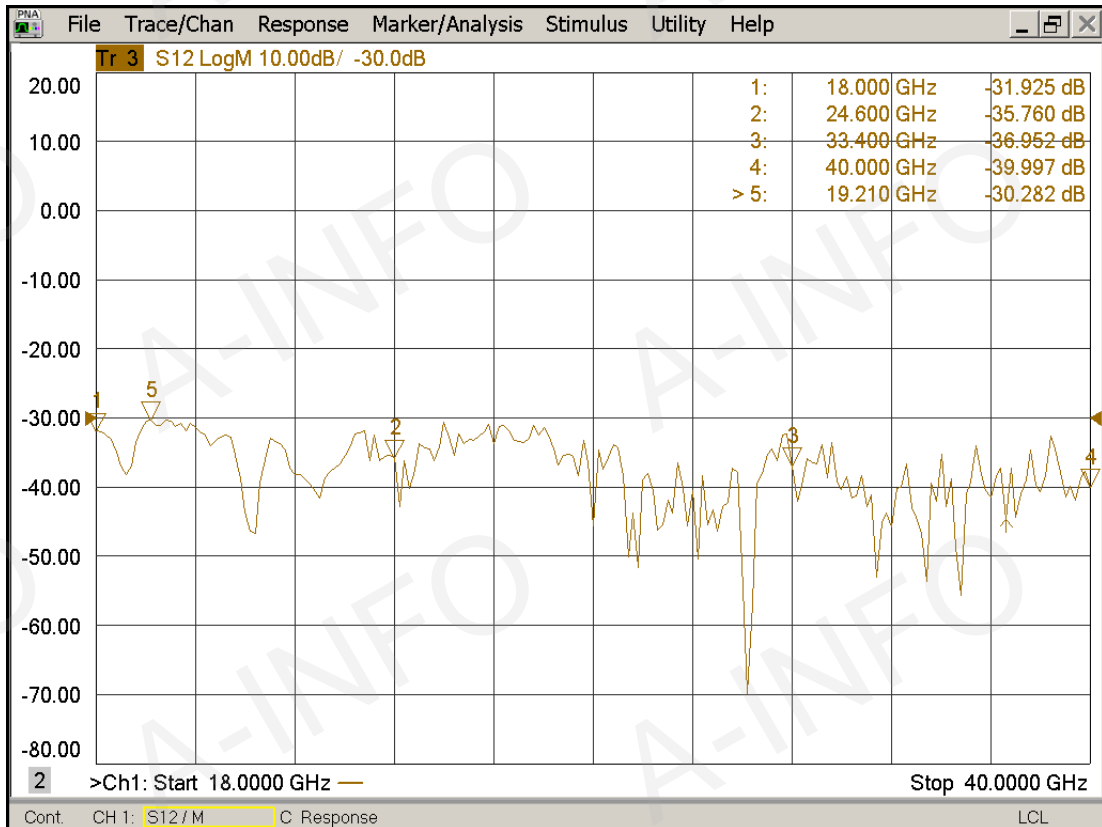


## Test Results

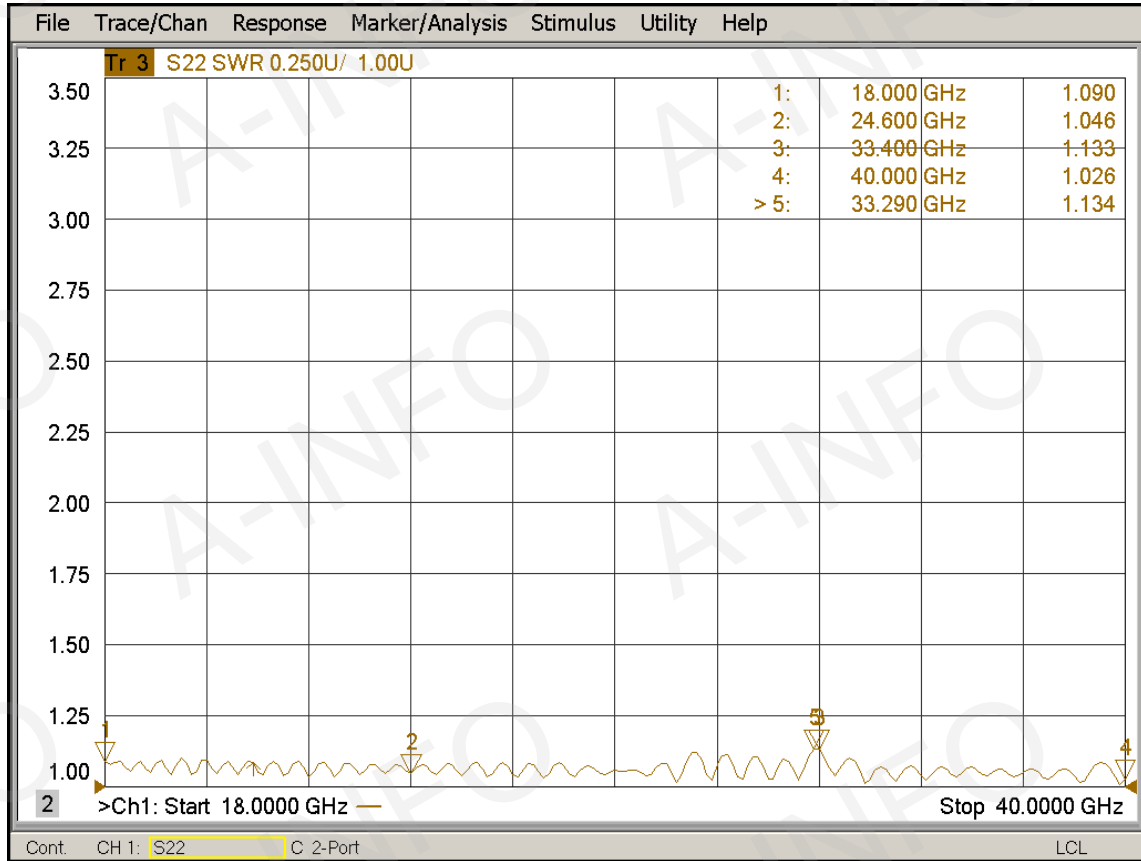
### Coupling



### Directivity



## Mainline VSWR



## Secondline VSWR

