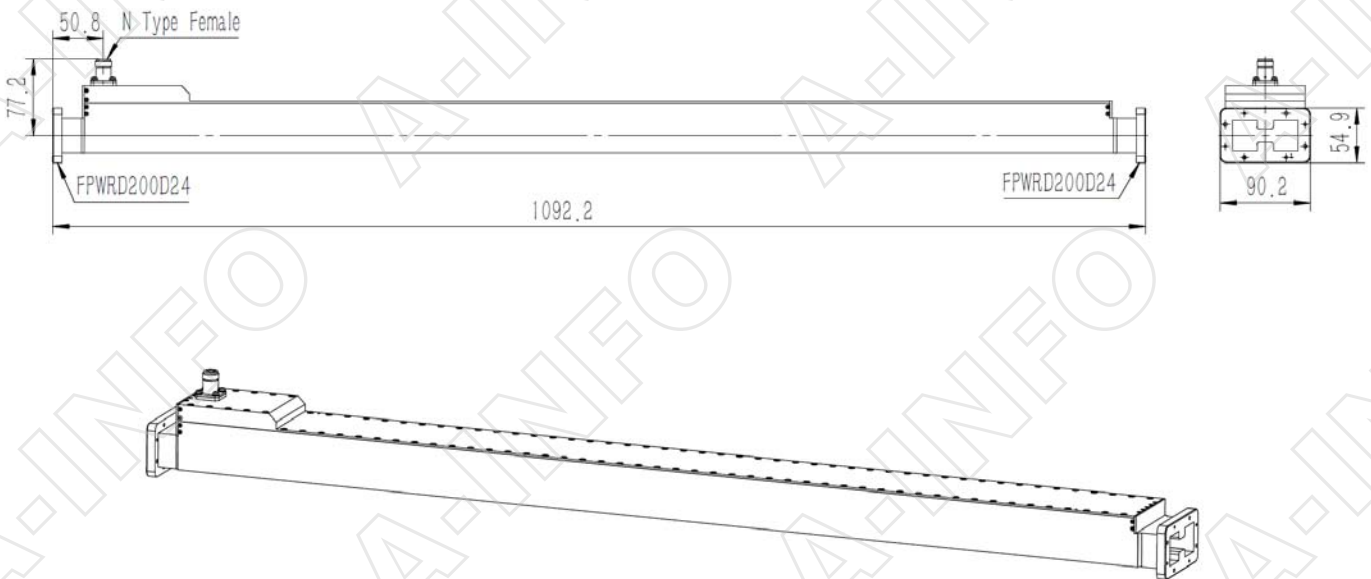


## Technical Specification



EIA WRD	WRD200
Frequency Range(GHz)	2.0-4.8
Coupling(dB)	40
Coupling Accuracy(dB)	±1.5
Frequency Sensitivity(dB)	±1.5
Directivity(dB)	30 min
Mainline VSWR	1.15 max
Secondline VSWR	1.50 max
Flange	FPWRD200D24
Coupling Port	N-Female
Material	Al
Net Weight(Kg)	5.3 Around

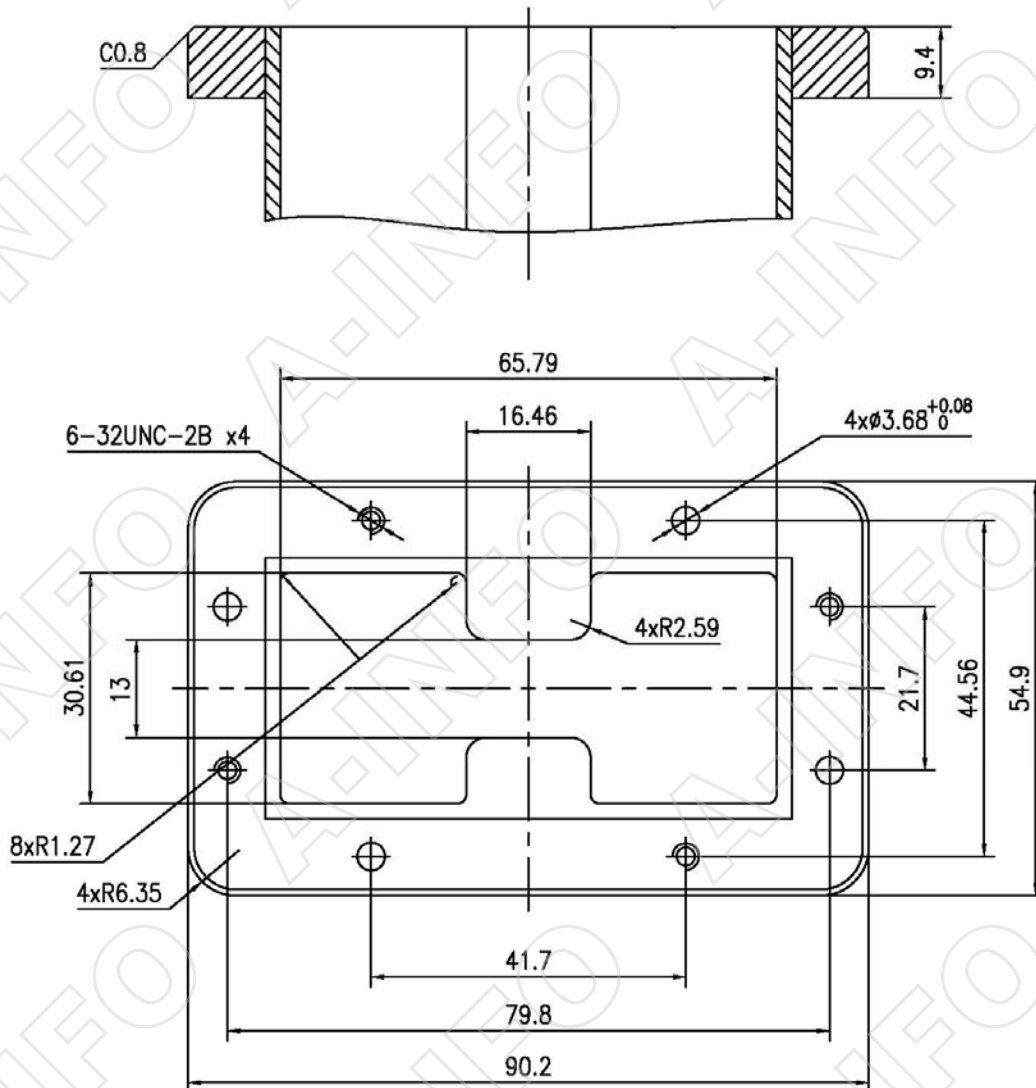
## Outline Drawing (Size: mm)



## Flange Drawing (Size: mm)

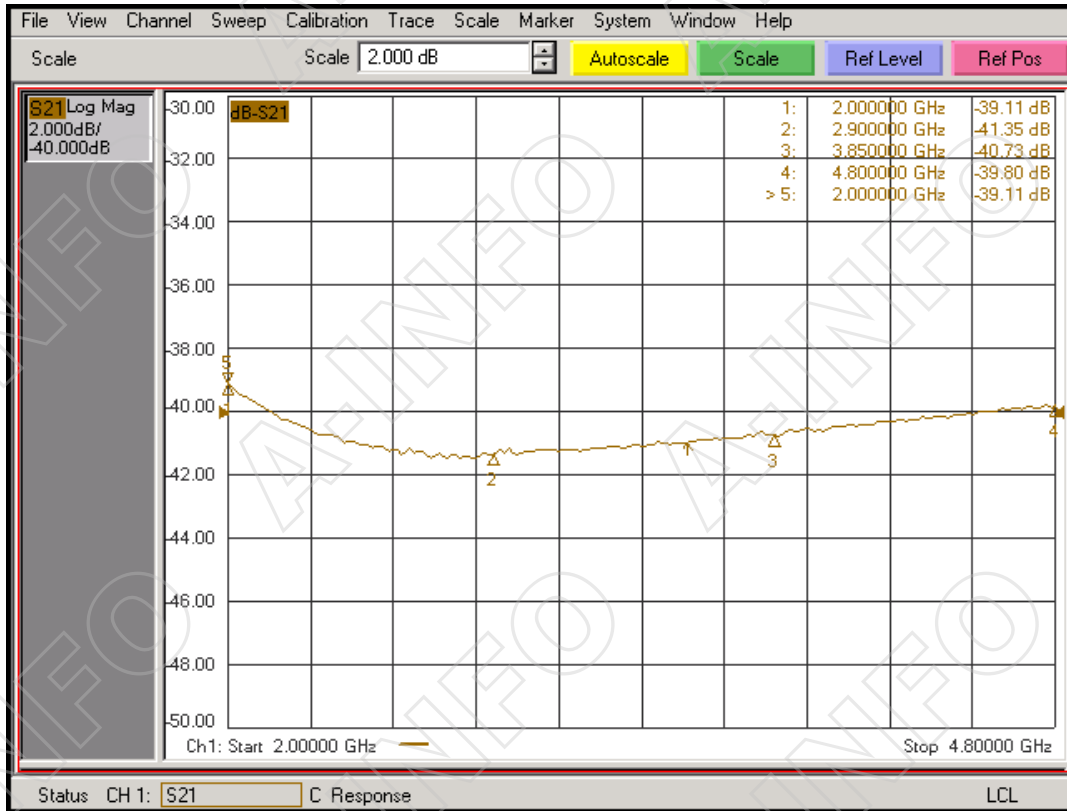
### FPWRD200D24

(With four through mounting holes  
and four screws holes)

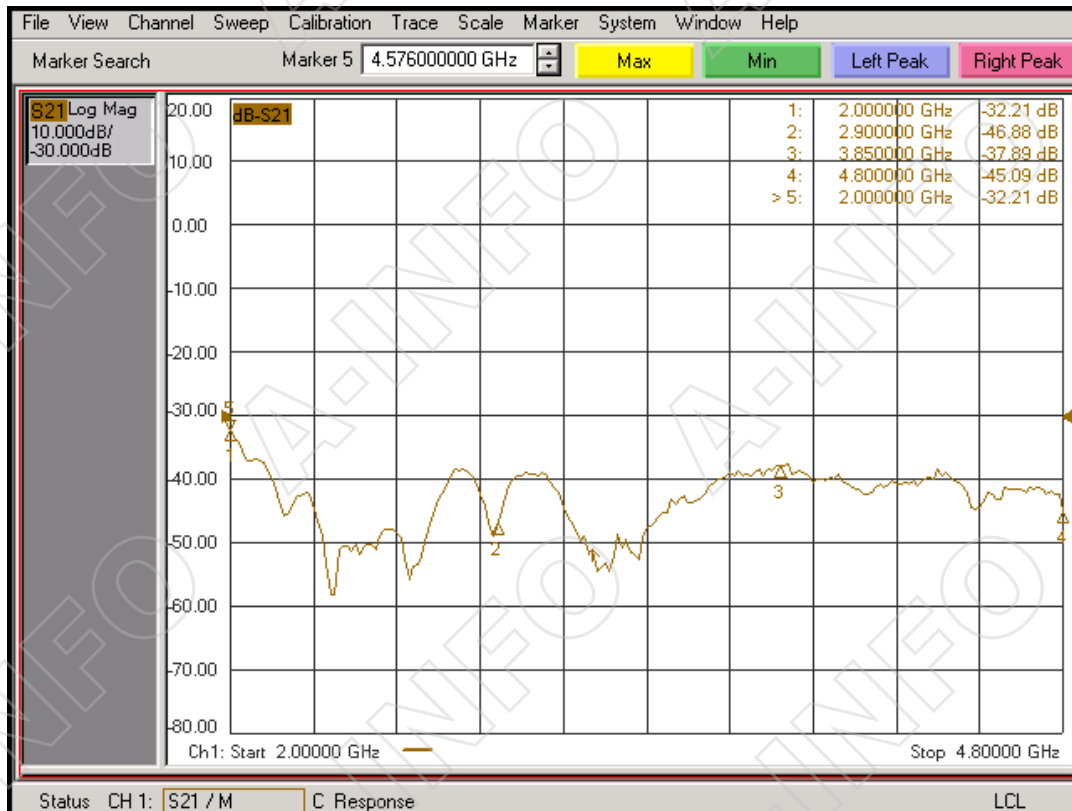


## Test Results

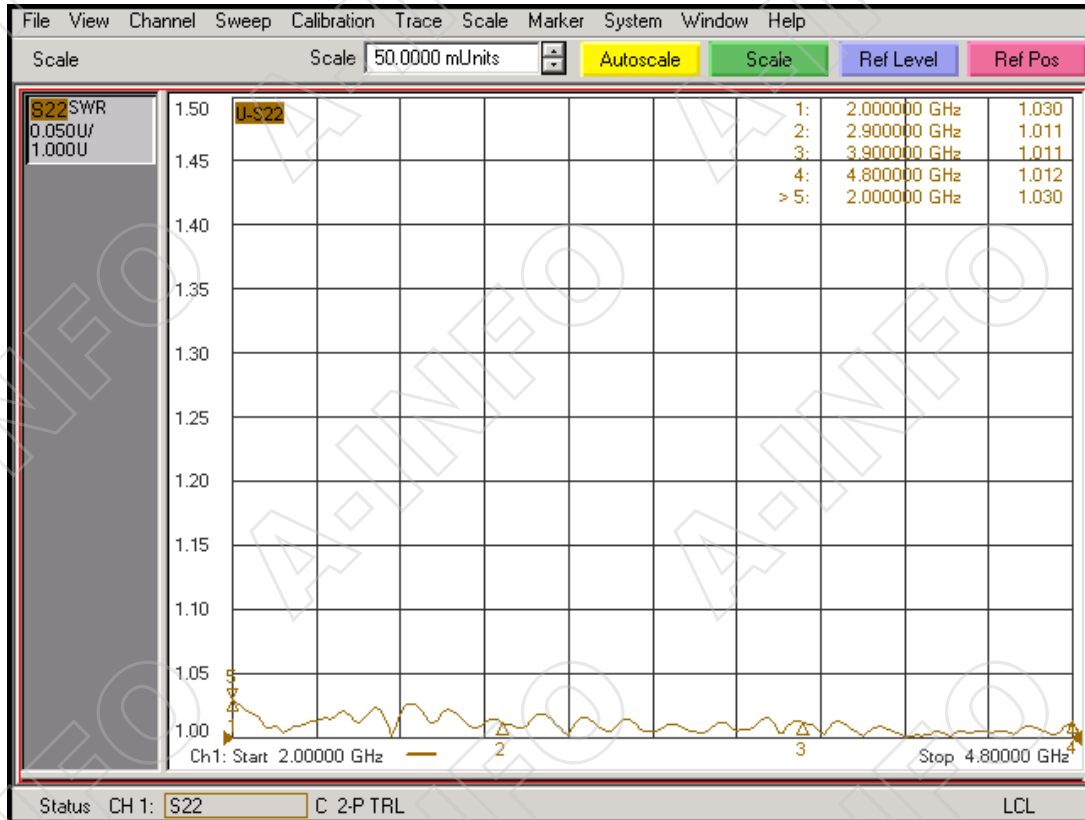
### Coupling



### Directivity



## Mainline VSWR



## Secondline VSWR

