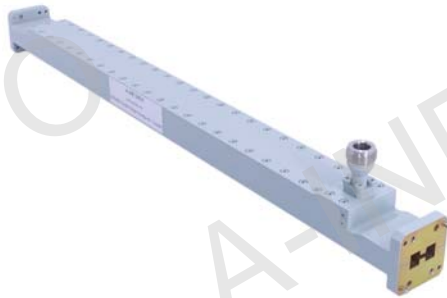


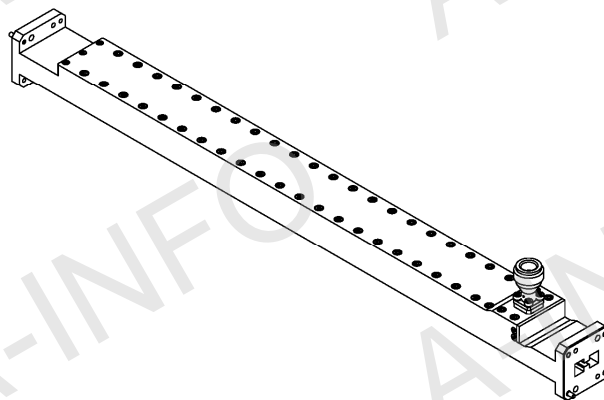
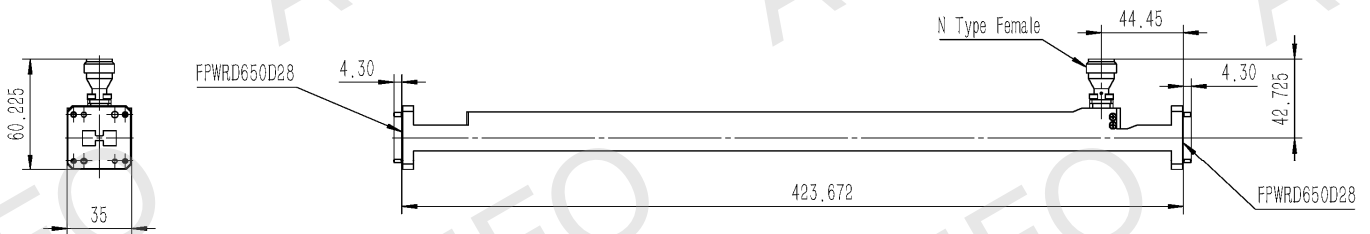
Technical Specification



EIA WRD	WRD650
Frequency Range(GHz)	6.5 - 18.0
Coupling(dB)	10
Coupling Accuracy(dB)	±1.5 Max.
Frequency Sensitivity(dB)	±1.5 Max.
Directivity(dB)	30 Min.
Insertion Loss(dB)	0.6 Max. (Not including the theoretical loss 0.46dB)
Mainline VSWR	1.25:1 Max.
Secondline VSWR	1.50:1 Max.
Flange	FPWRD650D28
Coupling Port	N-Female
Material	Al
Size(mm)	423.672 x 35 x 60.225
Net Weight(Kg)	0.65 Around

Outline Drawing (Size: mm)

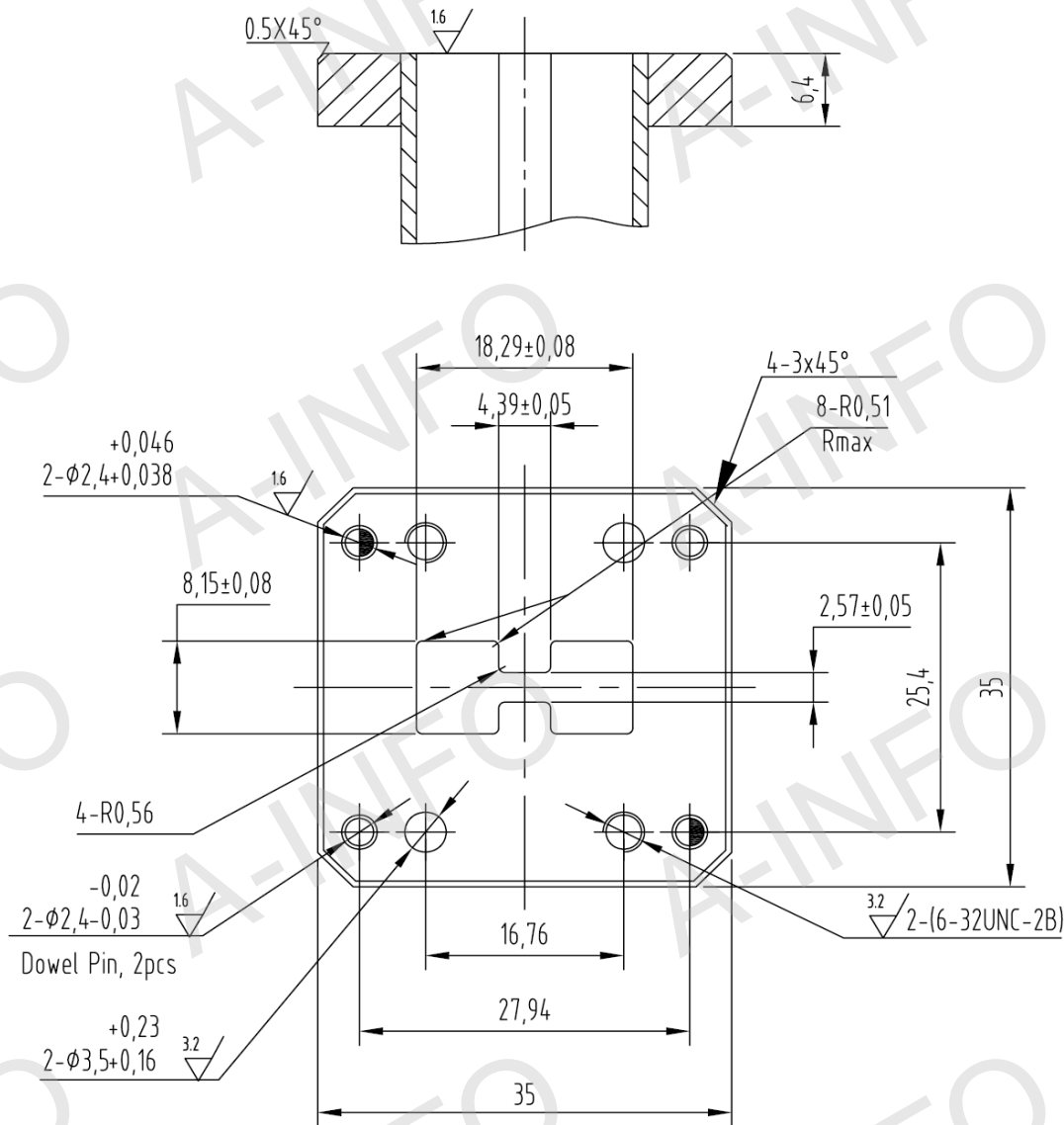
Coupling Port: N-Female



Flange Drawing (Size: mm)

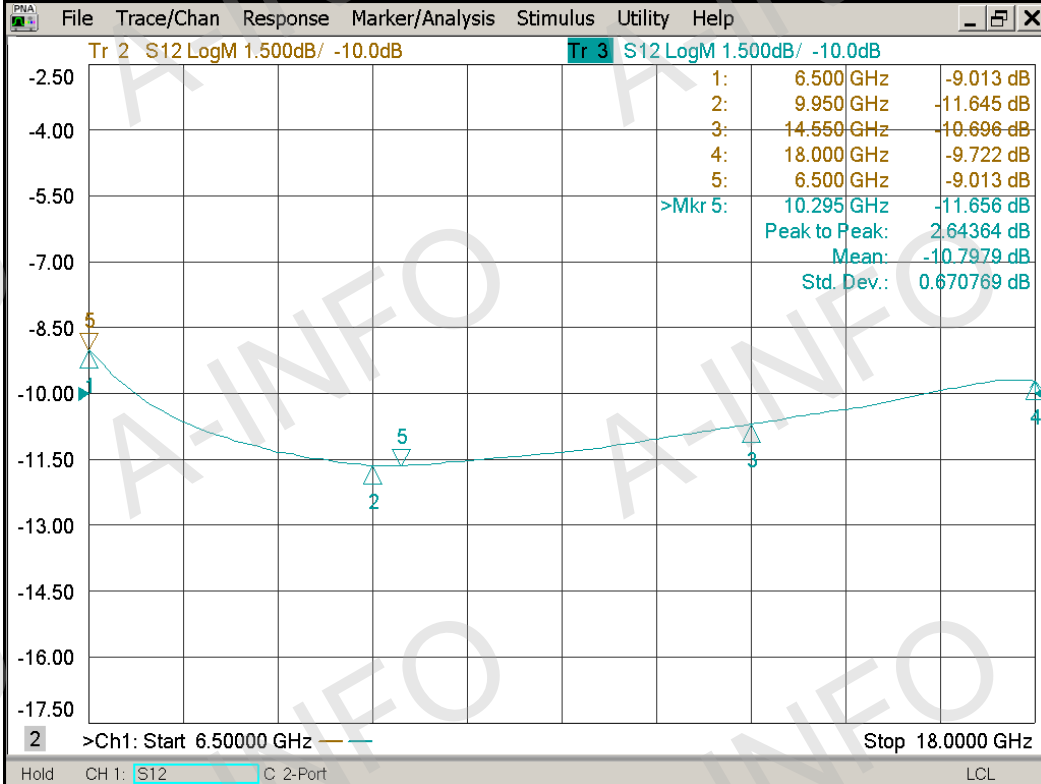
FPWRD650D28

(With two through mounting holes
and two screws holes)

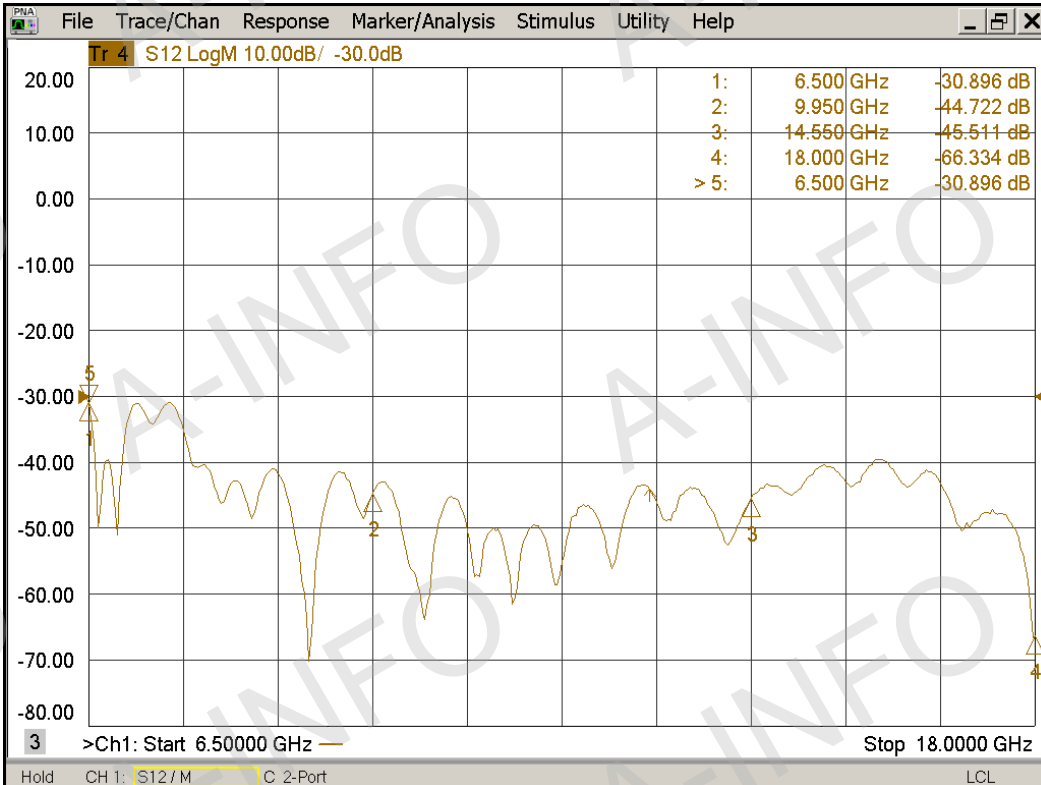


Test Results

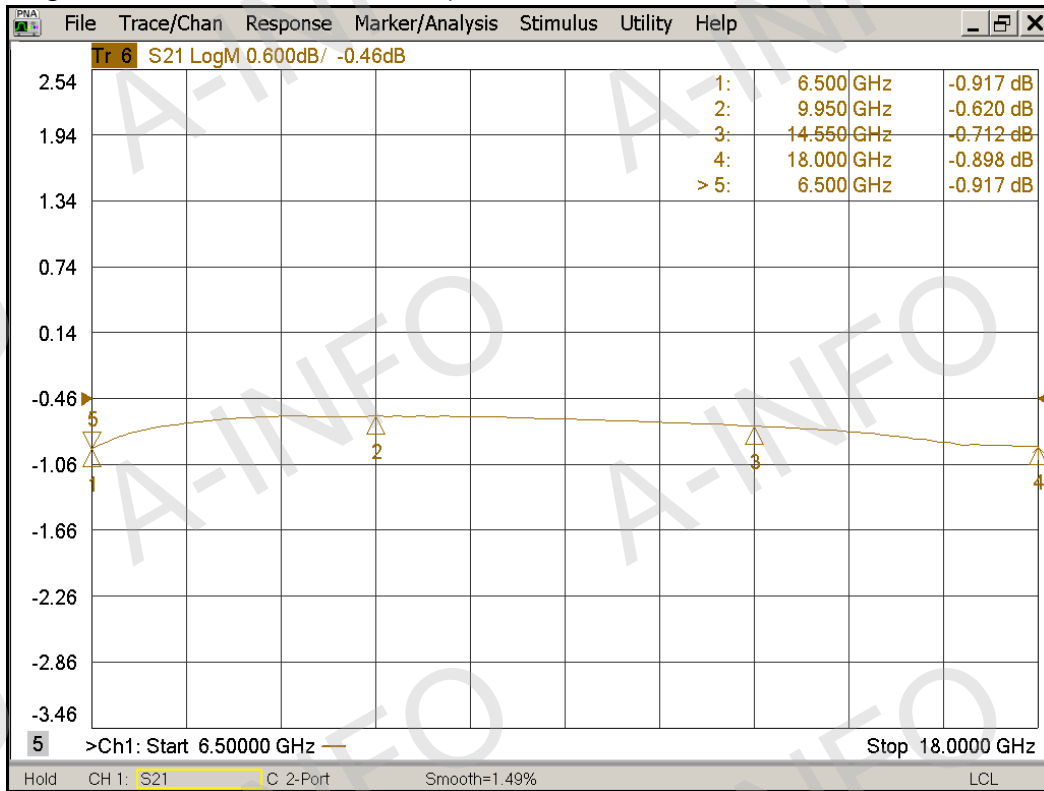
Coupling



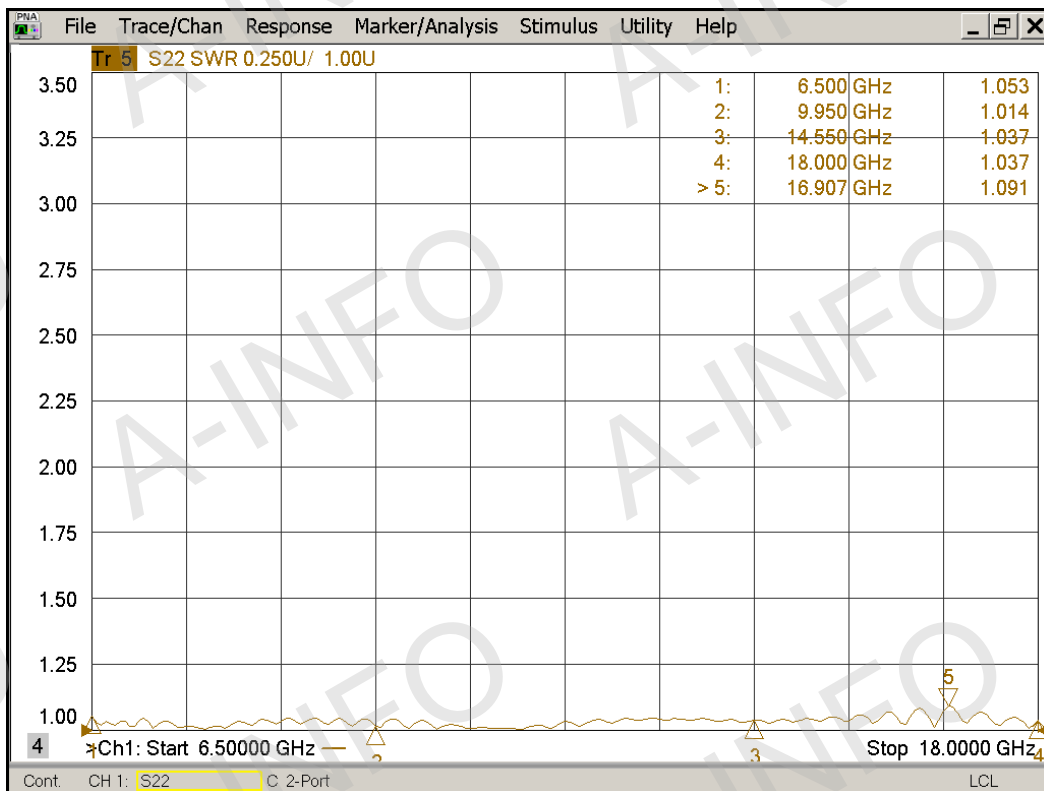
Directivity



I.L. (Including the theoretical loss 0.46dB)



Mainline VSWR



Secondline VSWR

