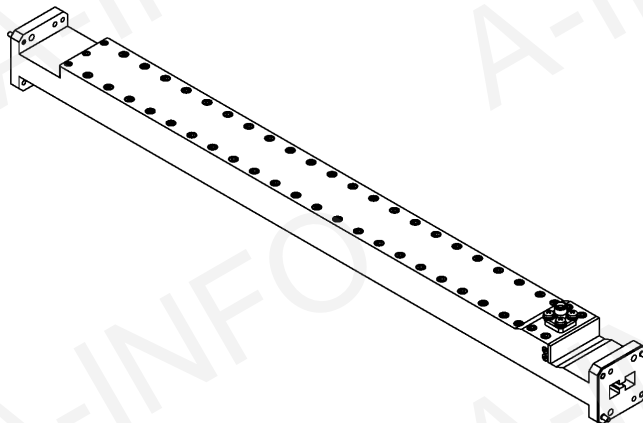
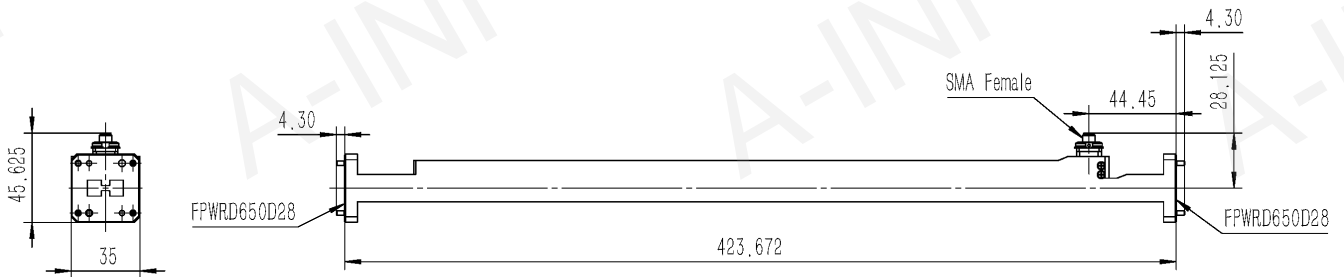


Technical Specification



| | |
|---------------------------|-------------|
| EIA WRD | WRD650 |
| Frequency Range(GHz) | 6.5-18.0 |
| Coupling(dB) | 20 |
| Coupling Accuracy(dB) | ±1.5 |
| Frequency Sensitivity(dB) | ±1.5 |
| Directivity(dB) | 30 Min. |
| Mainline VSWR | 1.15 Max. |
| Secondline VSWR | 1.50 Max. |
| Flange | FPWRD650D28 |
| Coupling Port | SMA-Female |
| Material | Al |
| Net Weight(Kg) | 0.43 Around |

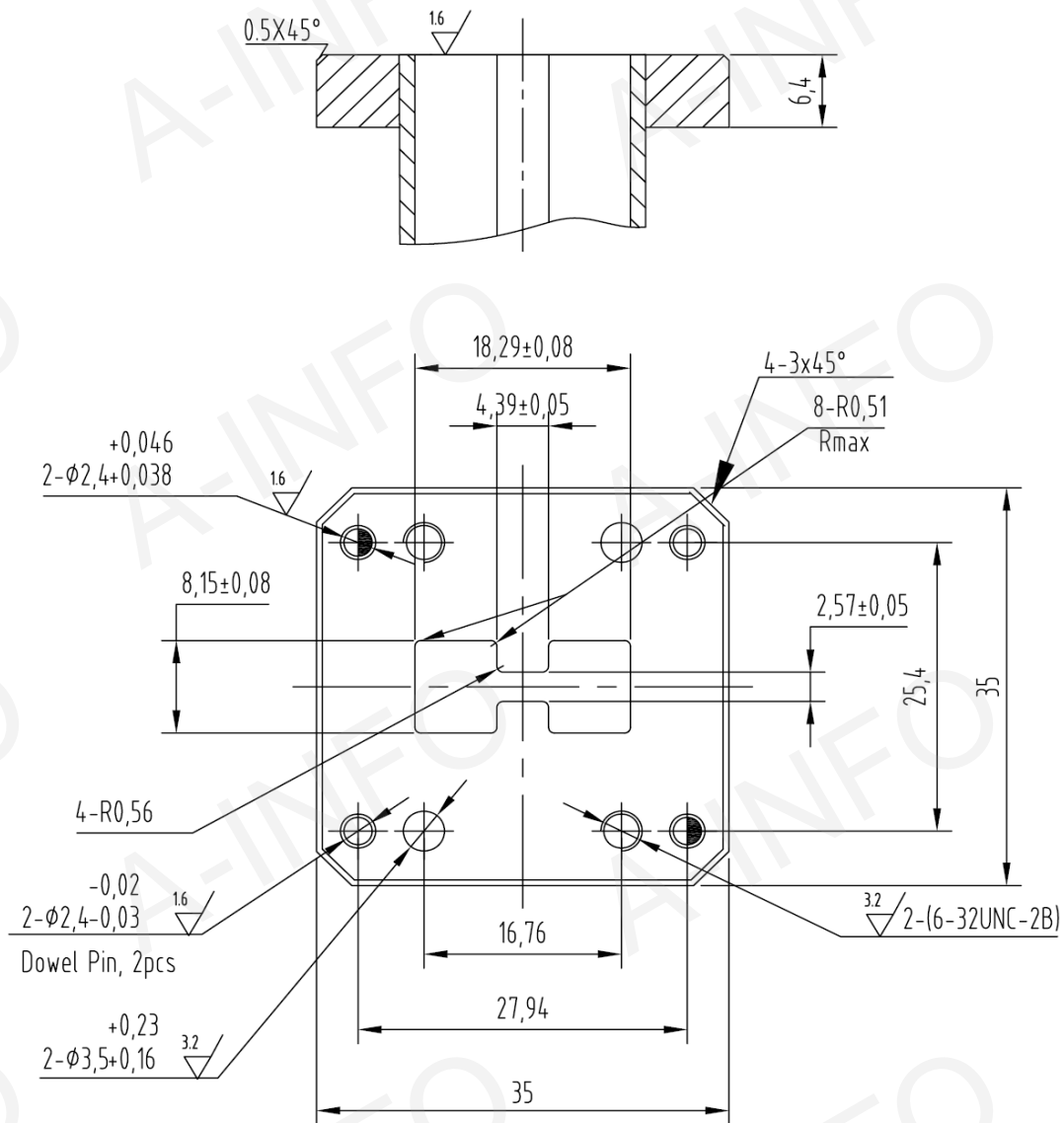
Outline Drawing (Size: mm)



Flange Drawing (Size: mm)

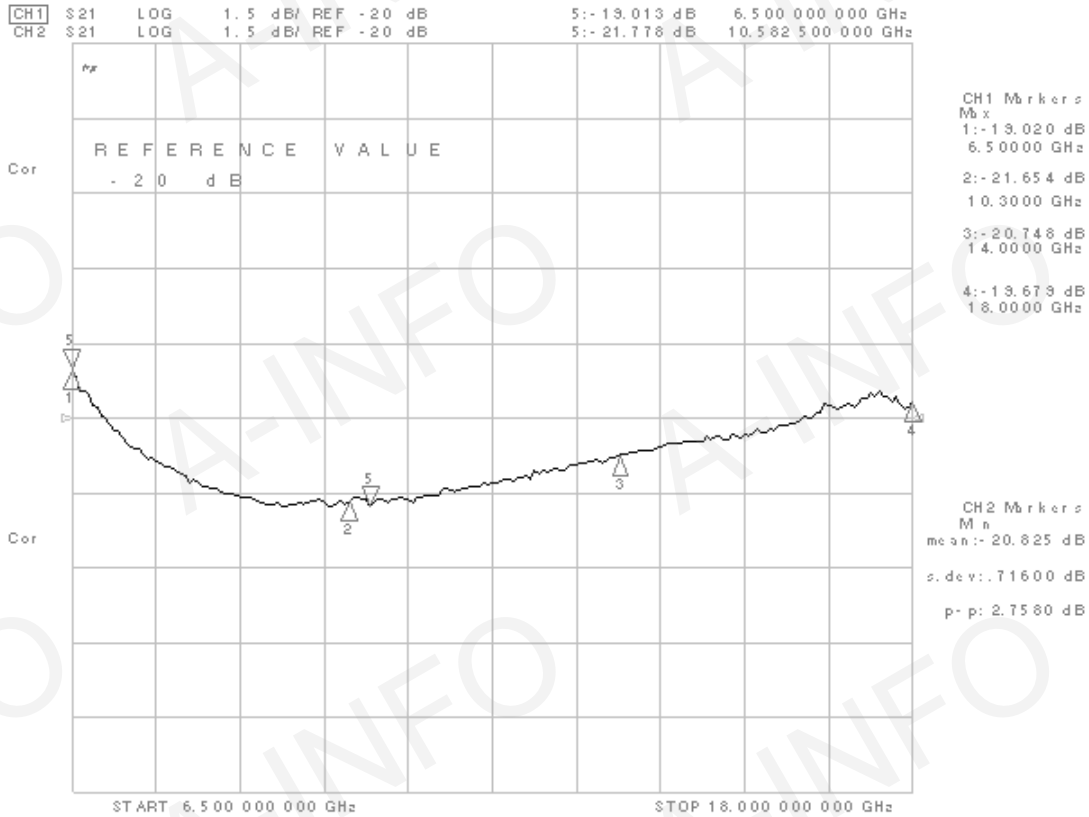
FPWRD650D28

(With two through mounting holes
and two screws holes)

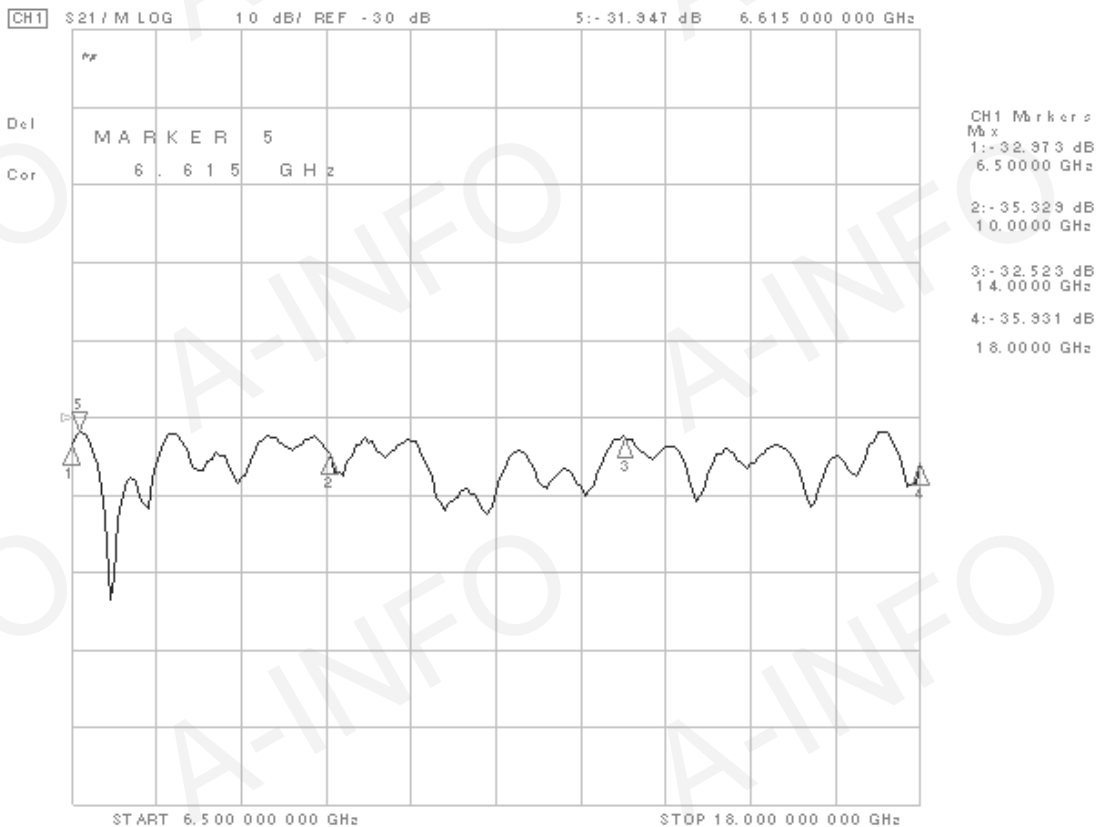


Test Results

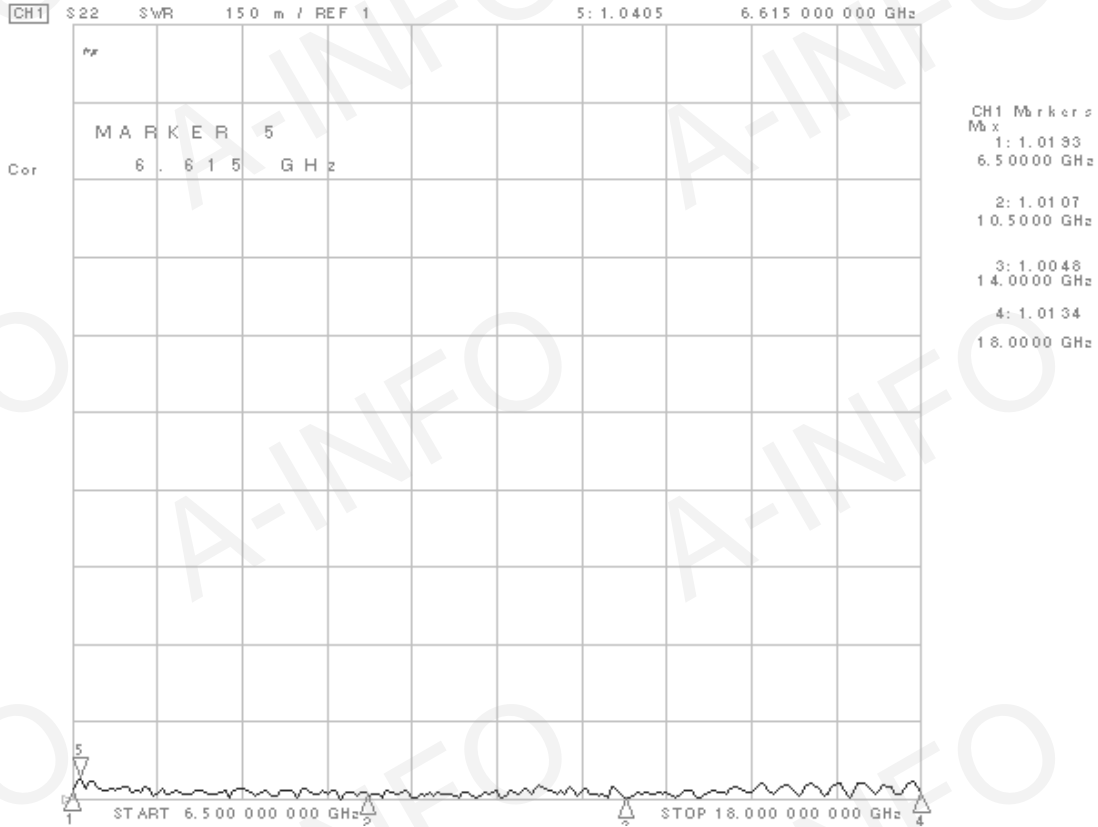
Coupling



Directivity



Mainline VSWR



Secondline VSWR

