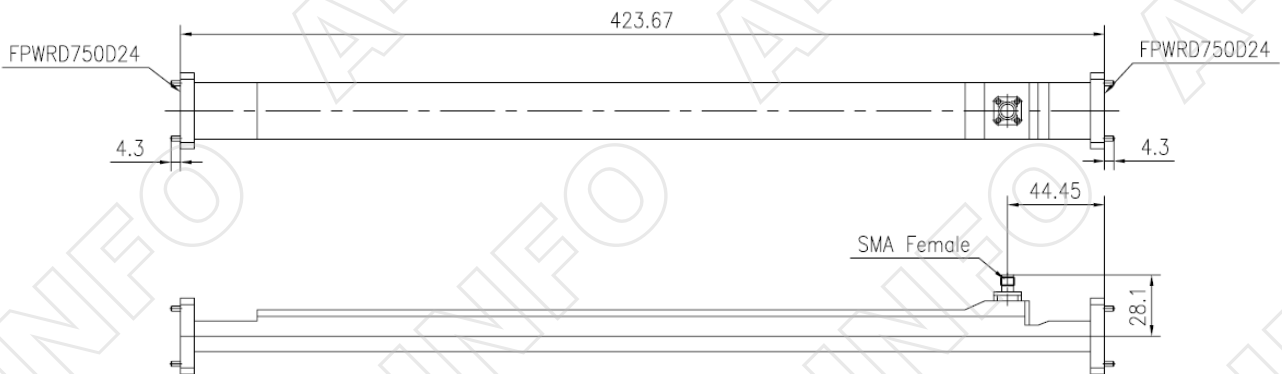


Technical Specification



EIA WRD	WRD750
Frequency Range(GHz)	7.5-18.0
Coupling(dB)	40
Coupling Accuracy(dB)	±1.5
Frequency Sensitivity(dB)	±1.5
Directivity(dB)	30 min
Mainline VSWR	1.15 max
Secondline VSWR	1.50 max
Flange	FPWRD750D24
Coupling Port	SMA-Female
Material	Al
Net Weight(Kg)	0.45 Around

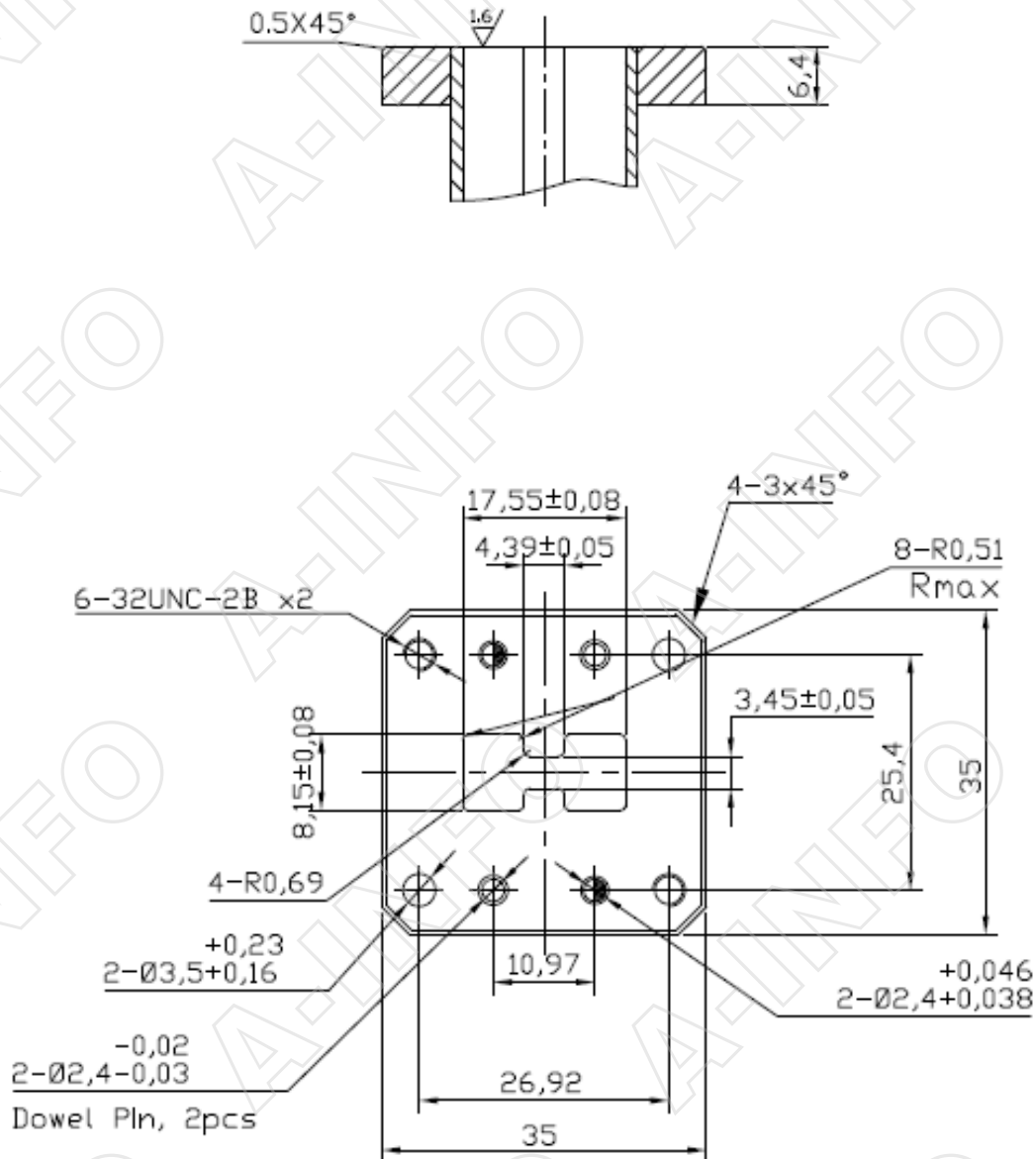
Outline Drawing (Size: mm)



Flange Drawing (Size: mm)

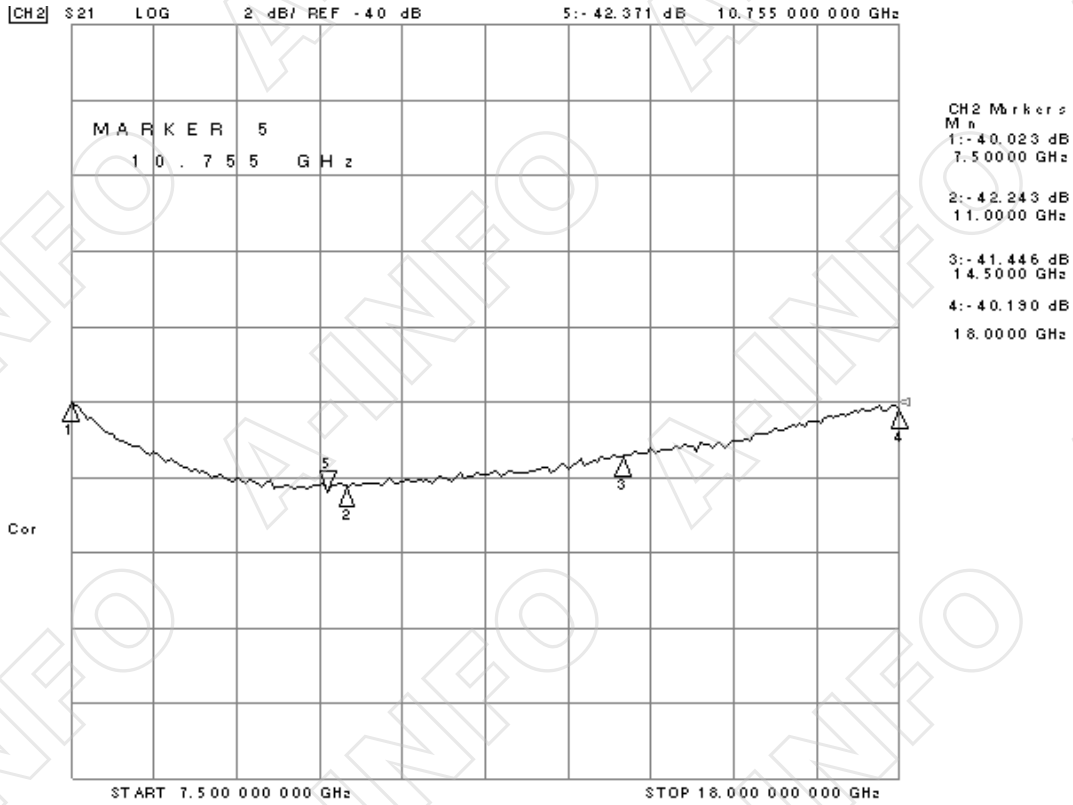
FPWRD750D24

(With two through mounting holes
and two screws holes)

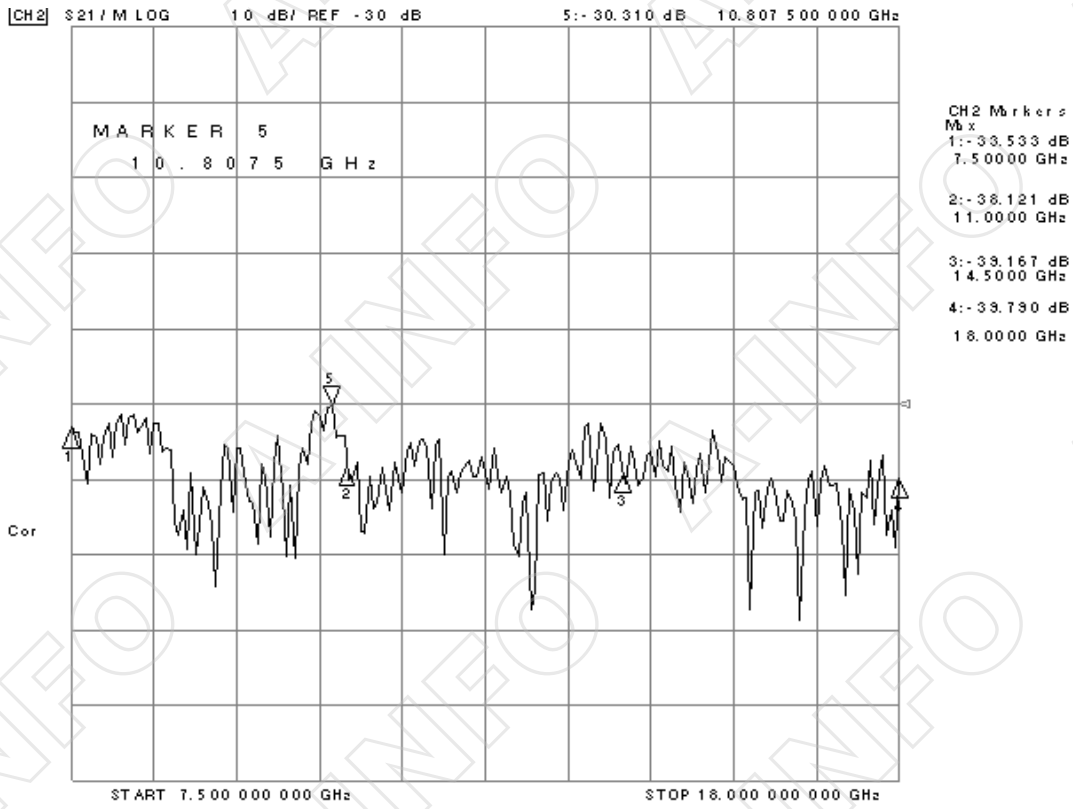


Test Results

Coupling

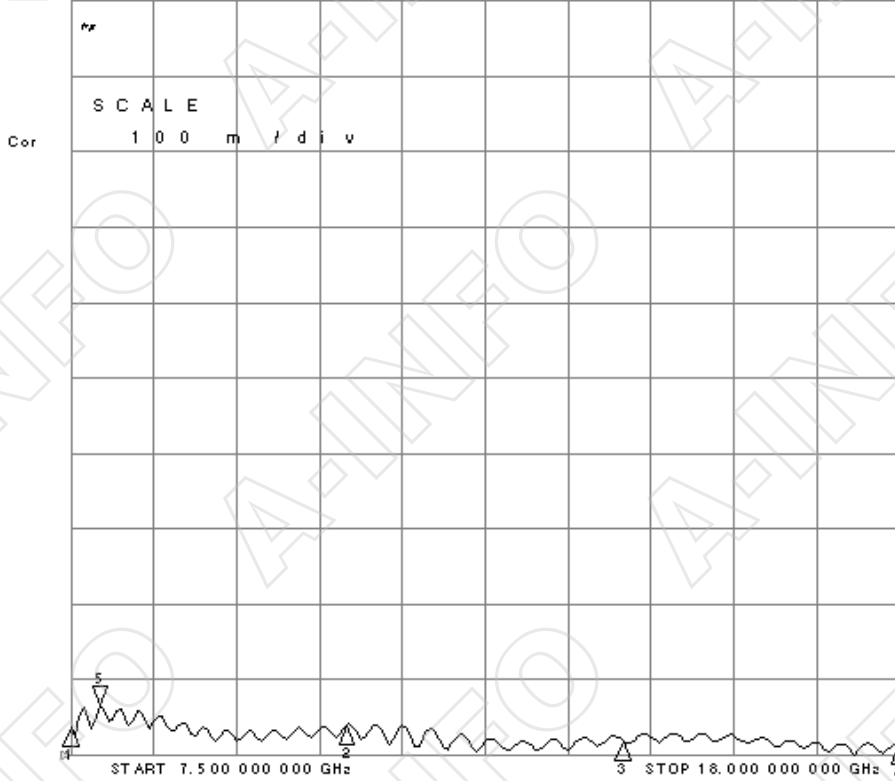


Directivity



Mainline VSWR

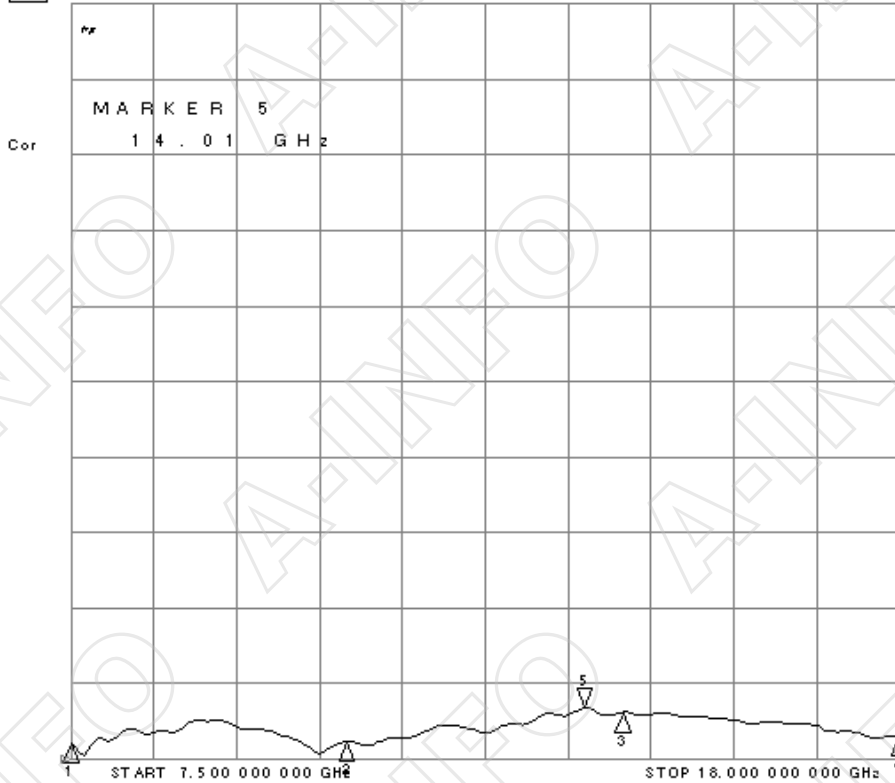
[CH1] S22 SWR 100 m / REF 1 5: 1.0654 7.867 500 000 GHz



CH1 Markers
Mx
1: 1.0385
7.50000 GHz
2: 1.0402
11.0000 GHz
3: 1.0201
14.5000 GHz
4: 1.0148
18.0000 GHz

Secondline VSWR

[CH1] S22 SWR 500 m / REF 1 5: 1.3330 14.010 000 000 GHz



CH1 Markers
Mx
1: 1.1054
7.50000 GHz
2: 1.1144
11.0000 GHz
3: 1.3109
14.5000 GHz
4: 1.1516
18.0000 GHz