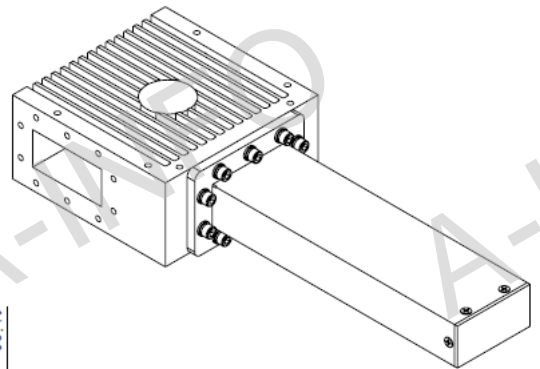
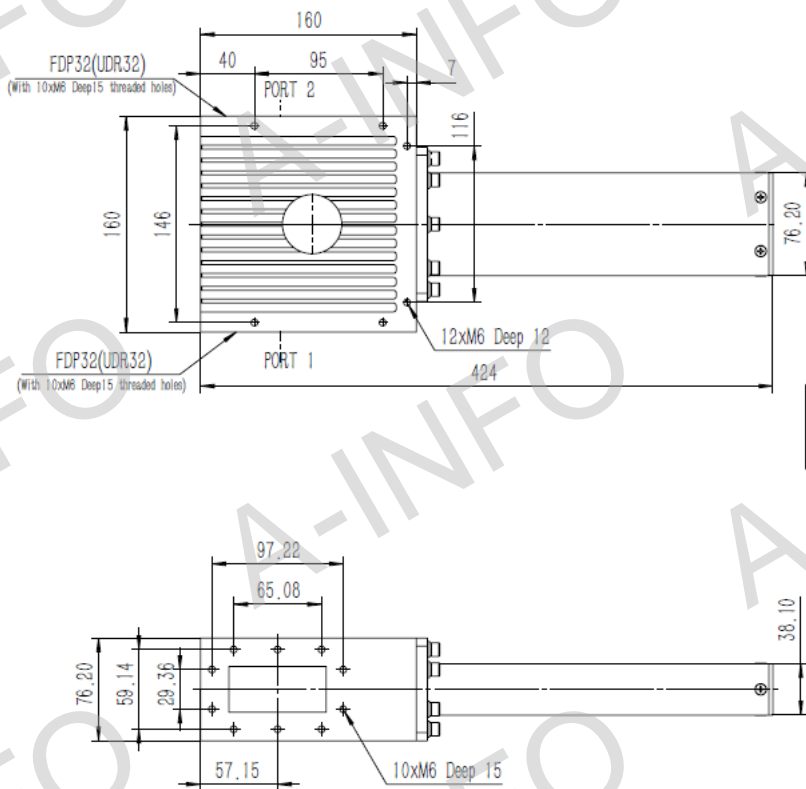


## Technical Specification

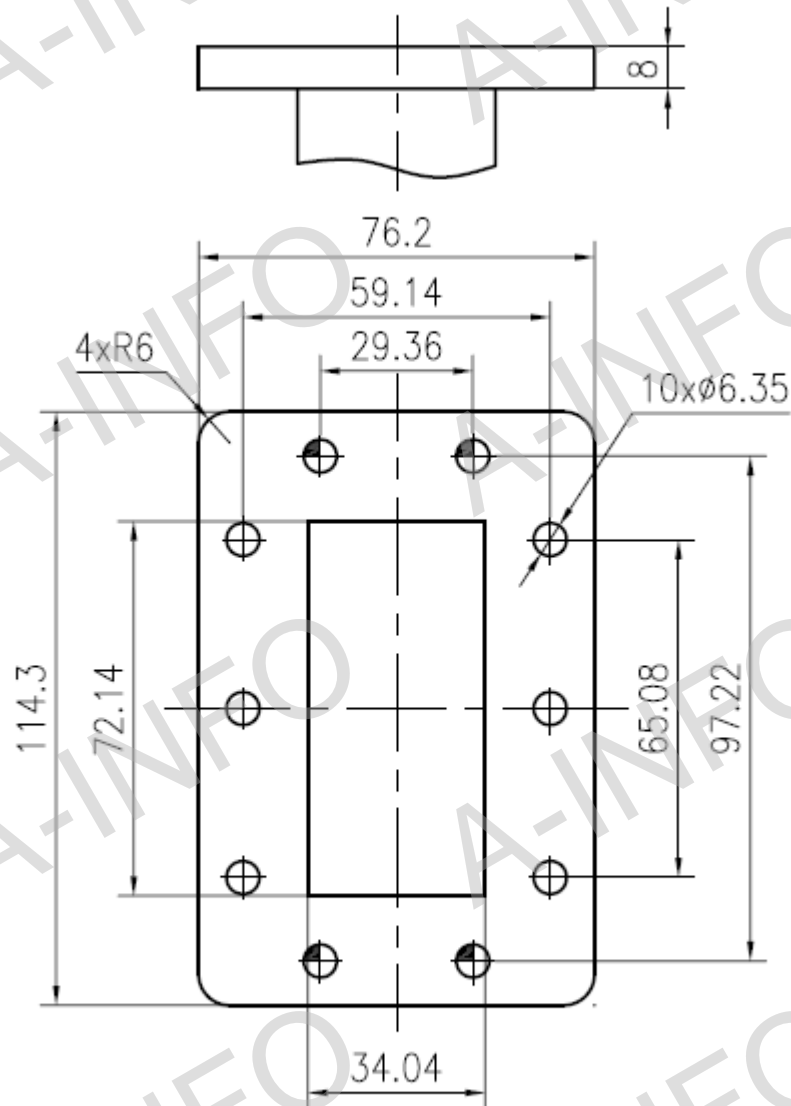


Freq. Range(GHz)	3.13-3.47
Waveguide	WR284
VSWR	1.25 Max.
Insertion Loss(dB)	0.5 Max.
Isolation(dB)	20 Min.
Forward Power(W)	200
Reverse Power(W)	10
Flange	FDP32(UDR32) (with 10xM6 Deep 15 thread holes)
Material	Al
N.W.(Kg)	3.62 Around

## Outline Drawing (Size: mm)



## Flange Outline Drawing (Size: mm)



FDP32

## Test Results

