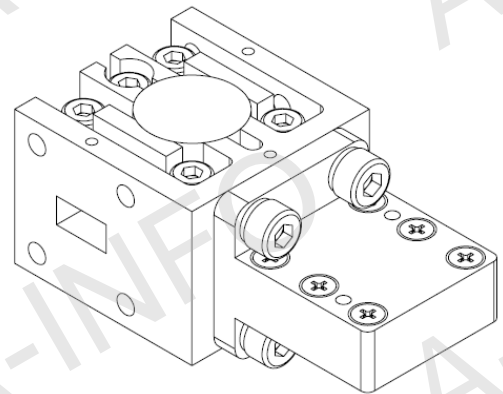
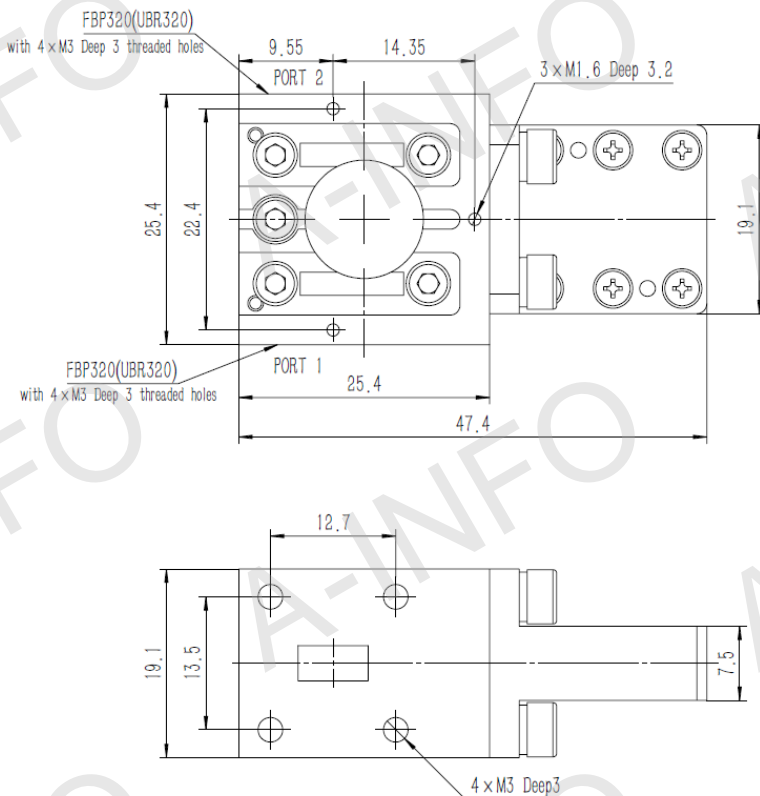


Technical Specification

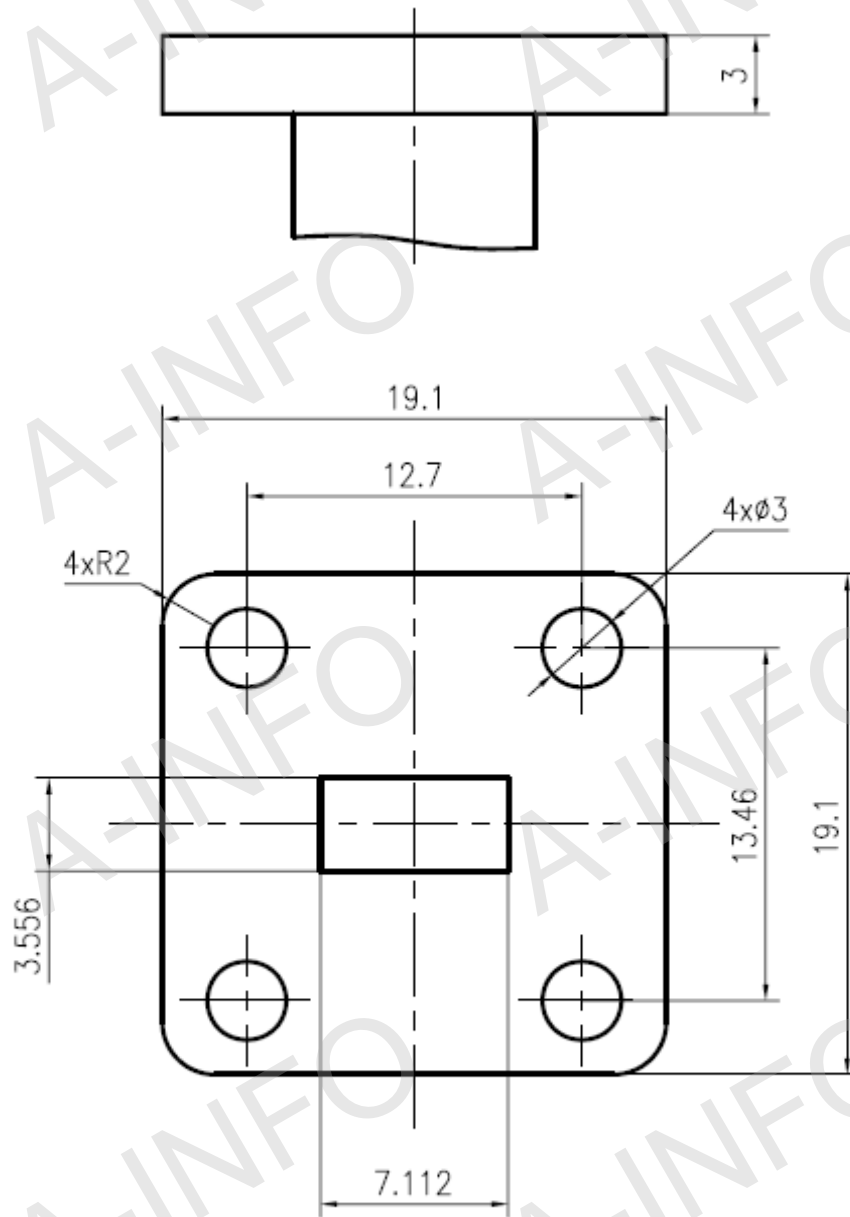


EIA WR	WR28
Frequency Range(GHz)	34.0 – 36.0
Isolation(dB)	18 Min.
Insertion Loss(dB)	0.6 Max.
Input VSWR	1.30:1 Max.
Output VSWR	1.40:1 Max.
Flange	FBP320(UBR320) (With 4xM3 Deep 3 threaded holes)
Forward Power(W)	1
Reverse Power(W)	1
Material	Al
Size(mm)	47.4 x 25.4 x 19.1
Net Weight(Kg)	0.05 Around

Outline Drawing (Size: mm)



Flange Drawing (Size: mm)



FBP320

AINFO Inc.

Page 2 of 3

China(Beijing):	Tel: (+86) 10-6266-7326,	(+86) 10-6266-7327	Fax: (+86) 10-6266-7379
China(Chengdu):	Tel: (+86) 28-8519-2786,	(+86) 28-8519-3044	Fax: (+86) 28-8519-3068
USA :	Tel: (+1) 949-639-9688,	(+1) 949-639-9608	Fax: (+1) 949-639-9670

Website: www.ainfoinc.com
Email: sales@ainfoinc.com

Test Results

Isolation & I.L. & VSWR

CH1	S11	\$\text{SWR}	300 m / REF 1	5: 1.2236	35.380 000 000 GHz
CH2	S21	LOG	.6 dB / REF 0 dB	5:-.35800 dB	36.000 000 000 GHz
CH3	S12	LOG	10 dB / REF -18 dB	5:-20.511 dB	34.000 000 000 GHz
CH4	S22	\$\text{SWR}	400 m / REF 1	5: 1.1684	36.000 000 000 GHz

