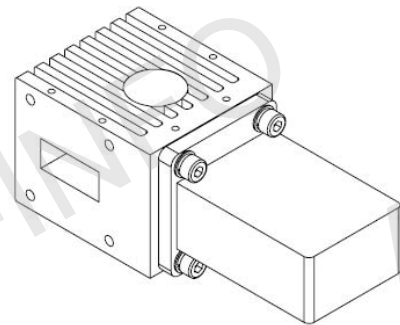
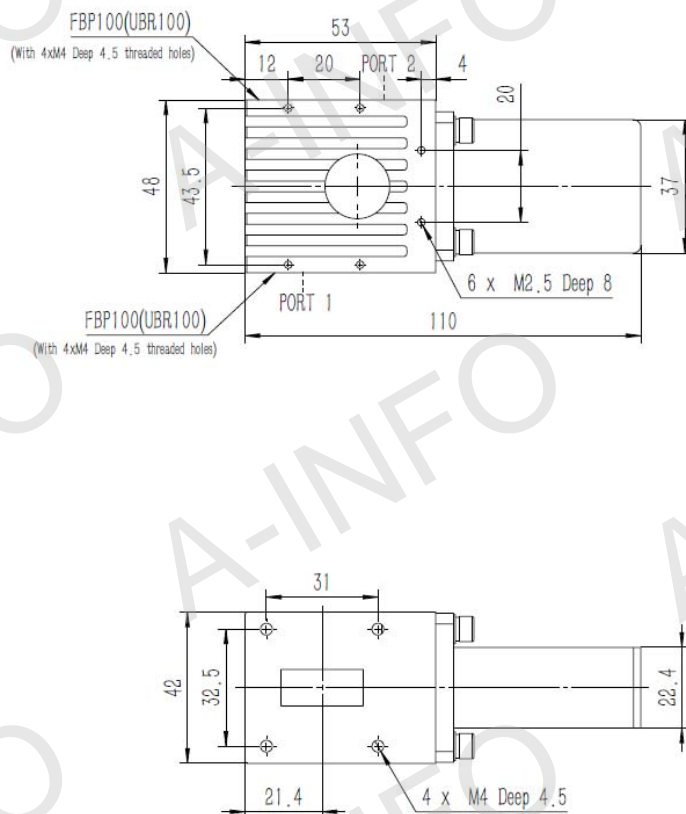


Technical Specification



EIA WR	WR90
Frequency Range(GHz)	10.7 – 11.7
Isolation(dB)	18 Min.
Insertion Loss(dB)	0.6 Max.
VSWR	1.30:1 Max.
Flange	FBP100(UBR100) (With 4XM4 Deep 4.5 threaded holes)
Forward Power(W)	10
Reverse Power(W)	1
Material	Al
Size(mm)	110 x 48 x 42
Net Weight(Kg)	0.36 Around

Outline Drawing (Size: mm)



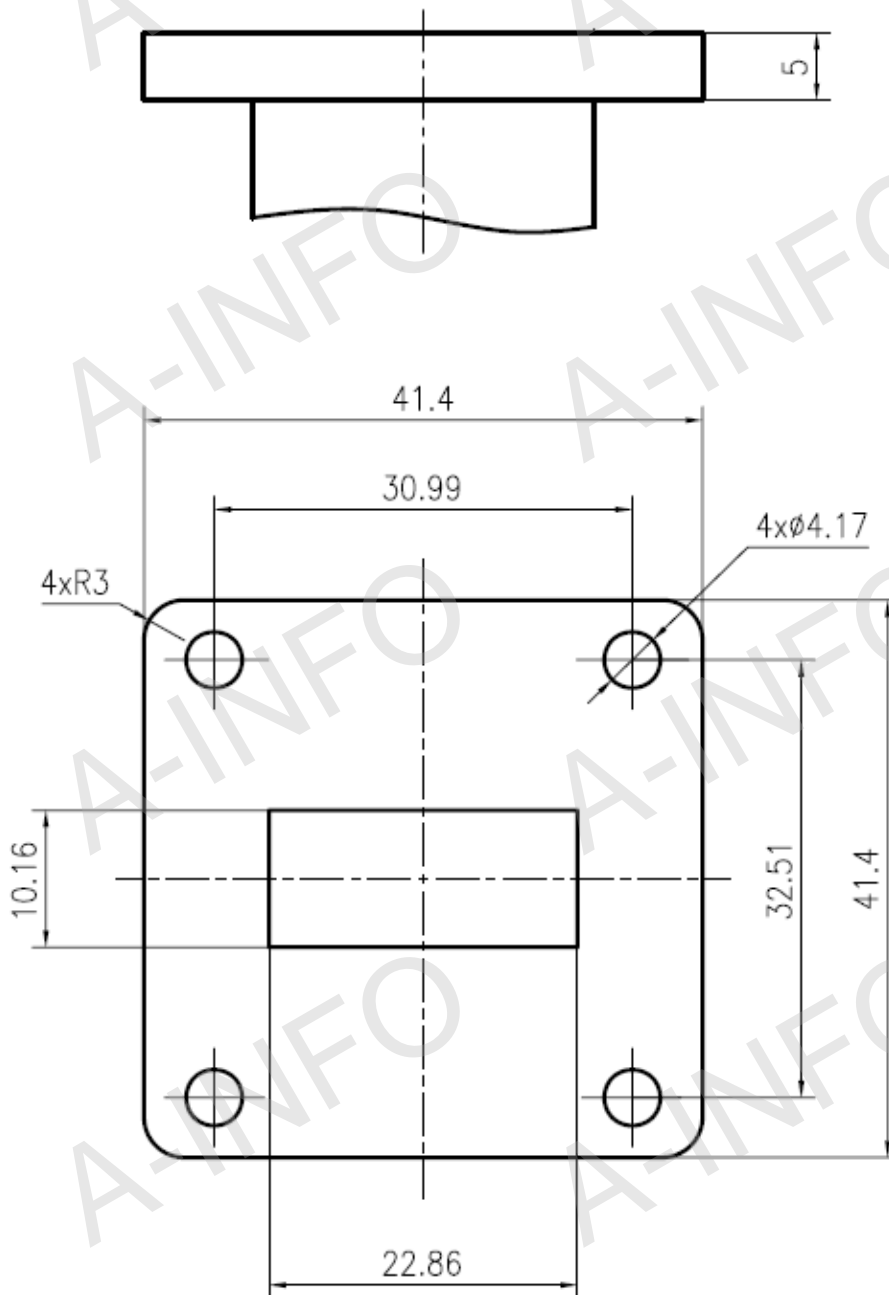
AINFO Inc.

Page 1 of 3

China(Beijing): Tel: (+86) 10-6266-7326, (+86) 10-6266-7327 Fax: (+86) 10-6266-7379
 China(Chengdu): Tel: (+86) 28-8519-2786, (+86) 28-8519-3044 Fax: (+86) 28-8519-3068
 USA: Tel: (+1) 949-639-9688, (+1) 949-639-9608 Fax: (+1) 949-639-9670

Website: www.ainfoinc.com
 Email: sales@ainfoinc.com

Flange Drawing (Size: mm)



FBP100

AINFO Inc.

Page 2 of 3

China(Beijing): Tel: (+86) 10-6266-7326, (+86) 10-6266-7327 Fax: (+86) 10-6266-7379
China(Chengdu): Tel: (+86) 28-8519-2786, (+86) 28-8519-3044 Fax: (+86) 28-8519-3068
USA: Tel: (+1) 949-639-9688, (+1) 949-639-9608 Fax: (+1) 949-639-9670

Website: www.ainfoinc.com
Email: sales@ainfoinc.com

Data subject to change without notice. For current data sheets, please contact: Sales@ainfoinc.com

Test Results

Isolation & I.L. & VSWR

