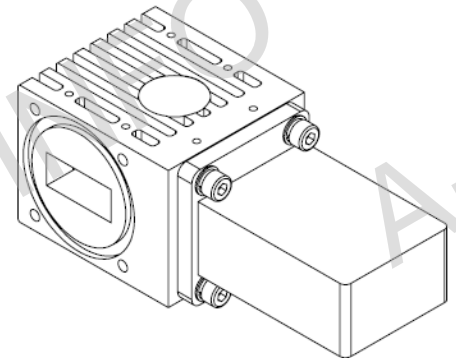
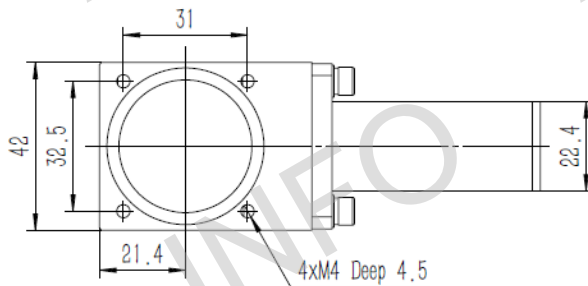
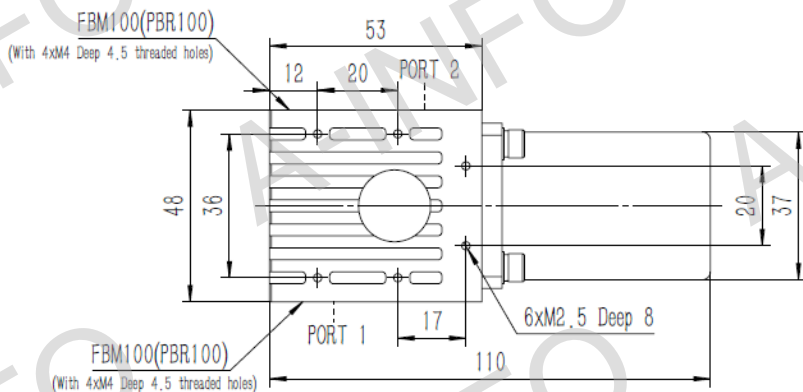


Technical Specification



EIA WR	WR90	
Frequency Range(GHz)	8.4 – 10.7	
Isolation(dB)	15 Min.	
Insertion Loss(dB)	0.6 Max.	
VSWR	1.50:1 Max.	
Flange	FBM100(PBR100) (With 4XM4 Deep 4.5 threaded holes)	
Forward Power(W)	Avg.:	100
	Peak:	2K
Reverse Power(W)	100	
Material	Al	
Size(mm)	110 x 48 x 42	
Net Weight(Kg)	0.35 Around	

Outline Drawing (Size: mm)



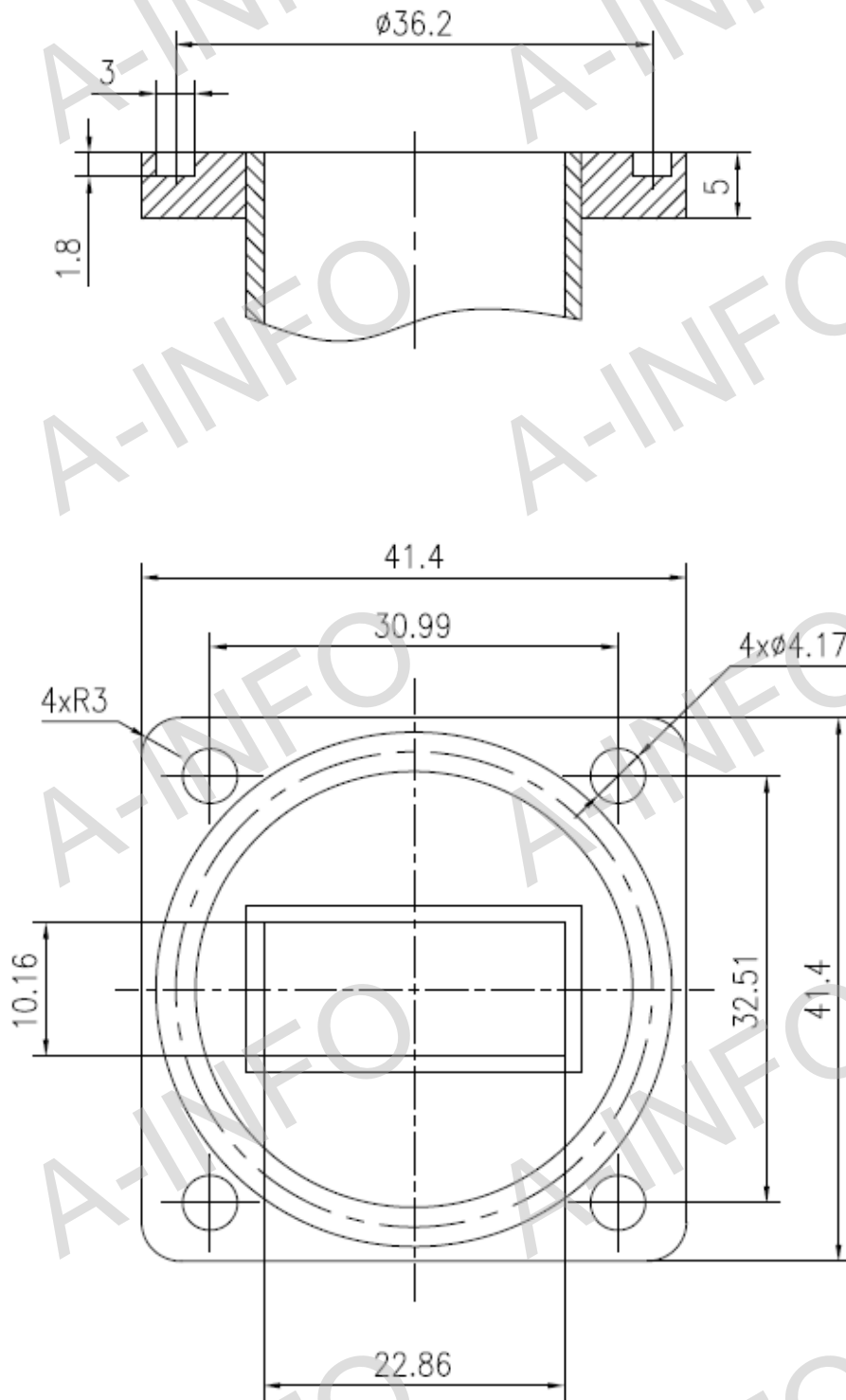
AINFO Inc.

Page 1 of 3

China(Beijing): Tel: (+86) 10-6266-7326, (+86) 10-6266-7327 Fax: (+86) 10-6266-7379
 China(Chengdu): Tel: (+86) 28-8519-2786, (+86) 28-8519-3044 Fax: (+86) 28-8519-3068
 USA: Tel: (+1) 949-639-9688, (+1) 949-639-9608 Fax: (+1) 949-639-9670

Website: www.ainfoinc.com
 Email: sales@ainfoinc.com

Flange Drawing (Size: mm)



FBM100

AINFO Inc.

Page 2 of 3

China(Beijing): Tel: (+86) 10-6266-7326, (+86) 10-6266-7327 Fax: (+86) 10-6266-7379
 China(Chengdu): Tel: (+86) 28-8519-2786, (+86) 28-8519-3044 Fax: (+86) 28-8519-3068
 USA: Tel: (+1) 949-639-9688, (+1) 949-639-9608 Fax: (+1) 949-639-9670

Website: www.ainfoinc.com
 Email: sales@ainfoinc.com

Test Results

Isolation & I.L. & VSWR

CH1	S11	SWR	500 m / REF 1	5: 1.4116	10.700 000 000 GHz
CH2	S21	LOG	.6 dB / REF 0 dB	5: -.27500 dB	10.700 000 000 GHz
CH3	S12	LOG	10 dB / REF -15 dB	5: -16.385 dB	10.700 000 000 GHz
CH4	S22	SWR	500 m / REF 1	5: 1.4008	8.400 000 000 GHz

