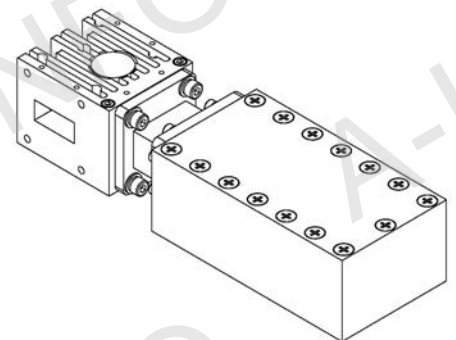
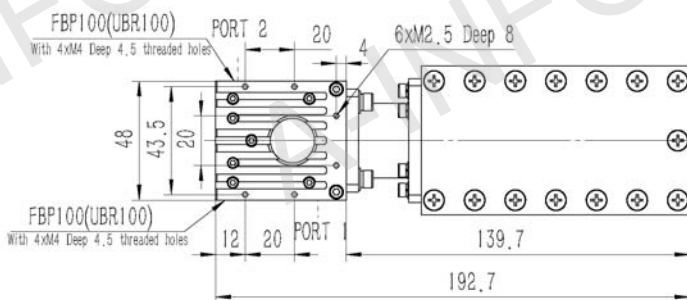
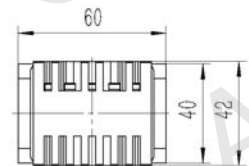
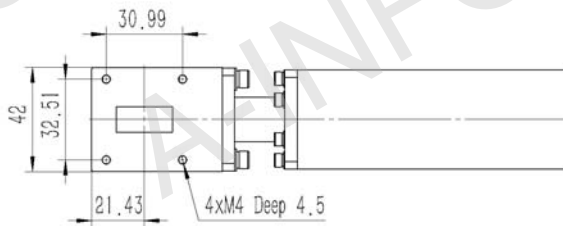


## Technical Specification



EIA WR	WR90
Frequency Range(GHz)	9.1 – 9.3
Bandwidth	Full
Isolation(dB)	22 Min.
Insertion Loss(dB)	0.4 Max.
VSWR	1.20:1 Max.
Flange	FBP100(UBR100) (with 4xM4 Deep 4.5 threaded holes)
Forward Power(W)	200
Reverse Power(W)	50
Material	Al
Size(mm)	192.7 x 60 x 42
Net Weight(Kg)	0.95 Around

## Outline Drawing (Size: mm)



AINFO Inc.

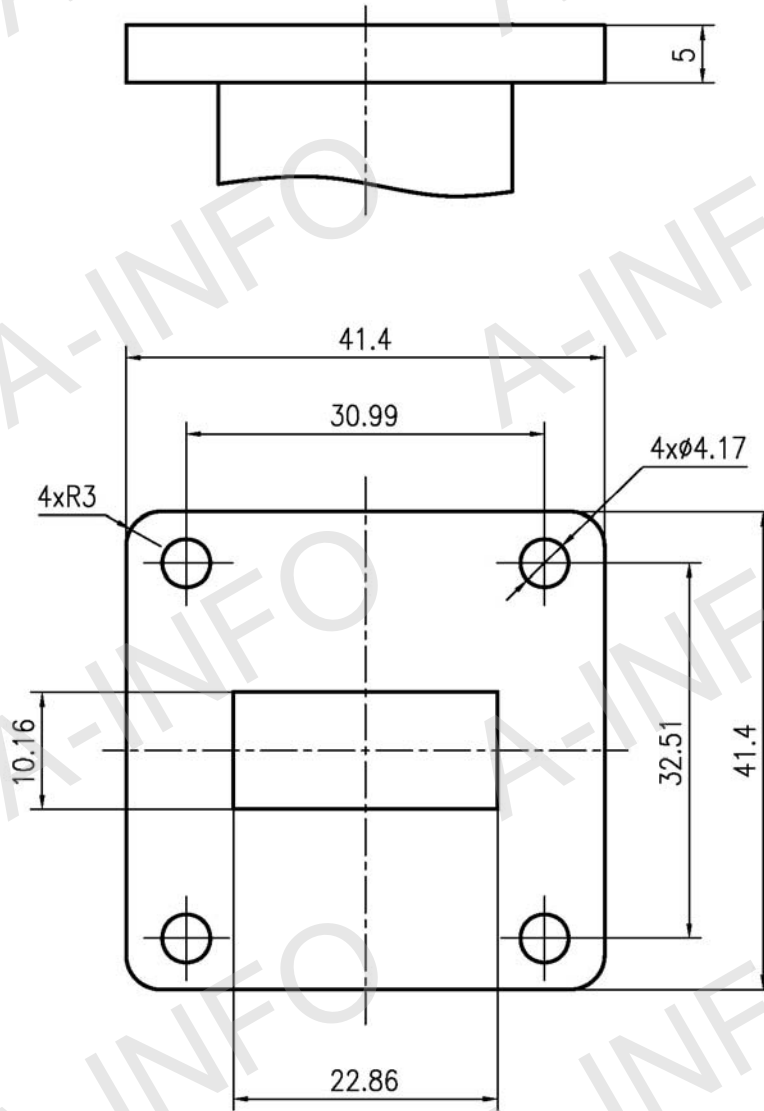
Page 1 of 3

China(Beijing): Tel: (+86) 10-6266-7326, (+86) 10-6266-7327 Fax: (+86) 10-6266-7379  
 China(Chengdu): Tel: (+86) 28-8519-2786, (+86) 28-8519-3044 Fax: (+86) 28-8519-3068  
 USA: Tel: (+1) 949-639-9688, (+1) 949-639-9608 Fax: (+1) 949-639-9670

Website: [www.ainfoinc.com](http://www.ainfoinc.com)  
 Email: [sales@ainfoinc.com](mailto:sales@ainfoinc.com)

Data subject to change without notice. For current data sheets, please contact: [Sales@ainfoinc.com](mailto:Sales@ainfoinc.com)

## Flange Drawing (Size: mm)



**FBP100**

**AINFO Inc.**

Page 2 of 3

China(Beijing): Tel: (+86) 10-6266-7326, (+86) 10-6266-7327 Fax: (+86) 10-6266-7379  
China(Chengdu): Tel: (+86) 28-8519-2786, (+86) 28-8519-3044 Fax: (+86) 28-8519-3068  
USA: Tel: (+1) 949-639-9688, (+1) 949-639-9608 Fax: (+1) 949-639-9670

Website: [www.ainfoinc.com](http://www.ainfoinc.com)  
Email: [sales@ainfoinc.com](mailto:sales@ainfoinc.com)

Data subject to change without notice. For current data sheets, please contact: [Sales@ainfoinc.com](mailto:Sales@ainfoinc.com)

## Test Results

### Isolation & I.L. & VSWR

