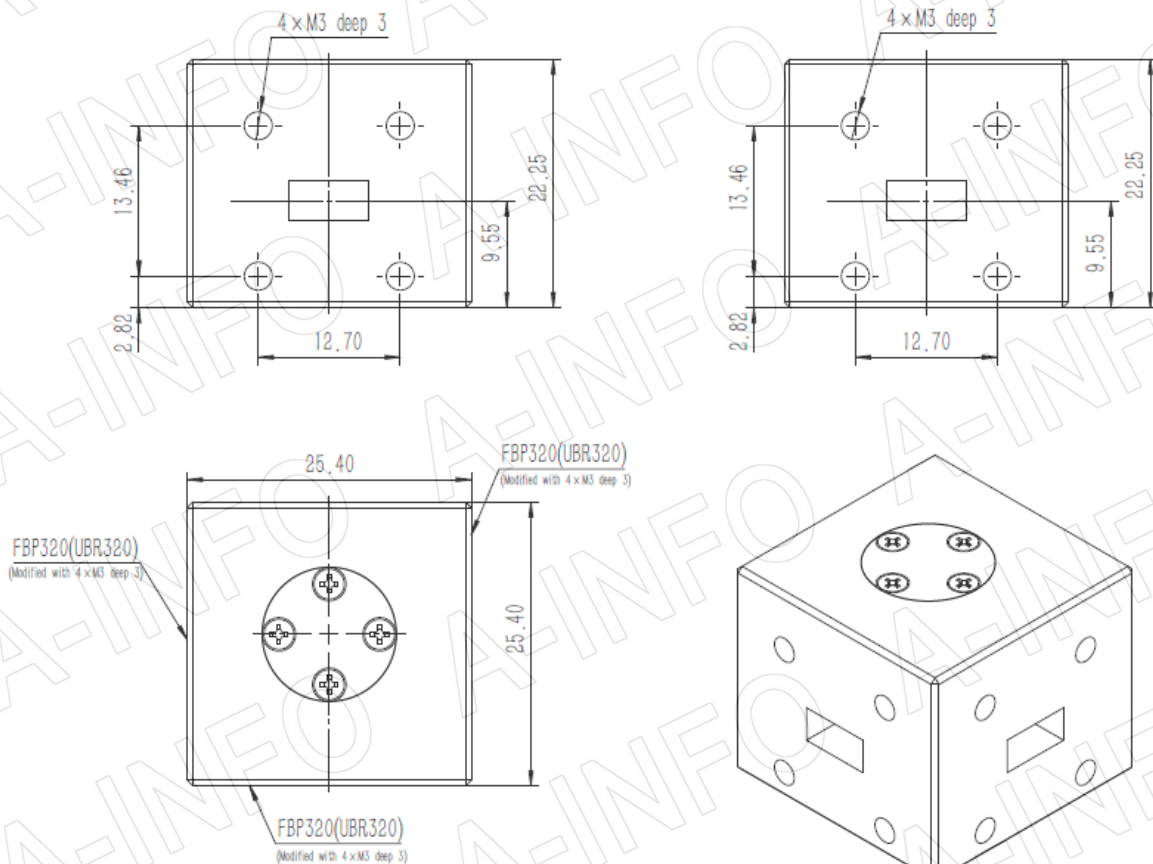


## Technical Specification



EIA WR	WR28
Frequency Range(GHz)	26.5 - 40.0
Band Width	FULL
Insertion Loss(dB)	0.3 Max. (Not including the Theoretical loss 3.0dB)
VSWR	1.5:1 Typ.
Amplitude Balance(dB)	±0.3 Max.
Phase Balance(°C)	±5 Max.
Flange Type	FBP320(UBR320) (Modified with 4 x M3 Deep3)
Material	Cu
Size(mm)	25.4 x 25.4 x 22.25
Net Weight(Kg)	0.11 Around

## Outline Drawing (Size: mm)



AINFO Inc.

Page 1 of 4

China(Beijing):  
China(Chengdu):  
USA :

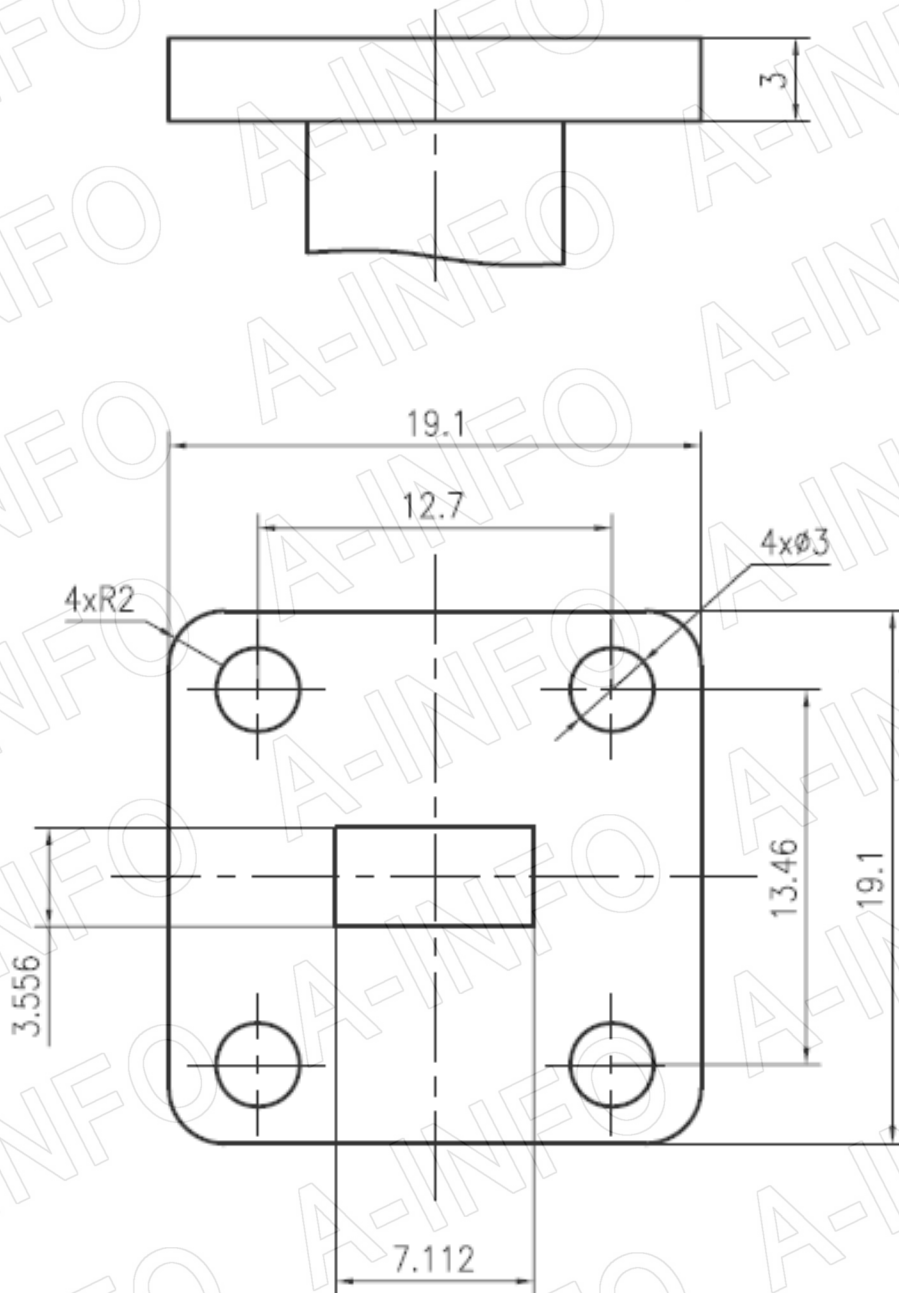
Tel: (+86) 10-6266-7326,  
Tel: (+86) 28-8519-2786,  
Tel: (+1) 949-639-9688,

(+86) 10-6266-7327  
(+86) 28-8519-3044  
(+1) 949-639-9608

Fax: (+86) 10-6266-7379  
Fax: (+86) 28-8519-3068  
Fax: (+1) 949-639-9670

Website: [www.ainfoinc.com](http://www.ainfoinc.com)  
Email: [sales@ainfoinc.com](mailto:sales@ainfoinc.com)

## Flange Drawing (Size: mm)



**FBP320**

AINFO Inc.

Page 2 of 4

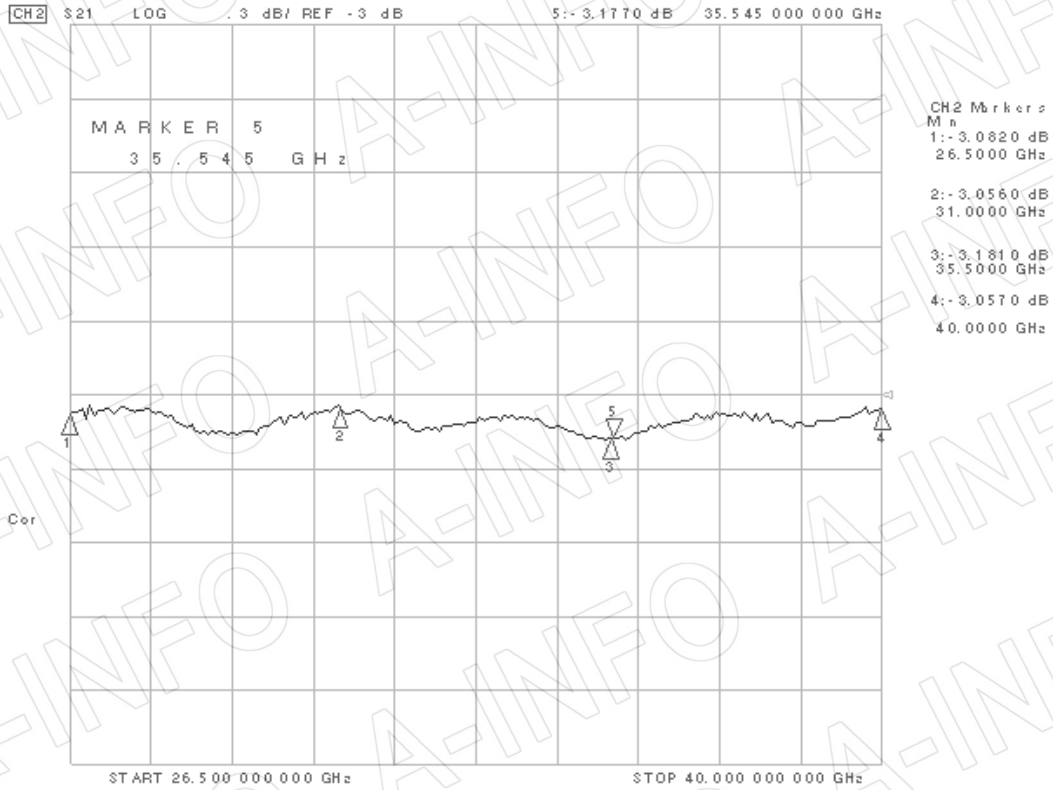
China(Beijing): Tel: (+86) 10-6266-7326,  
China(Chengdu): Tel: (+86) 28-8519-2786,  
USA: Tel: (+1) 949-639-9688,

(+86) 10-6266-7327 Fax: (+86) 10-6266-7379  
(+86) 28-8519-3044 Fax: (+86) 28-8519-3068  
(+1) 949-639-9608 Fax: (+1) 949-639-9670

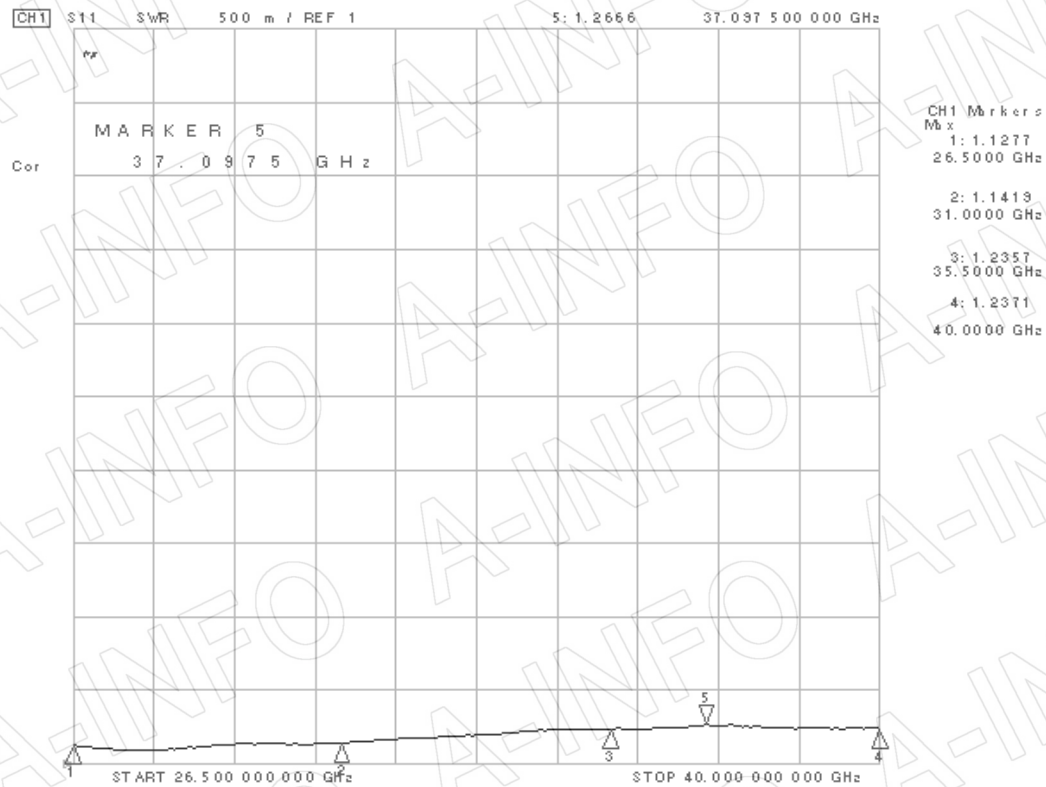
Website: [www.ainfoinc.com](http://www.ainfoinc.com)  
Email: [sales@ainfoinc.com](mailto:sales@ainfoinc.com)

## Test Results

### 1. Insertion Loss(Including the theoretical loss3.0dB)



### 2. VSWR



### 3. Amplitude Balance & Phase Balance

