

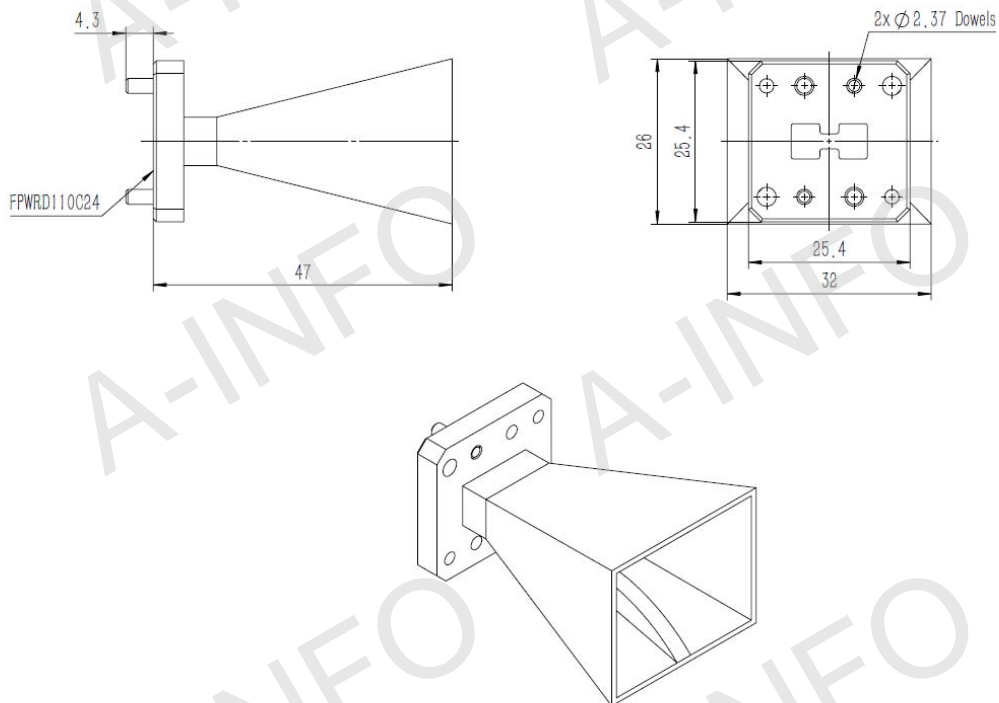
## Technical Specification



Frequency Range(GHz)	11.0 – 26.5	
Gain(dBi)	10 Typ.	
Polarization	Linear	
3dB Beamwidth(deg)	E Plane:	62 - 25
	H Plane:	55 - 28
Cross Pol. Isolation(dB)	30 Typ.	
VSWR	1.5:1 Typ.	
Output	A Type:	FPWRD110C24
	C Type:	SMA-Female
Power Handling(W CW)	50 Max.	
Material	Cu	
Size(mm)	A Type:	32 x 26 x 47
	C Type:	32 x 30.2 x 71
Net Weight(Kg)	A Type:	0.05 Around
	C Type:	0.12 Around

## Outline Drawing (Size: mm)

A Type(With FPWRD110C24 Output)



AINFO Inc.

Page 1 of 10

China(Beijing):  
China(Chengdu):  
USA :

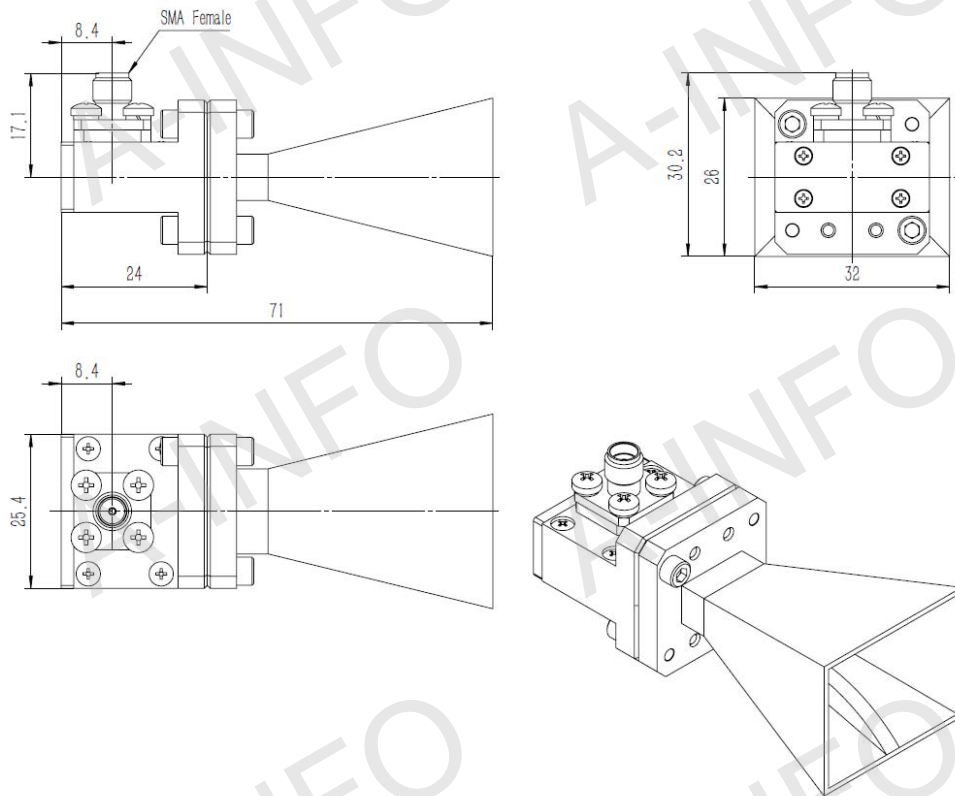
Tel: (+86) 10-6266-7326,  
Tel: (+86) 28-8519-2786,  
Tel: (+1) 949-639-9688,

(+86) 10-6266-7327  
(+86) 28-8519-3044  
(+1) 949-639-9608

Fax: (+86) 10-6266-7379  
Fax: (+86) 28-8519-3068  
Fax: (+1) 949-639-9670

Website: [www.ainfoinc.com](http://www.ainfoinc.com)  
Email: [sales@ainfoinc.com](mailto:sales@ainfoinc.com)

## C Type (With SMA-Female Output)



AINFO Inc.

Page 2 of 10

China(Beijing):  
China(Chengdu):  
USA :

Tel: (+86) 10-6266-7326,  
Tel: (+86) 28-8519-2786,  
Tel: (+1) 949-639-9688,

(+86) 10-6266-7327  
(+86) 28-8519-3044  
(+1) 949-639-9608

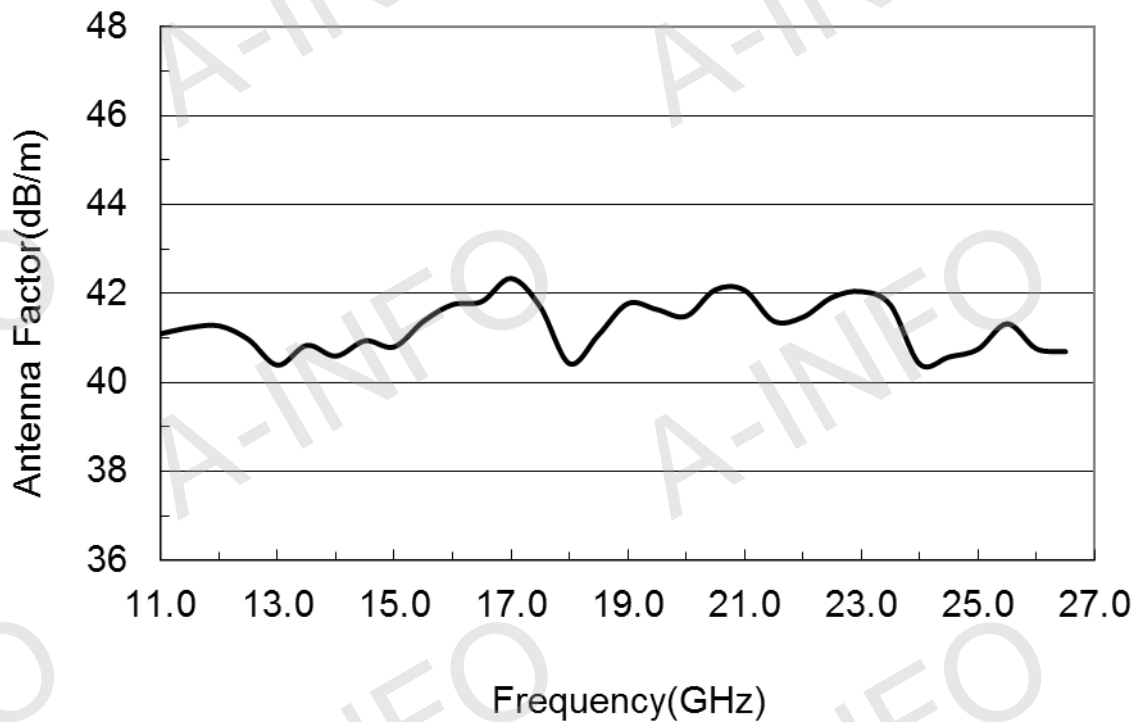
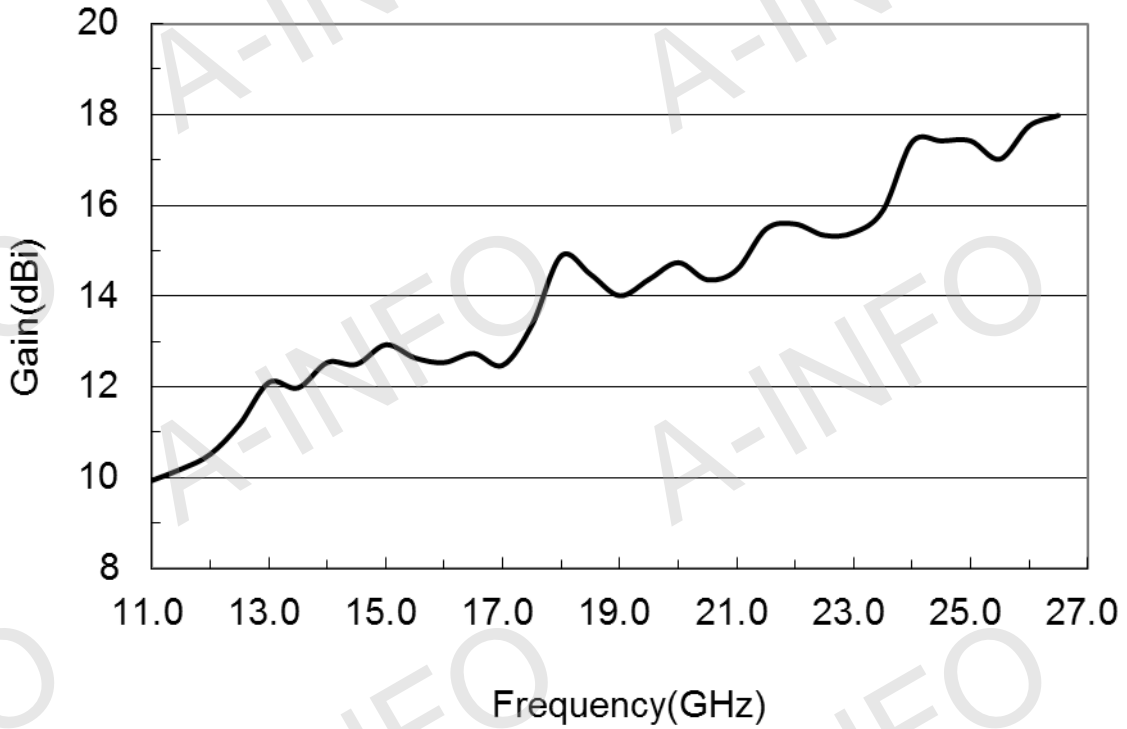
Fax: (+86) 10-6266-7379  
Fax: (+86) 28-8519-3068  
Fax: (+1) 949-639-9670

Website: [www.ainfoinc.com](http://www.ainfoinc.com)  
Email: [sales@ainfoinc.com](mailto:sales@ainfoinc.com)

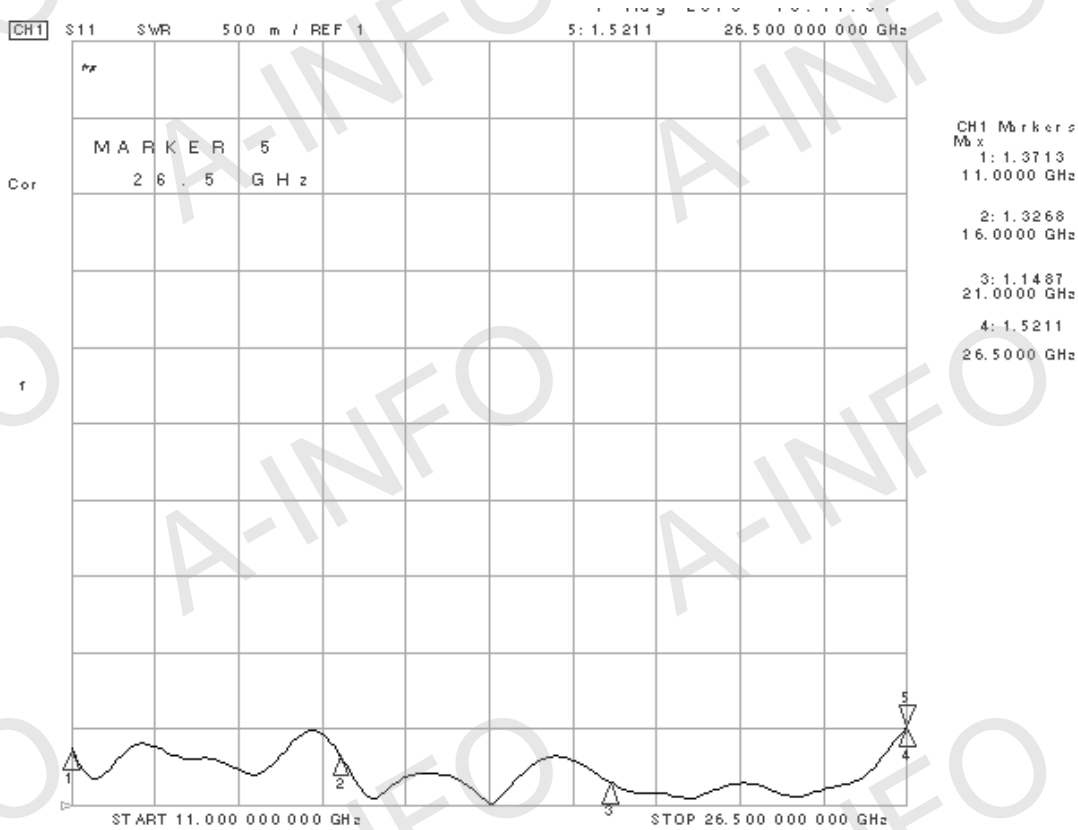


## Test Results

### 1. Gain & Antenna Factor



## 2. VSWR



## 3. Pattern

