

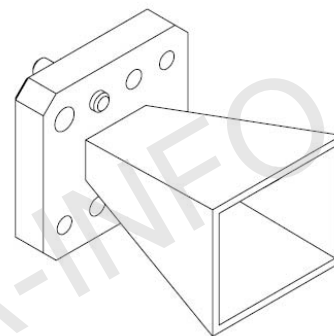
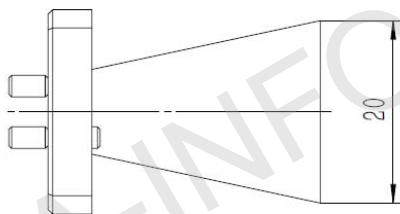
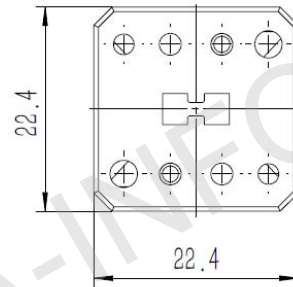
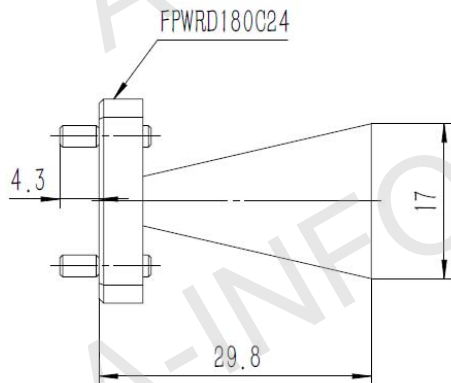
Technical Specification



Frequency Range(GHz)	18 - 40
Gain(dBi)	10 Typ.
Polarization	Linear
3dB Beamwidth(deg)	E Plane: 54 - 27
	H Plane: 52 - 28
Cross Pol. Isolation(dB)	40 Typ.
VSWR	1.5:1 Typ.
Output	A Type: FPWRD180C24
	C Type: 2.92mm-Female or 2.4mm-Female
Power Handling(W)	2.92mm-F: 20 Max. CW
	2.4mm-F: 10 Max. CW
Material	Cu
Size(mm)	A Type: 22.4 x 22.4 x 29.8
	C Type: 22.4 x 26.3 x 55.8
Net Weight(Kg)	A Type: 0.02 Around
	C Type: 0.06 Around

Outline Drawing (Size: mm)

A Type(With FPWRD180C24 Output)



AINFO Inc.

Page 1 of 16

China(Beijing):
China(Chengdu):
USA :

Tel: (+86) 10-6266-7326,
Tel: (+86) 28-8519-2786,
Tel: (+1) 949-639-9688,

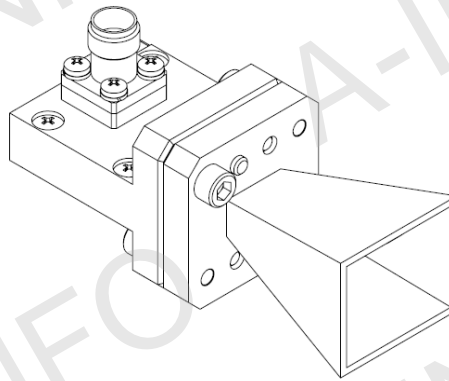
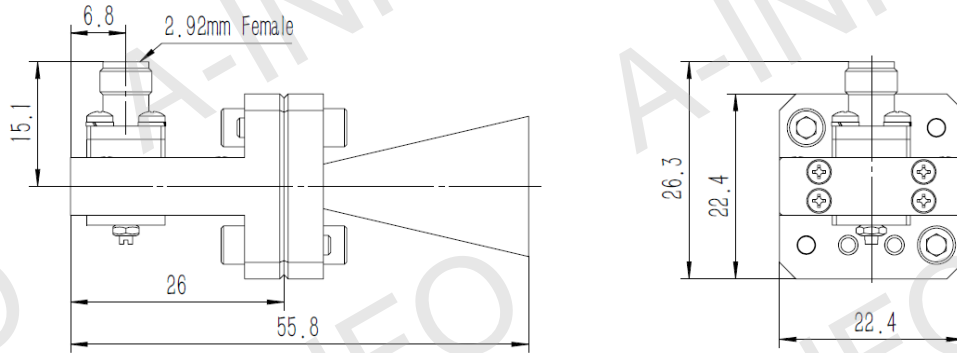
(+86) 10-6266-7327
(+86) 28-8519-3044
(+1) 949-639-9608

Fax: (+86) 10-6266-7379
Fax: (+86) 28-8519-3068
Fax: (+1) 949-639-9670

Website: www.ainfoinc.com
Email: sales@ainfoinc.com

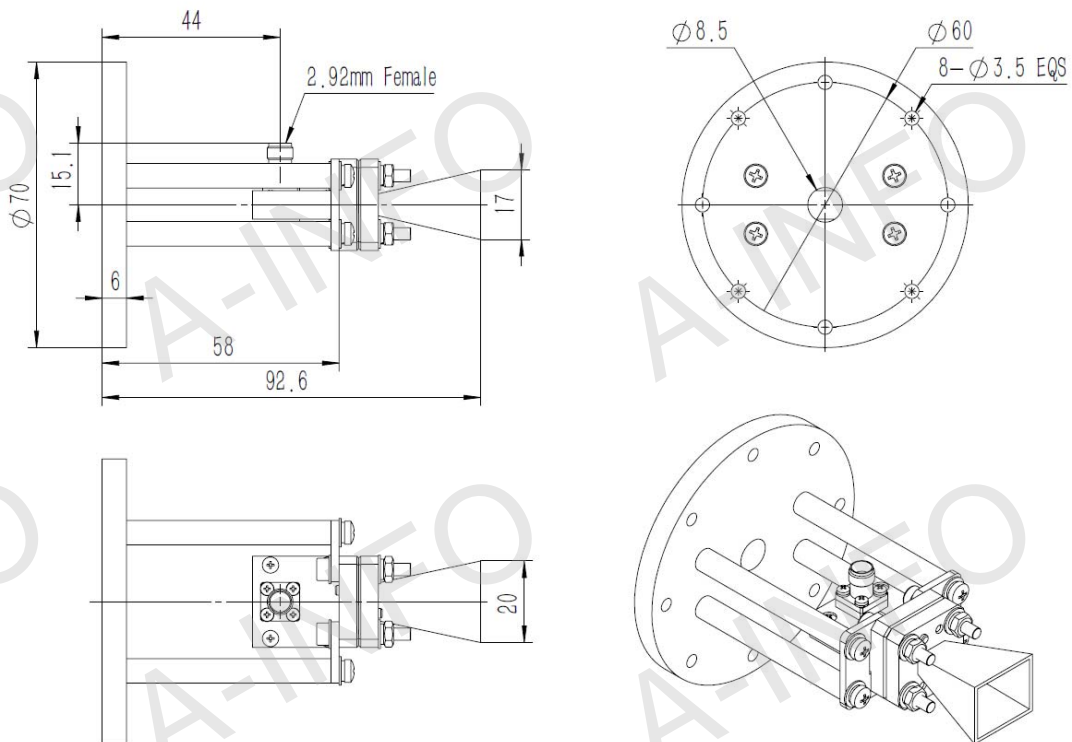
C Type (With 2.92mm-Female Output)

For 2.4mm-Female output outline drawing, please contact A-INFO.



C Type (With 2.92mm-Female Output & Round Mounting Bracket)

For 2.4mm-Female output outline drawing, please contact A-INFO.



AINFO Inc.

Page 2 of 16

China(Beijing):
China(Chengdu):
USA :

Tel: (+86) 10-6266-7326,
Tel: (+86) 28-8519-2786,
Tel: (+1) 949-639-9688,

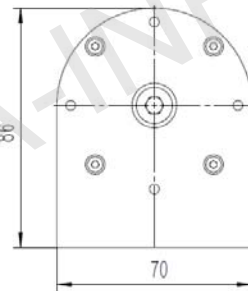
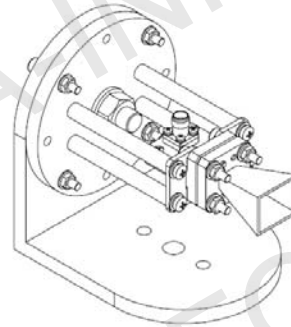
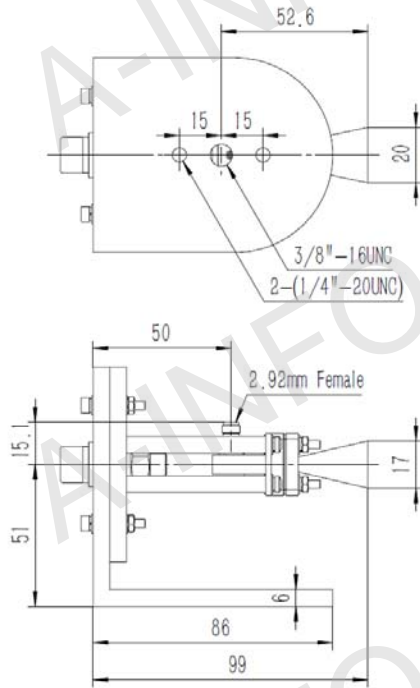
(+86) 10-6266-7327
(+86) 28-8519-3044
(+1) 949-639-9608

Fax: (+86) 10-6266-7379
Fax: (+86) 28-8519-3068
Fax: (+1) 949-639-9670

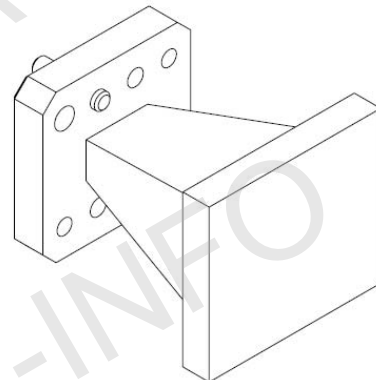
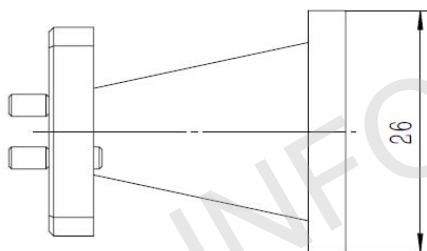
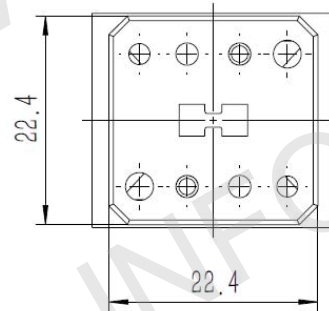
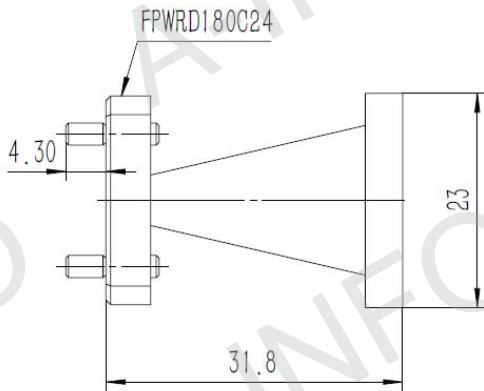
Website: www.ainfoinc.com
Email: sales@ainfoinc.com

C Type (With 2.92mm-Female Output & L Type Mounting Bracket)

For 2.4mm-Female output outline drawing, please contact A-INFO.

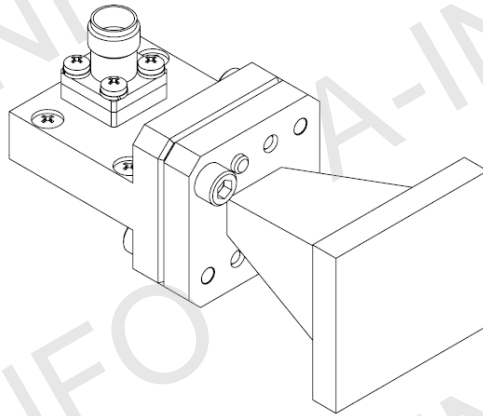
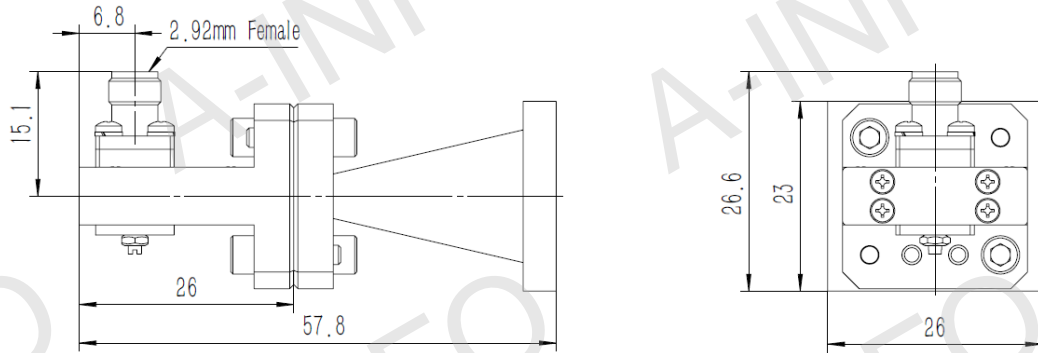


A Type (With Radome)



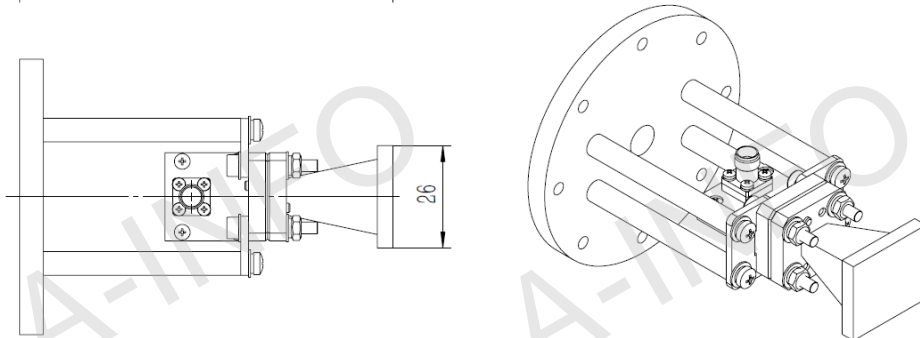
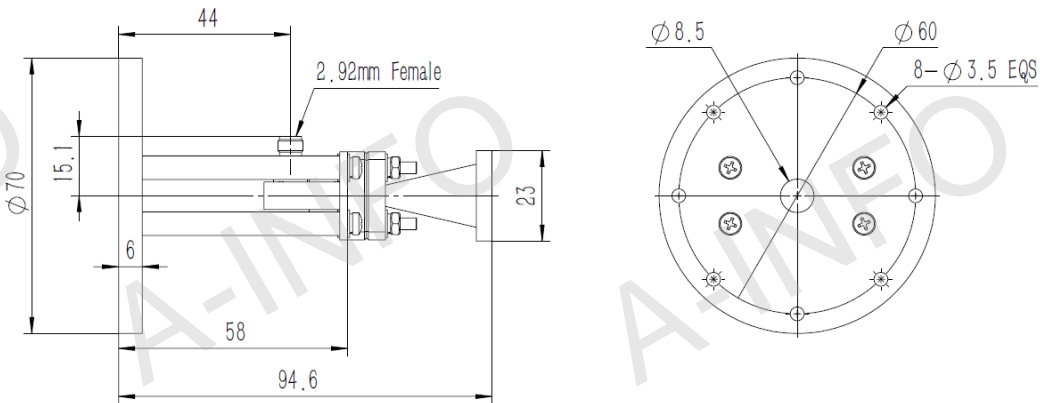
C Type (With 2.92mm-Female Output & Radome)

For 2.4mm-Female output outline drawing, please contact A-INFO.



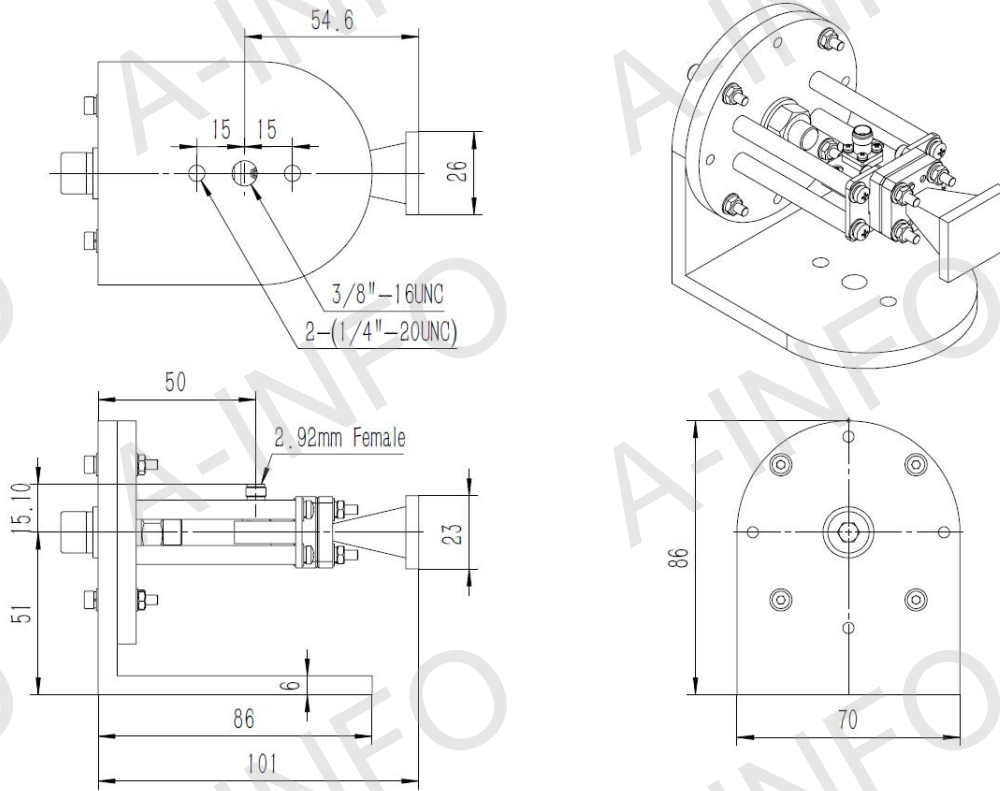
C Type (With 2.92mm-Female Output & Round Mounting Bracket & Radome)

For 2.4mm-Female output outline drawing, please contact A-INFO.



C Type (With 2.92mm-Female Output & L Type Mounting Bracket & Radome)

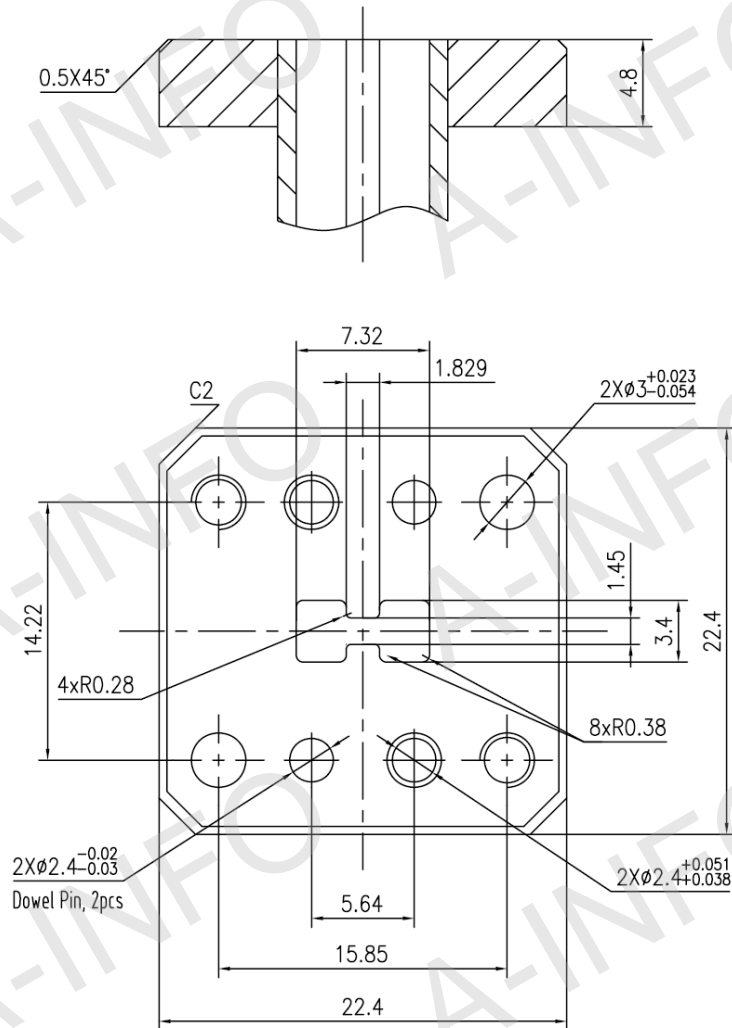
For 2.4mm-Female output outline drawing, please contact A-INFO.



Flange Drawing (Size: mm)

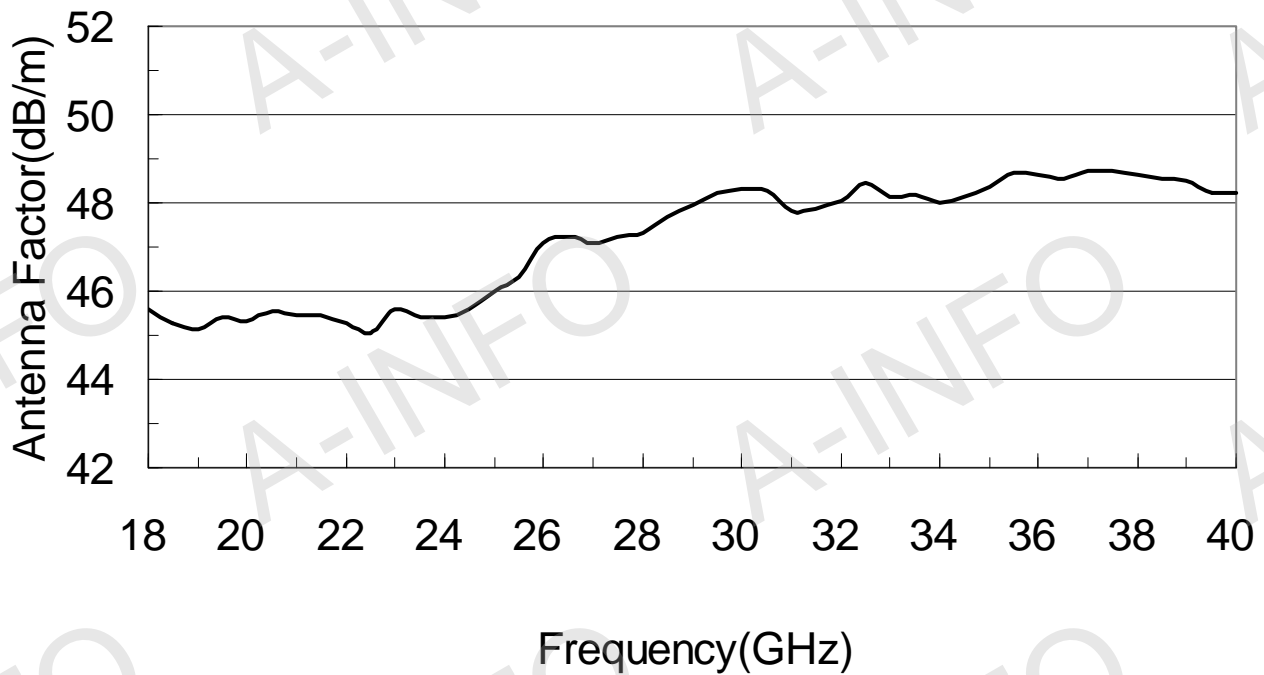
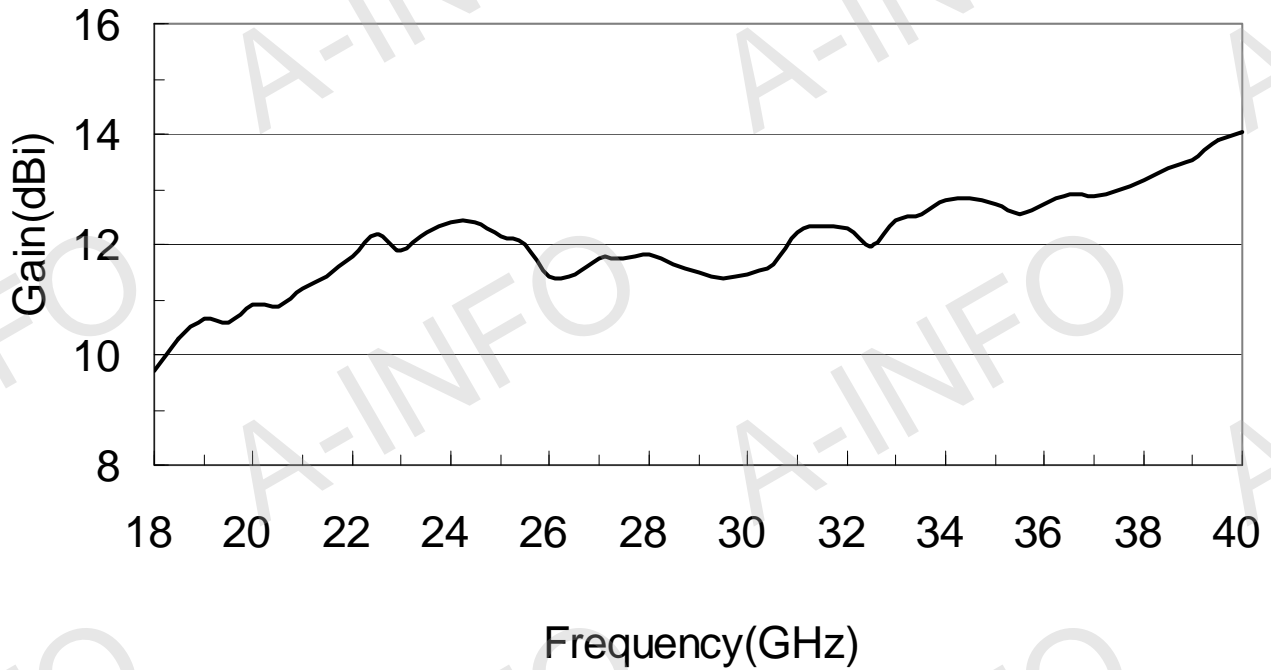
FPWRD180C24

(With two through mounting holes
and two screws holes)

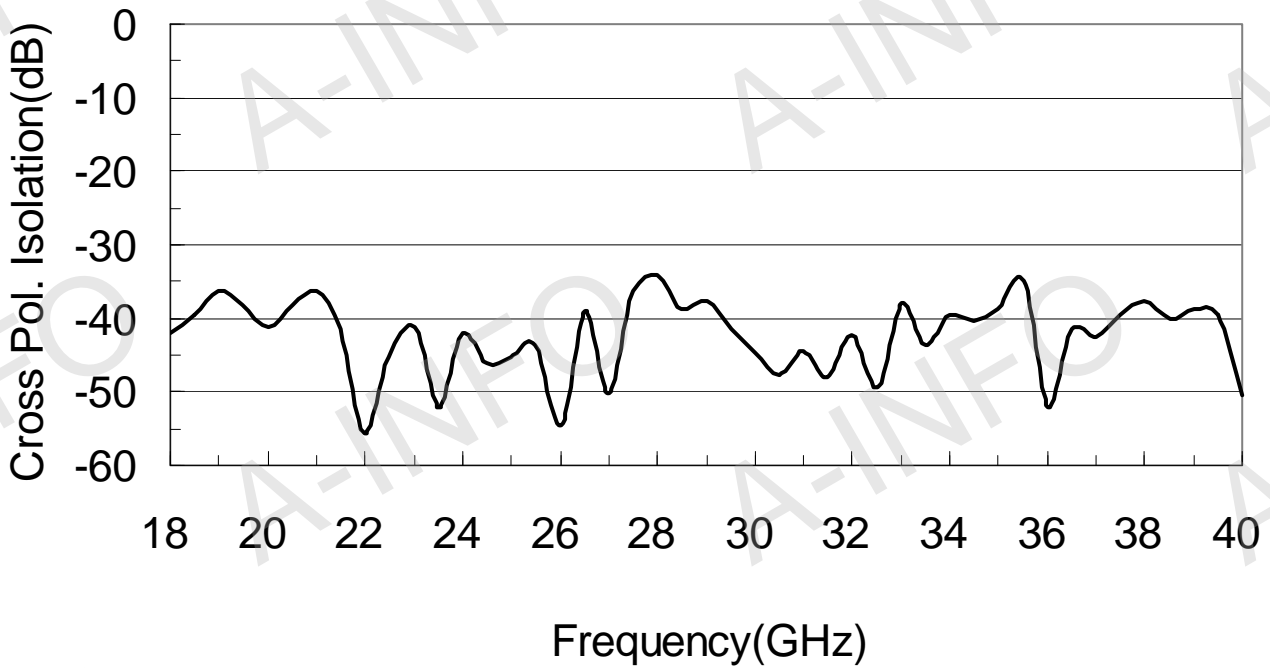


Test Results

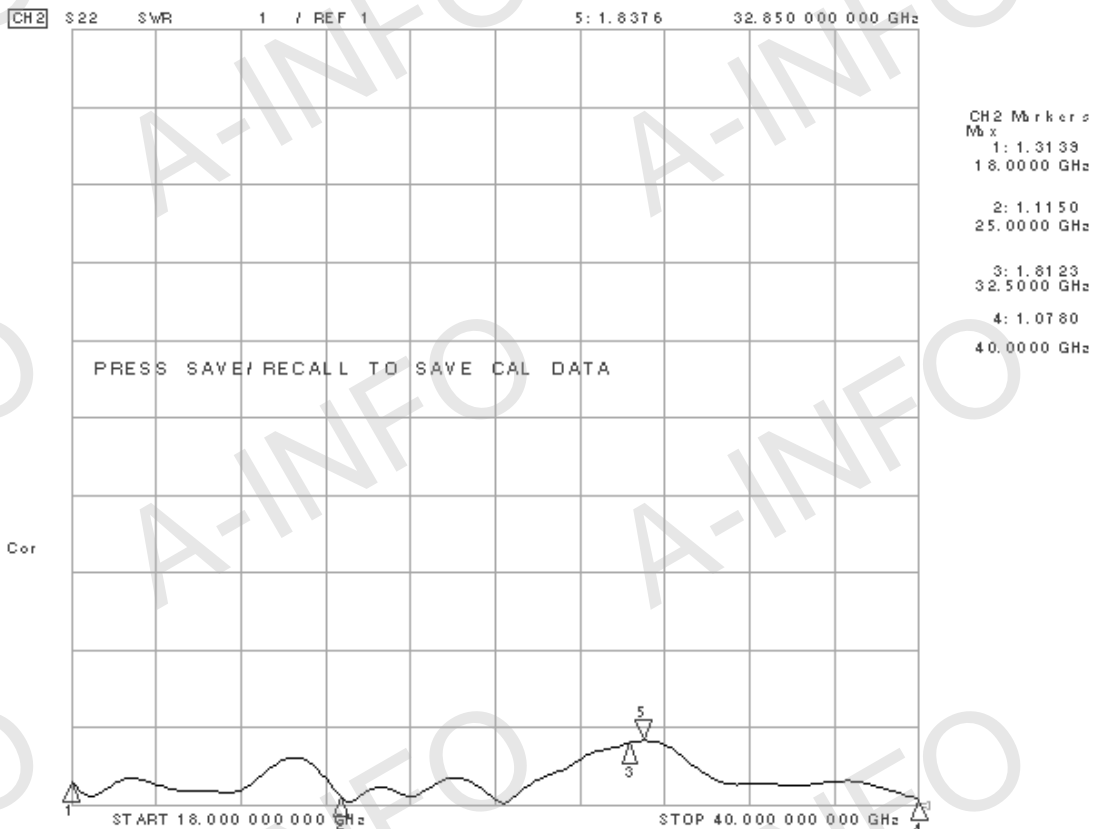
1. Gain & Antenna Factor



2. Cross Polarization Isolation



3. VSWR



4. Pattern

