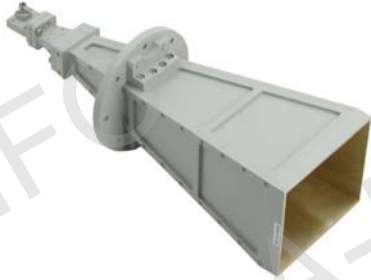


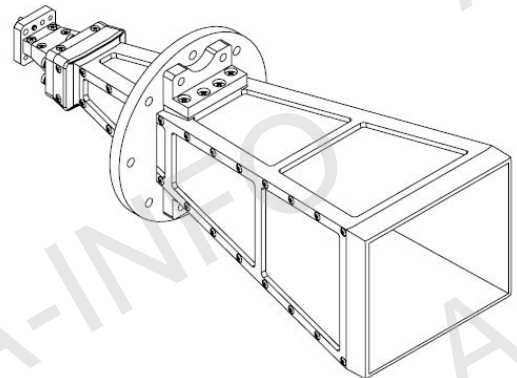
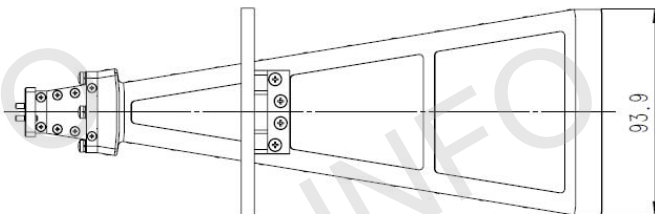
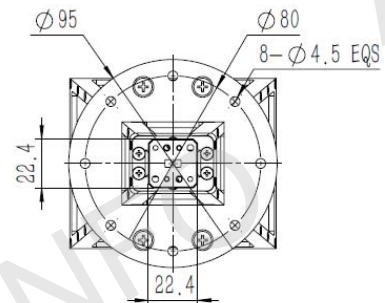
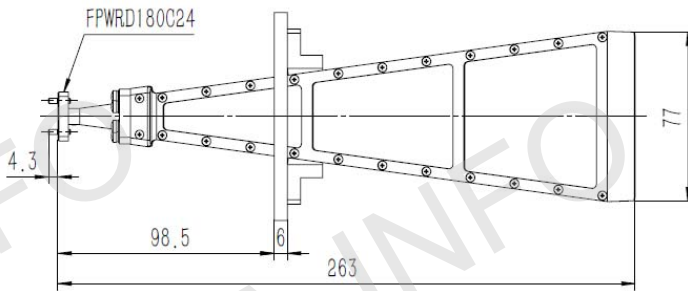
## Technical Specification



Frequency Range(GHz)	18 - 40
Gain(dBi)	25 Typ.
Polarization	Linear
3dB Beamwidth(deg)	E Plane: 12 - 5
	H Plane: 13 - 7
Cross Pol. Isolation(dB)	40 Typ.
VSWR	1.5:1 Typ.
Output	A Type: FPWRD180C24
	C Type: 2.92mm-Female or 2.4mm-Female
Power Handling(W)	2.92mm-F: 20 Max. CW
	2.4mm-F: 10 Max. CW
Material	Cu
Size(mm)	A Type: 95 x 95 x 263
	C Type: 95 x 95 x 289
Net Weight(Kg)	A Type: 0.54 Around
	C Type: 0.58 Around

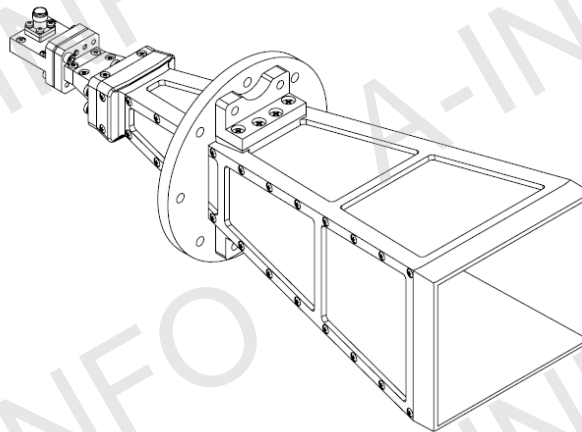
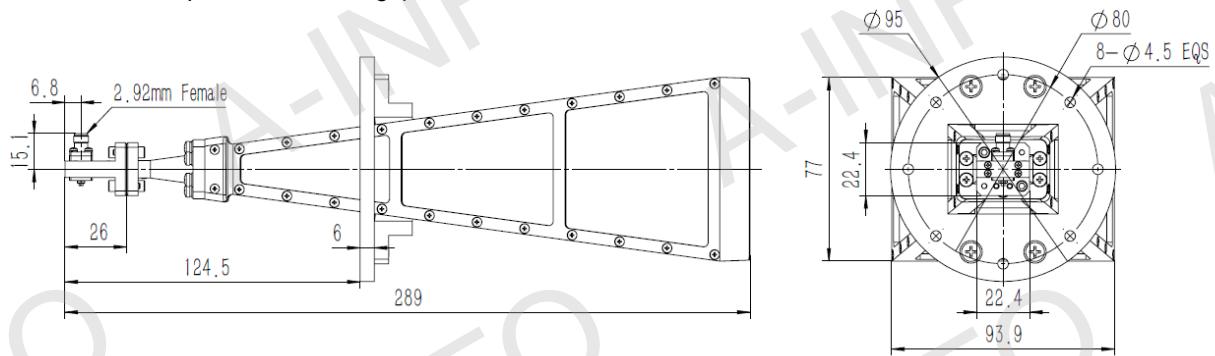
## Outline Drawing (Size: mm)

A Type(With FPWRD180C24 Output)



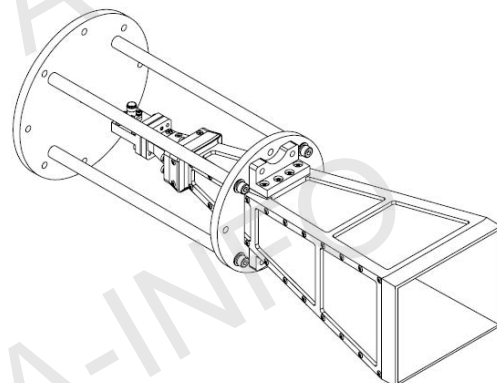
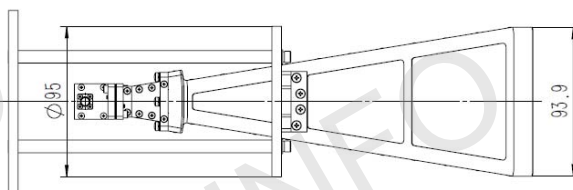
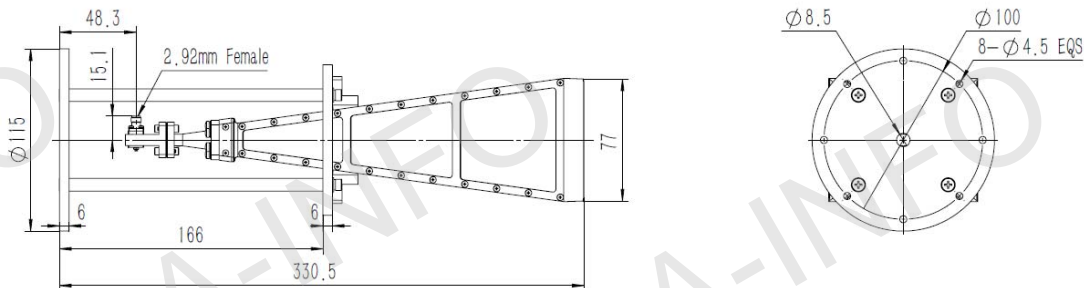
## C Type (With 2.92mm-Female Output)

For 2.4mm-Female output outline drawing, please contact A-INFO.



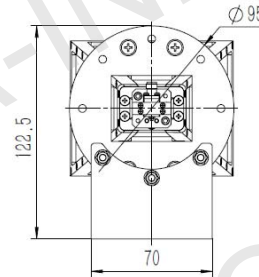
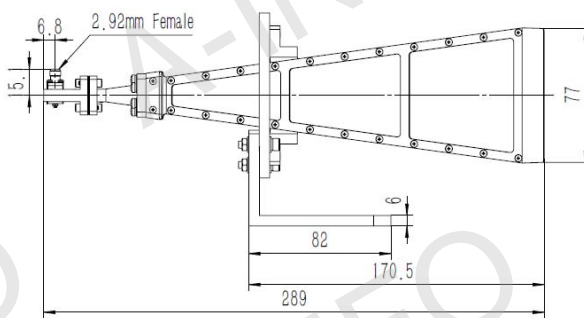
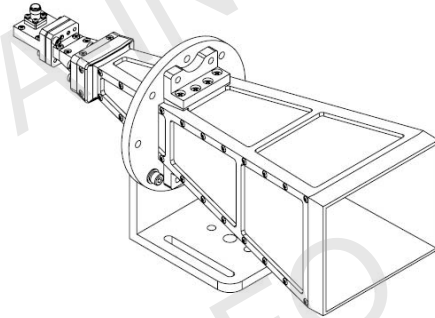
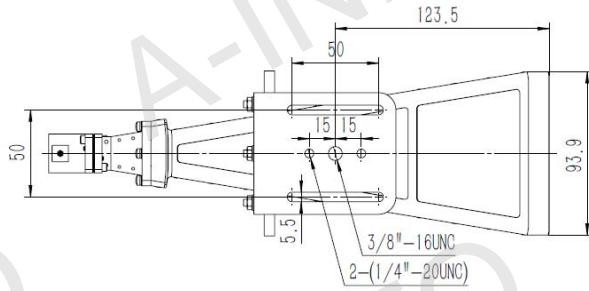
## C Type (With 2.92mm-Female Output & Round Mounting Bracket)

For 2.4mm-Female output outline drawing, please contact A-INFO.

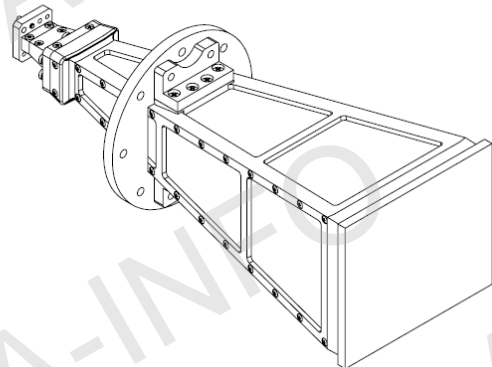
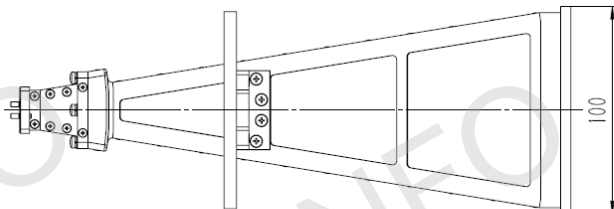
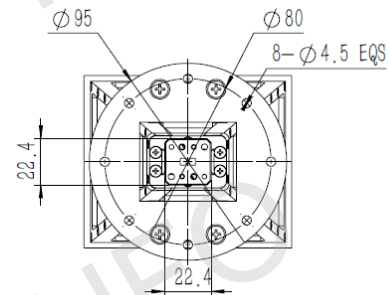
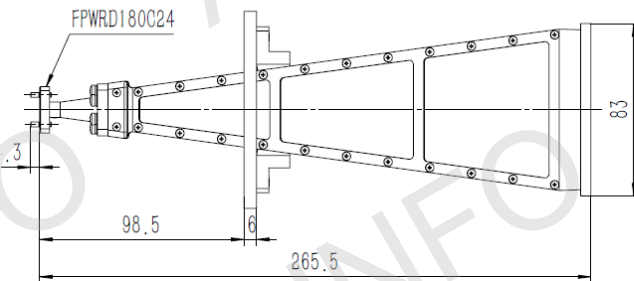


## C Type (With 2.92mm-Female Output & L Type Mounting Bracket)

For 2.4mm-Female output outline drawing, please contact A-INFO.

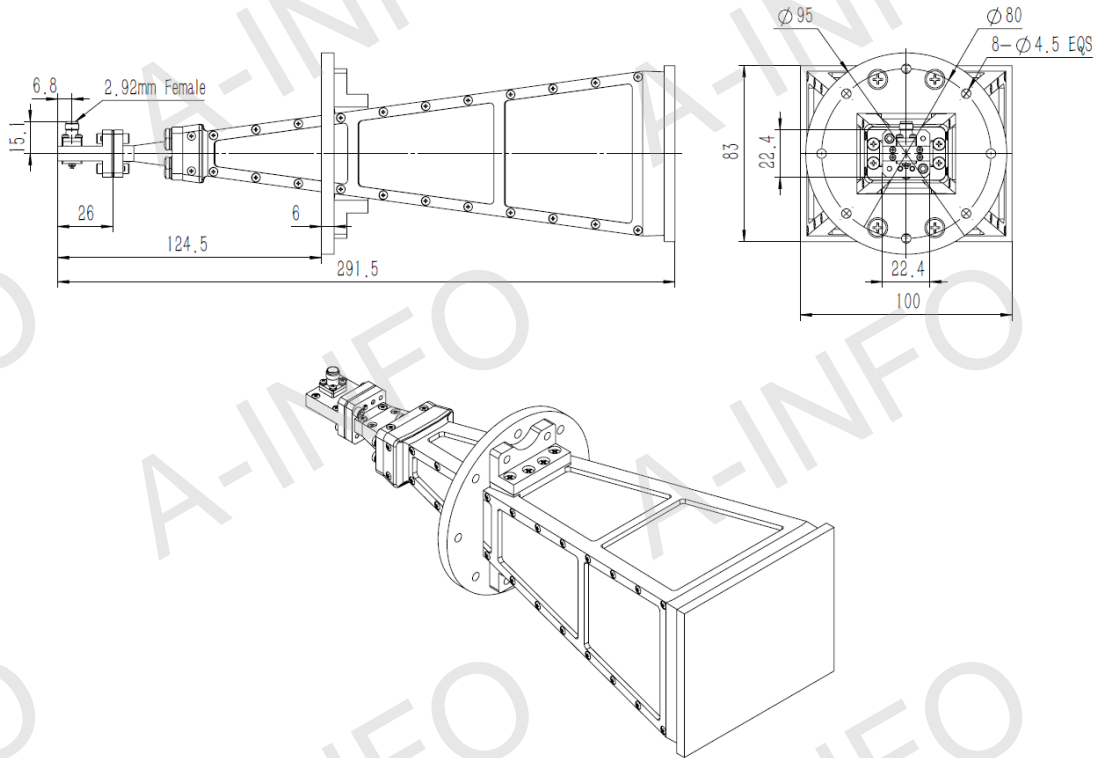


## A Type (With Radome)



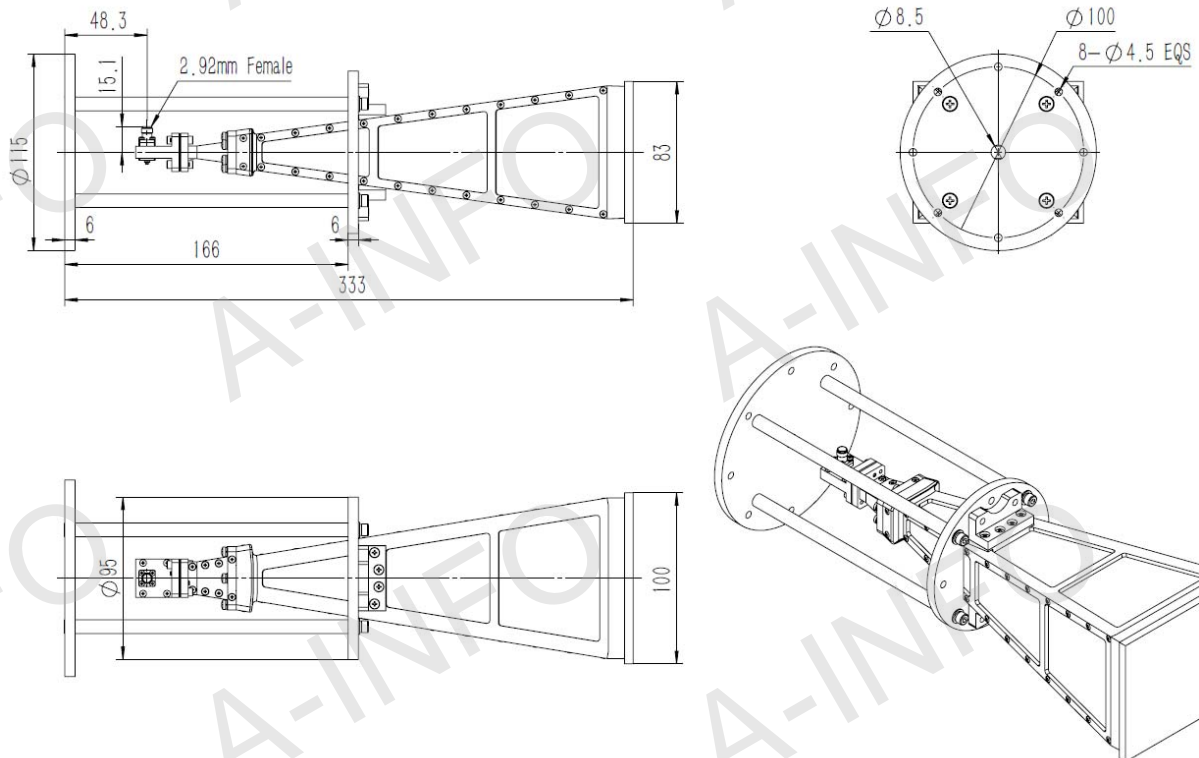
## C Type (With 2.92mm-Female Output & Radome)

For 2.4mm-Female output outline drawing, please contact A-INFO.



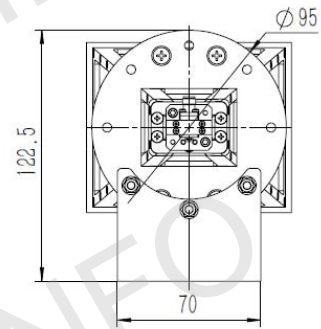
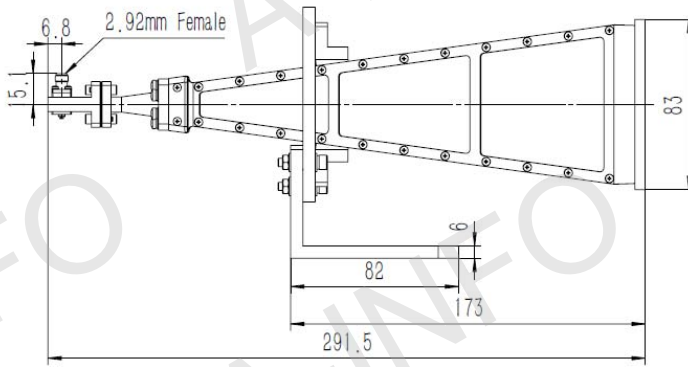
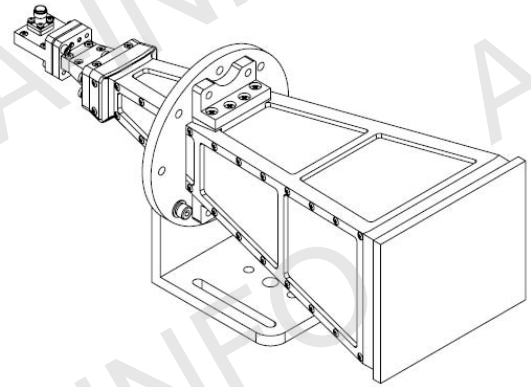
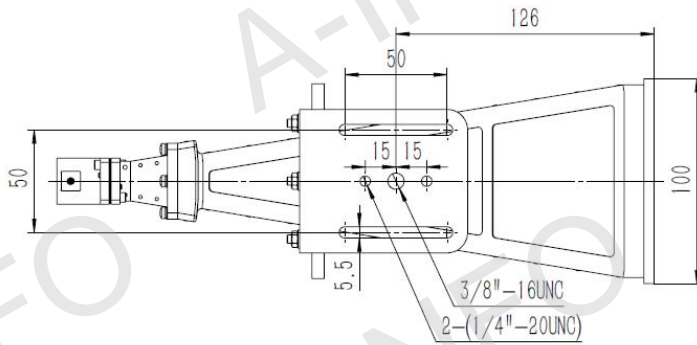
## C Type (With 2.92mm-Female Output & Round Mounting Bracket & Radome)

For 2.4mm-Female output outline drawing, please contact A-INFO.



## C Type (With 2.92mm-Female Output & L Type Mounting Bracket & Radome)

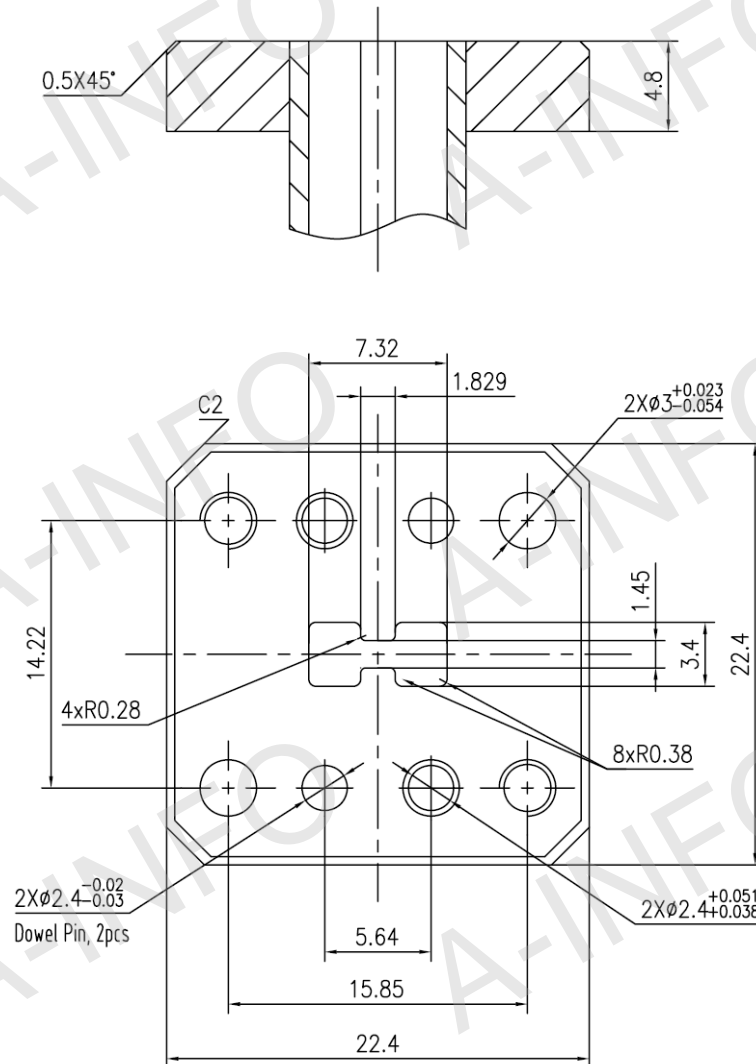
For 2.4mm-Female output outline drawing, please contact A-INFO.





## Flange Drawing (Size: mm)

### FPWRD180C24 (With two through mounting holes and two screws holes)



AINFO Inc.

Page 6 of 16

China(Beijing):  
China(Chengdu):  
USA :

Tel: (+86) 10-6266-7326,  
Tel: (+86) 28-8519-2786,  
Tel: (+1) 949-639-9688,

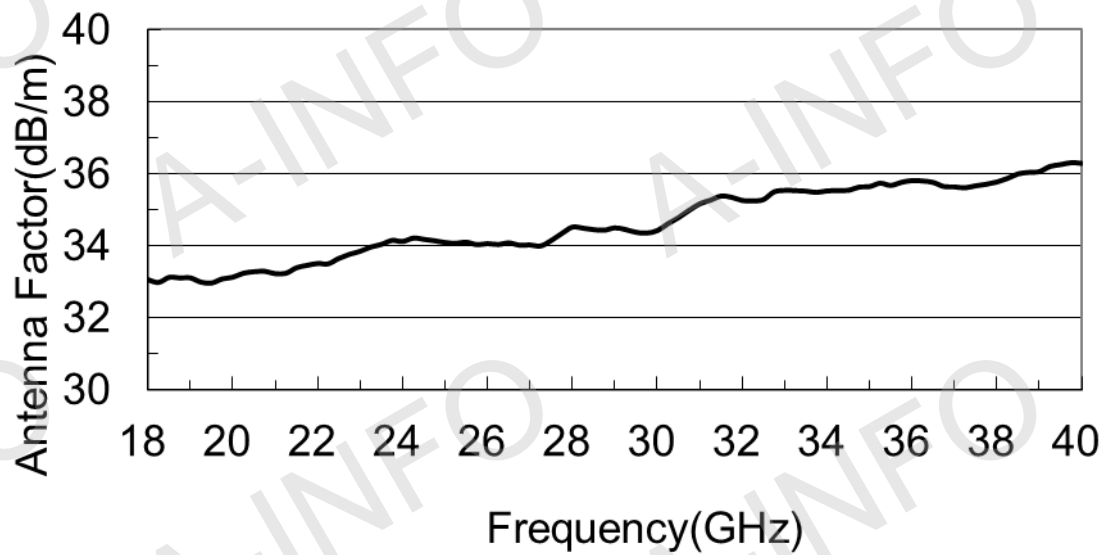
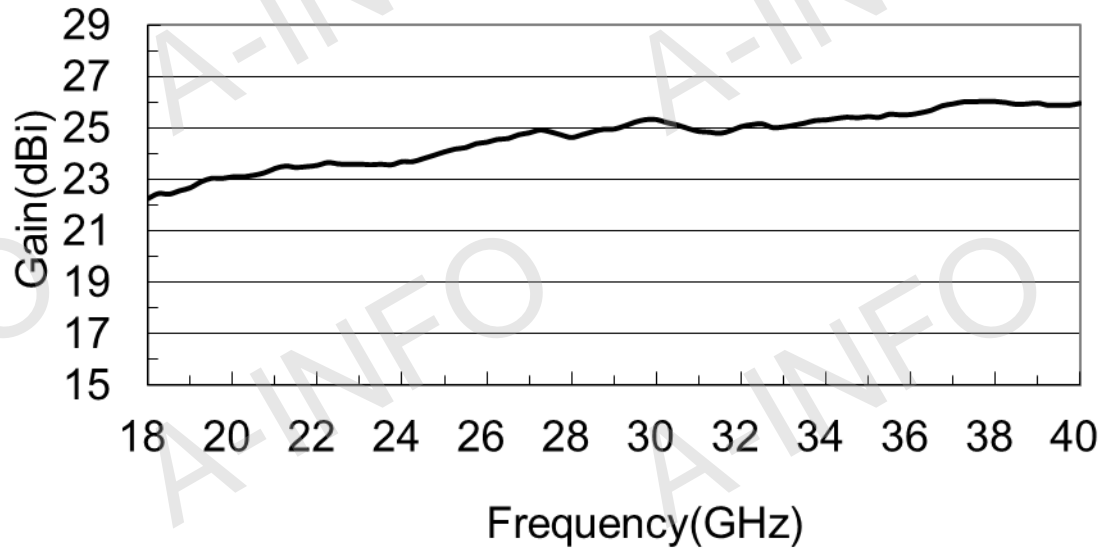
(+86) 10-6266-7327  
(+86) 28-8519-3044  
(+1) 949-639-9608

Fax: (+86) 10-6266-7379  
Fax: (+86) 28-8519-3068  
Fax: (+1) 949-639-9670

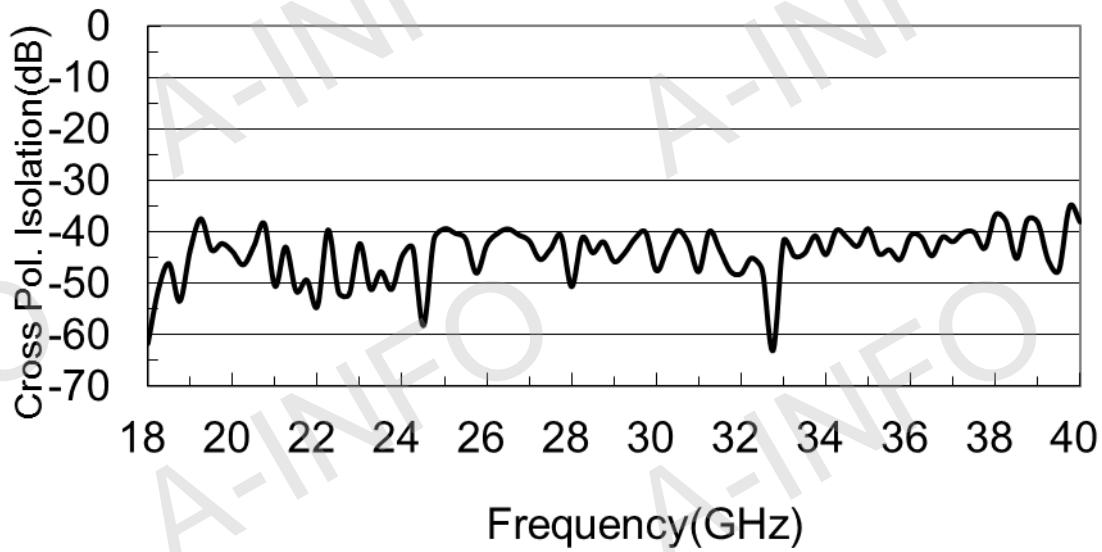
Website: [www.ainfoinc.com](http://www.ainfoinc.com)  
Email: [sales@ainfoinc.com](mailto:sales@ainfoinc.com)

## Test Results

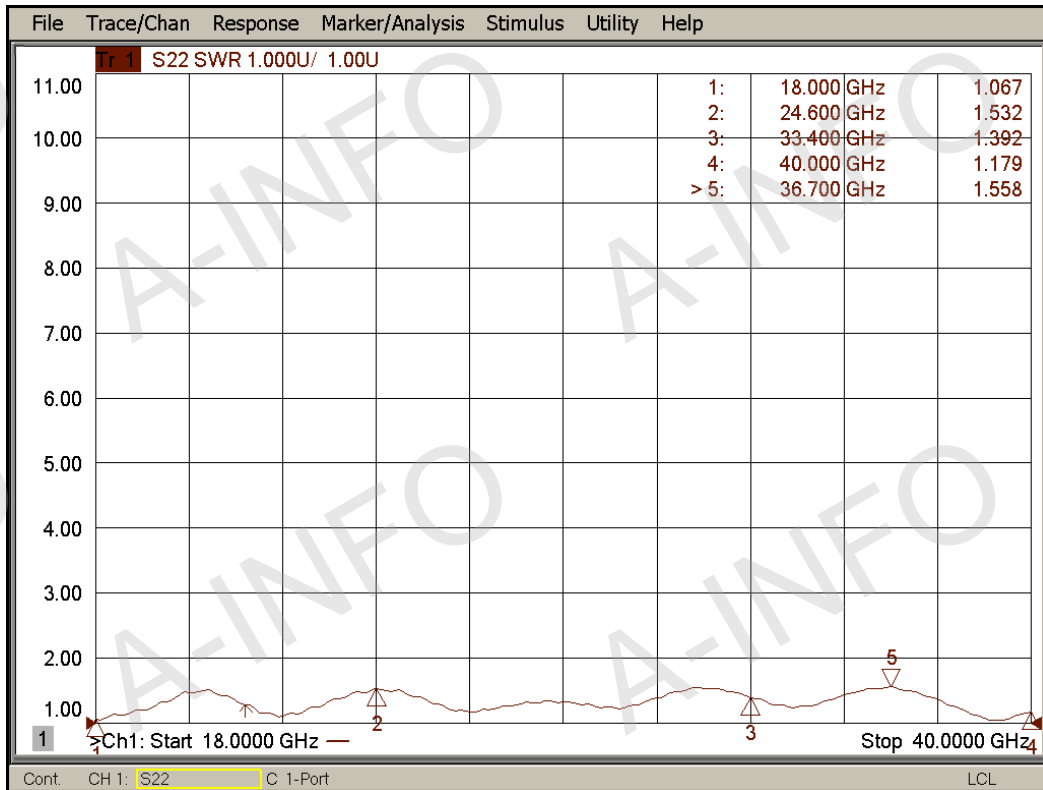
### 1. Gain & Antenna Factor



## 2. Cross Polarization Isolation



## 3. VSWR





## 4. Pattern

