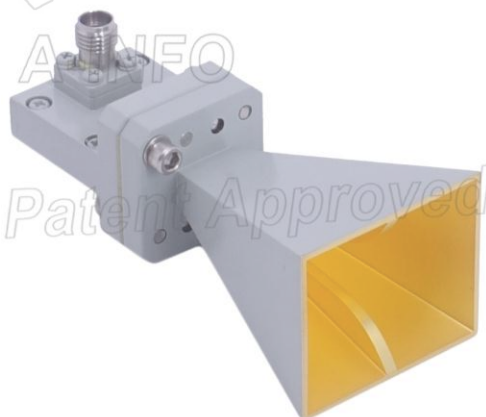


Technical Specification



Frequency Range(GHz)	18.0 – 40.0	
Gain(dBi)	15 Typ.	
Polarization	Linear	
3dB Beamwidth(deg)	E Plane:	42 - 21
	H Plane:	45 - 17
Cross Pol. Isolation(dB)	30 Typ.	
VSWR	1.5:1 Typ.	
	2.0:1 Max.	
Connector	2.92mm-Female	
	or 2.4mm-Female	
Power Handling(W CW)	2.92mm-F:	20 Max.
	2.4mm-F:	10 Max.
Material	Cu	
Size(mm)	32 x 28.6 x 71	
Net Weight(Kg)	0.08 Around	

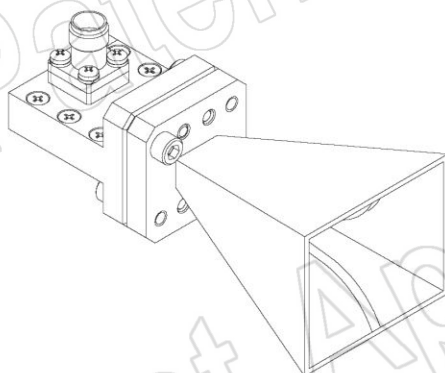
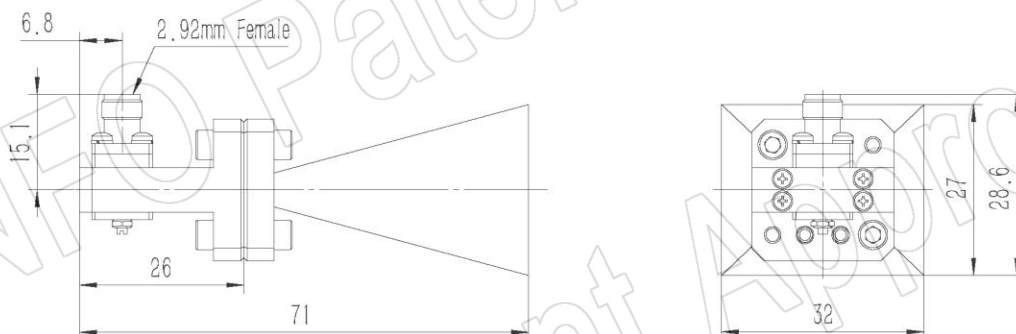
PATENT ID (China)

ZL201630454584.X

Outline Drawing (Size: mm)

2.92mm-Female Output (P/N: LB-180400-KF)

For 2.4mm-Female output outline drawing, please contact A-INFO.



AINFO Inc.

Page 1 of 14

China(Beijing):
China(Chengdu):
USA :

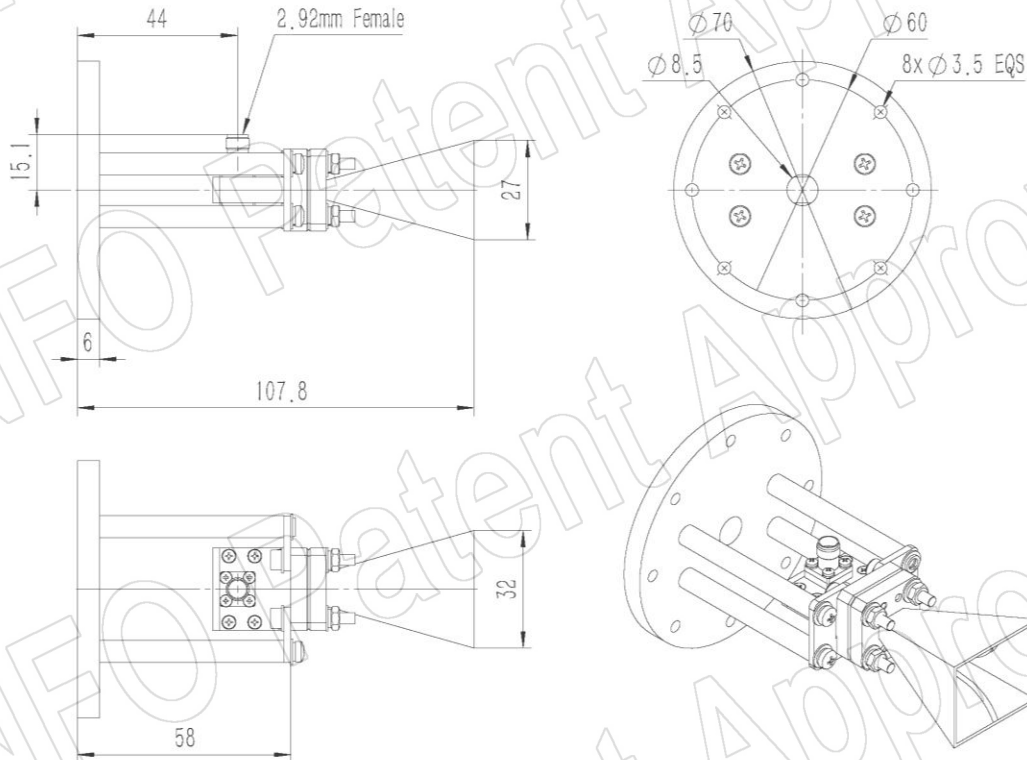
Tel: (+86)10-6266-7326,
Tel: (+86) 28-8519-2786,
Tel: (+1)949-639-9688,

(+86) 10-6266-7327
(+86) 28-8519-3044
(+1) 949-639-9608

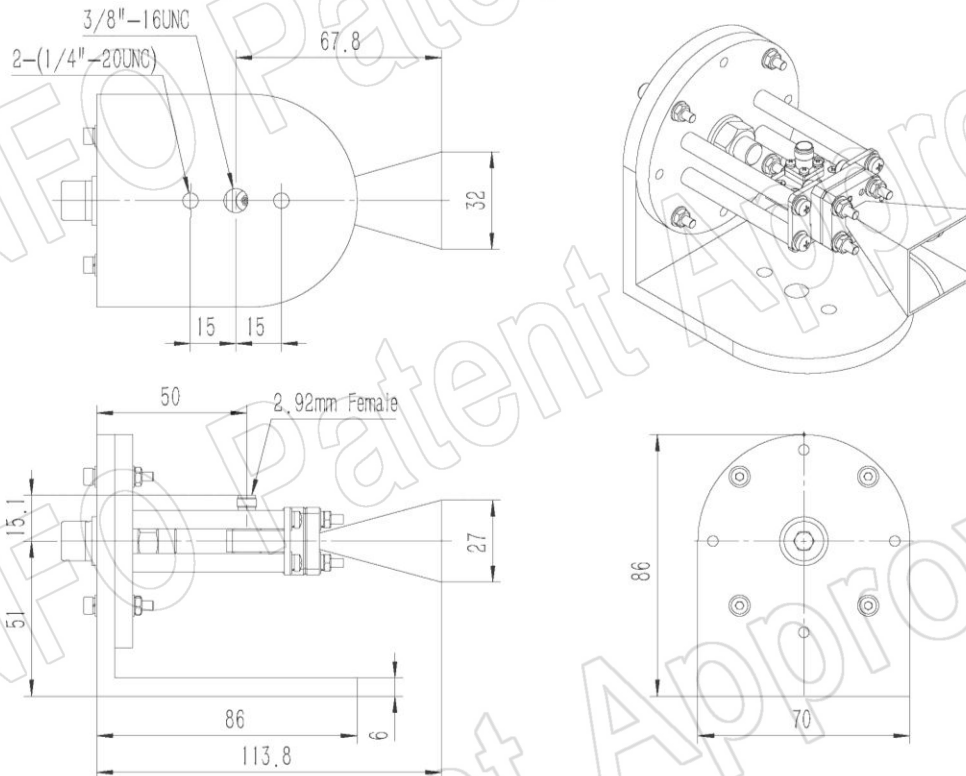
Fax: (+86) 10-6266-7379
Fax: (+86) 28-8519-3068
Fax: (+1) 949-639-9670

Website: www.ainfoinc.com
Email: sales@ainfoinc.com

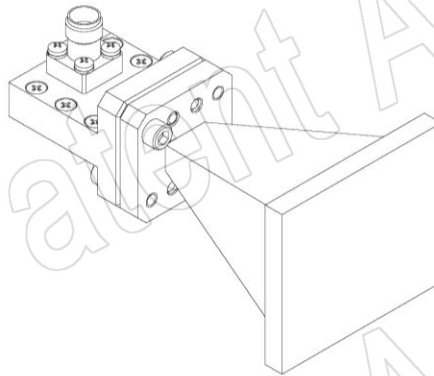
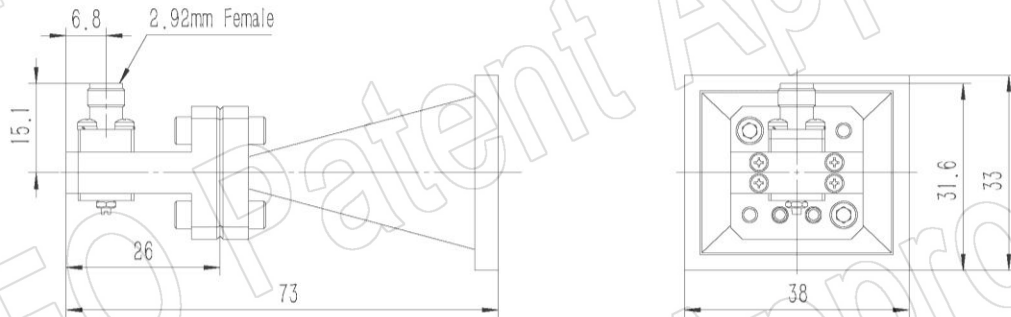
2.92mm-Female Output with Round Mounting Bracket (Option, P/N: LB-180400-10-C-MB)
For 2.4mm-Female output outline drawing, please contact A-INFO.



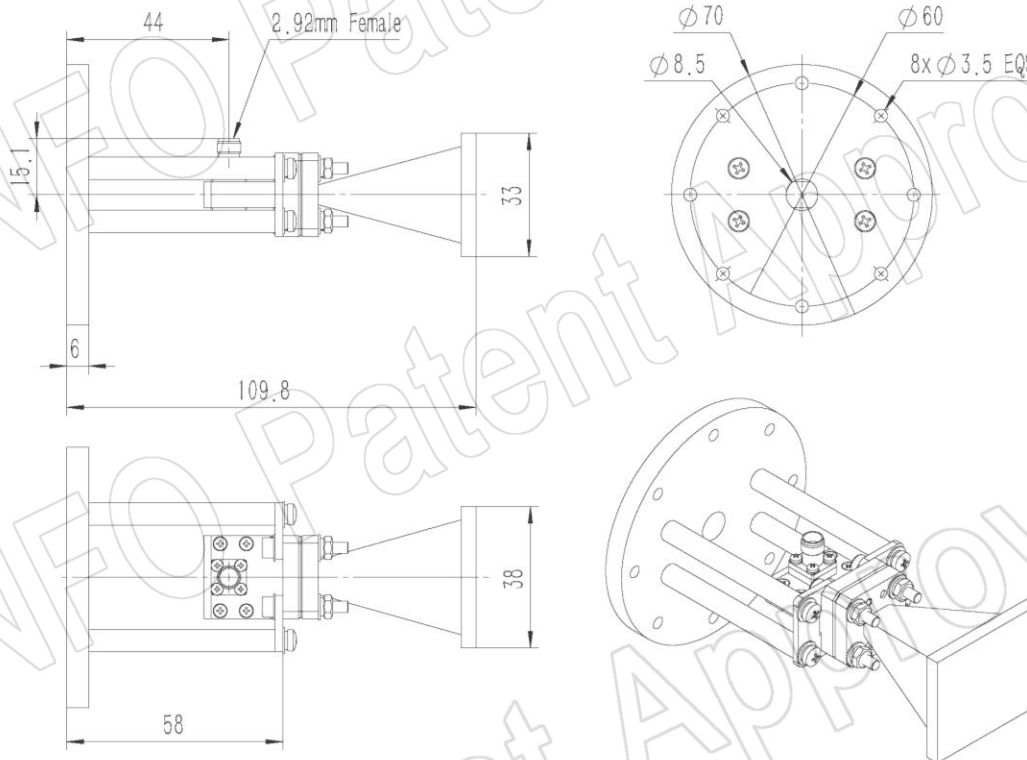
2.92mm-Female Output with L Type Mounting Bracket (Option, P/N: LB-180400-10-C-MBL)
For 2.4mm-Female output outline drawing, please contact A-INFO.



2.92mm-Female Output with Radome (Option, P/N: LB-180400-KFSPO, Outdoor Application)
 For 2.4mm-Female output outline drawing, please contact A-INFO.

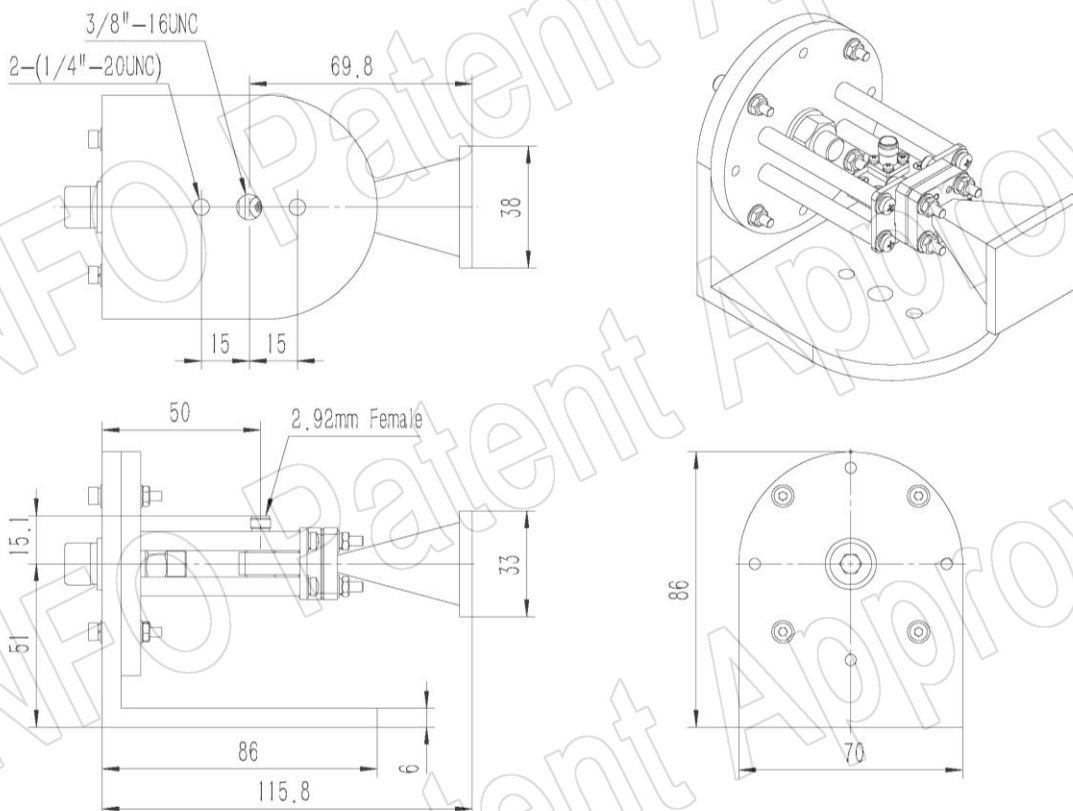


2.92mm-Female Output with Round Mounting Bracket & Radome (Option, P/N: LB-180400-10-C-MB & LB-180400-KFSPO, Outdoor Application)
 For 2.4mm-Female output outline drawing, please contact A-INFO.



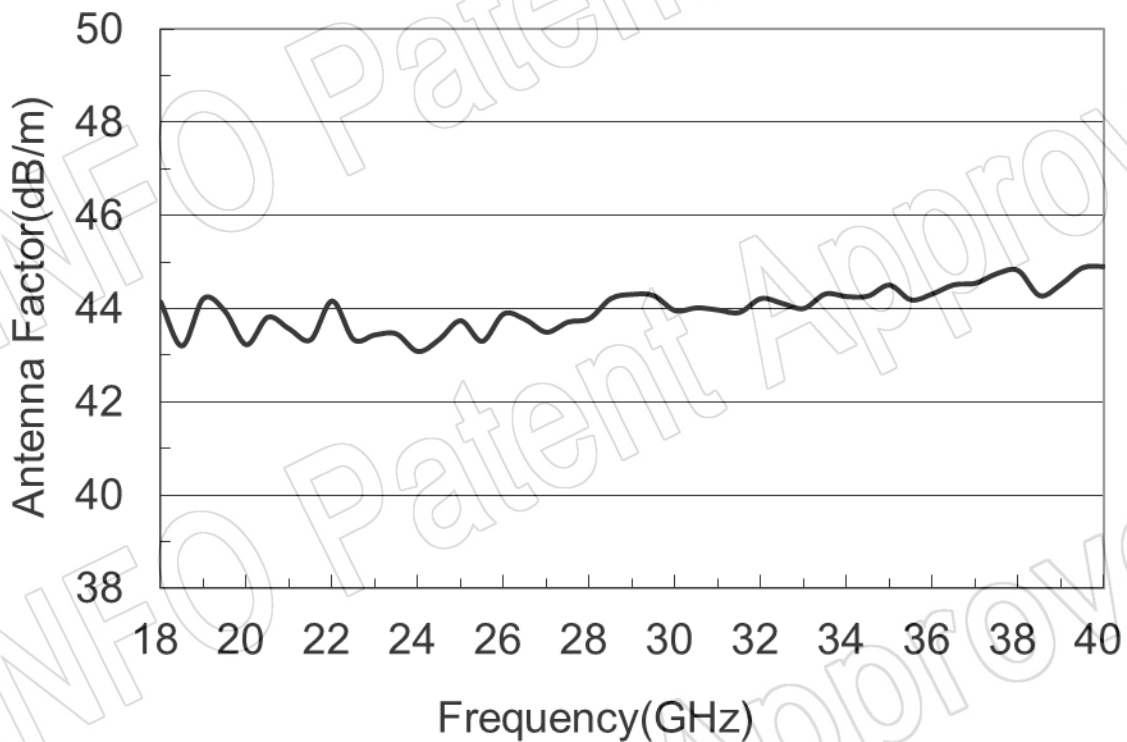
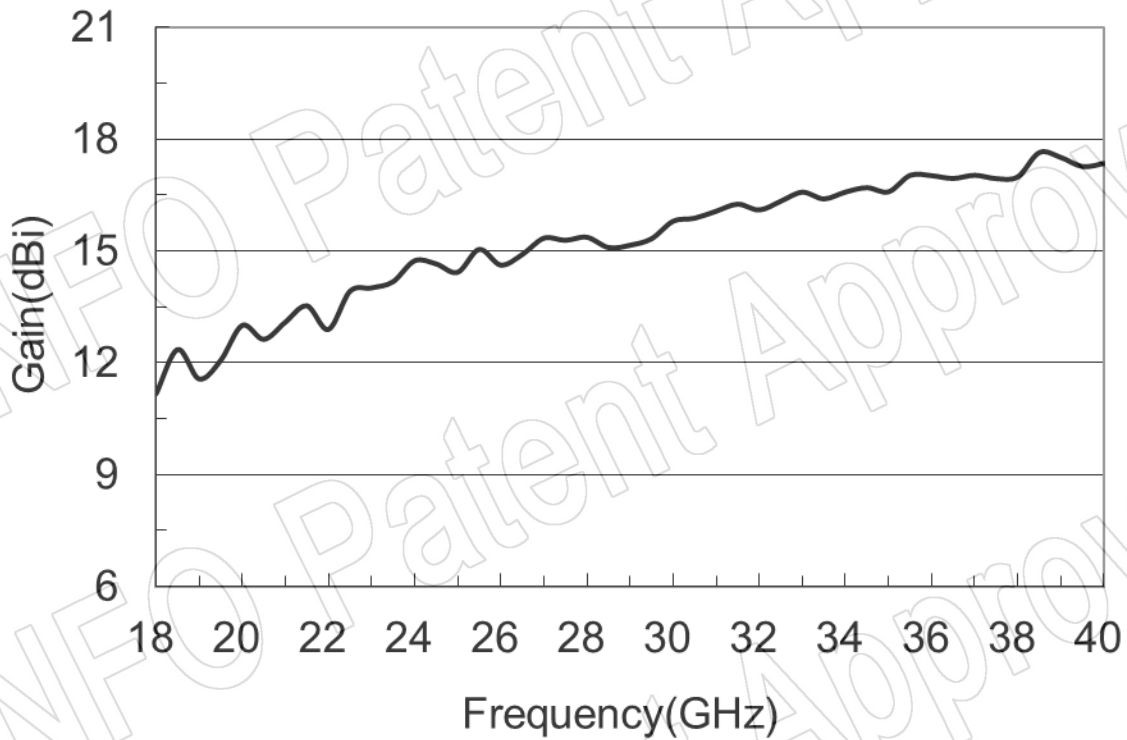
2.92mm-Female Output with L Type Mounting Bracket & Radome (Option, P/N: LB-180400-10-C-MBL & LB-180400-KFSPO, Outdoor Application)

For 2.4mm-Female output outline drawing, please contact A-INFO.

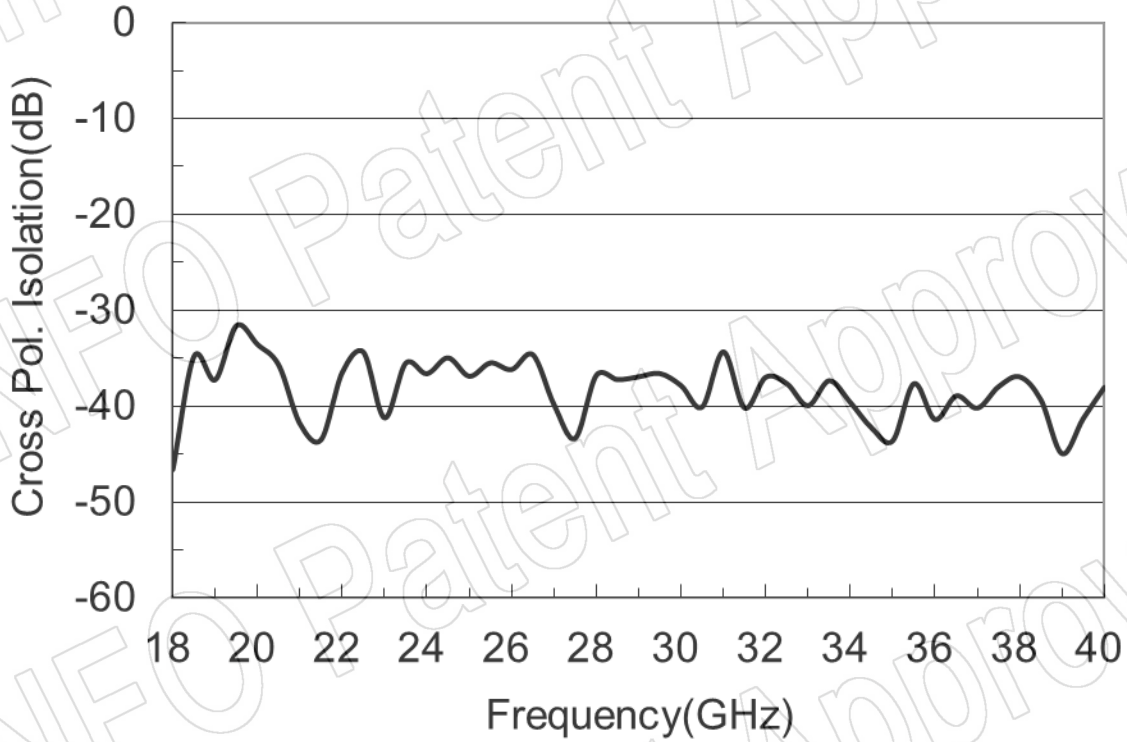


Test Results

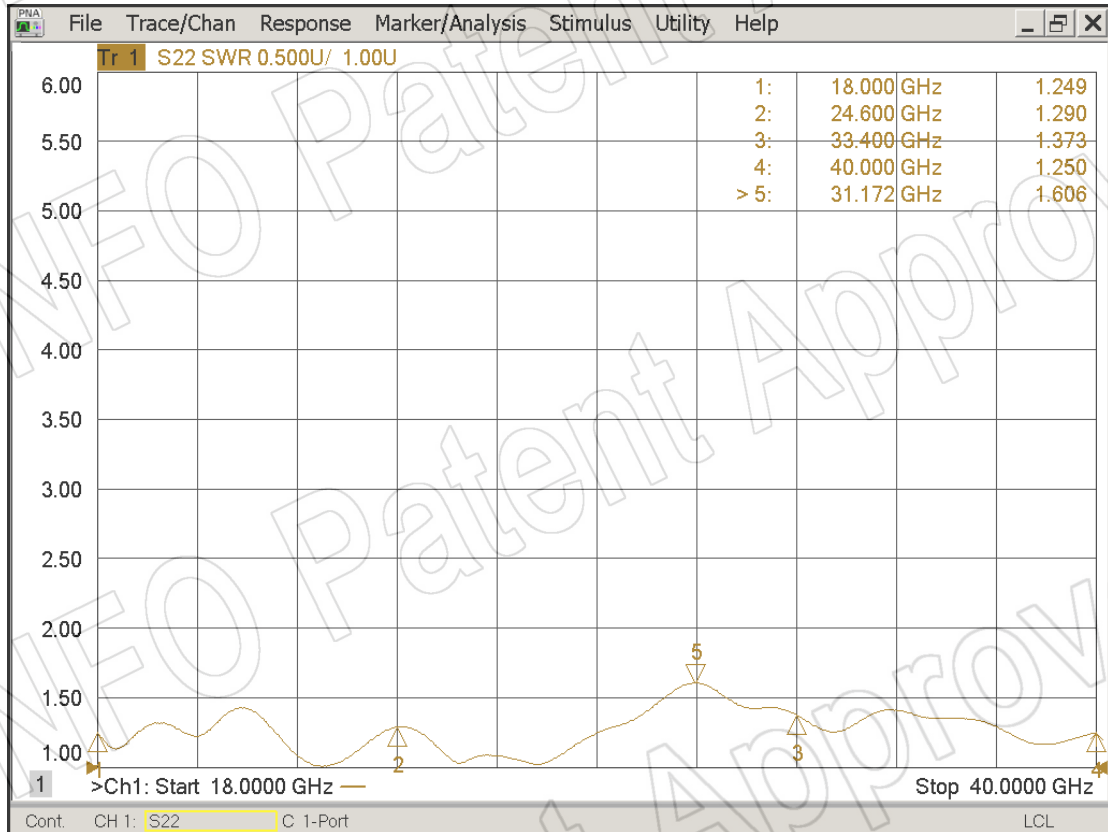
1. Gain & Antenna Factor



2. Cross Polarization Isolation



3. VSWR



4. Pattern

