

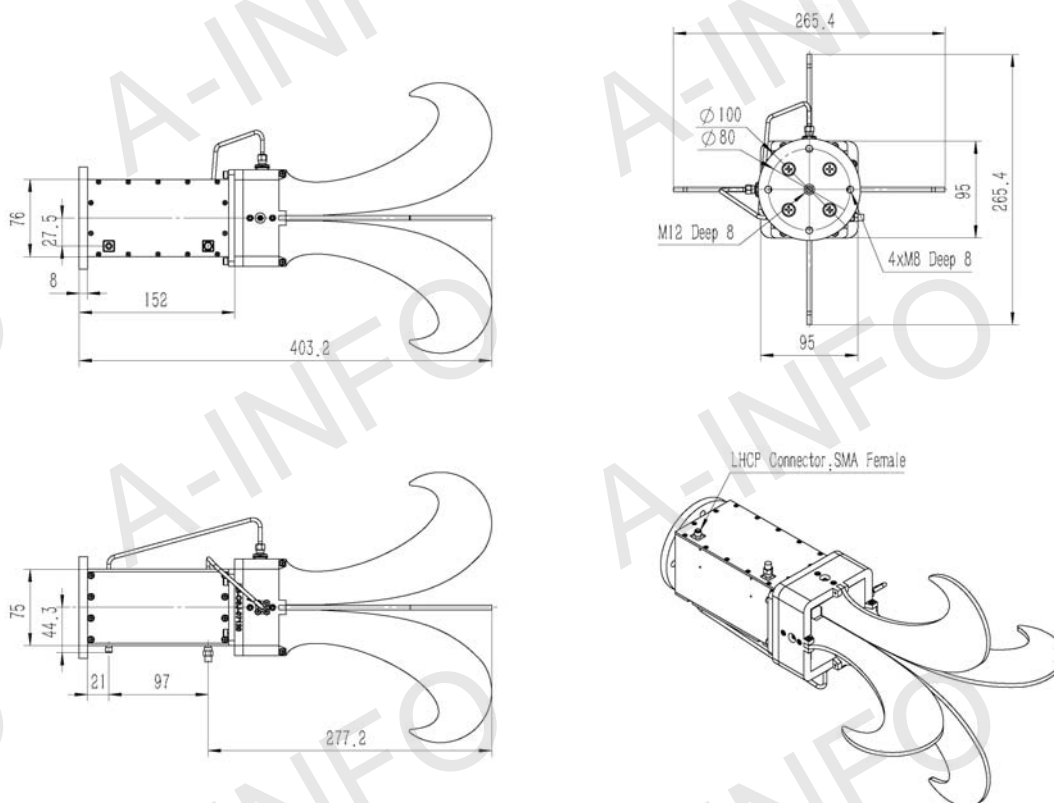
## Technical Specification



Frequency Range(GHz)	0.7 – 12.0
Gain(dBic)	10 Typ.
Polarization	LHCP
Axial Ratio(dB)	1.5 Typ.
	3.5 Max.
3dB Beamwidth(deg)	167 - 24
VSWR	1.50:1 Max.
Output	SMA-Female
Power Handling(W CW)	20 Max.
Material	Al
Size(mm)	265.4 x 265.4 x 403.2
Net Weight(Kg)	2.46 Around

## Outline Drawing (Size: mm)

SMA-Female Output



AINFO Inc.

Page 1 of 9

China(Beijing):  
China(Chengdu):  
USA :

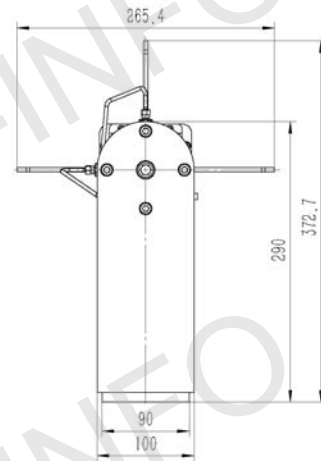
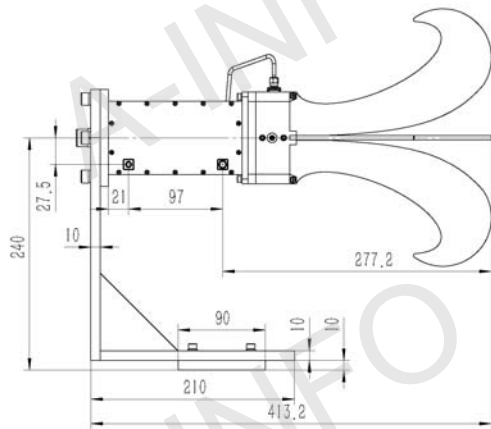
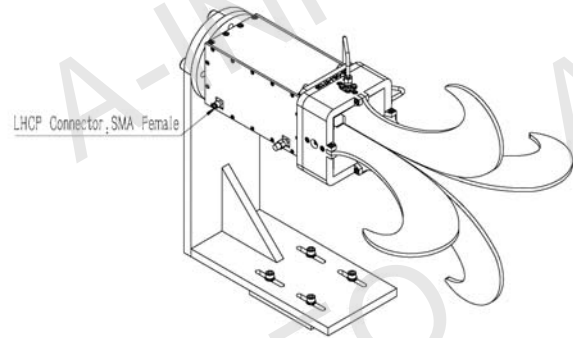
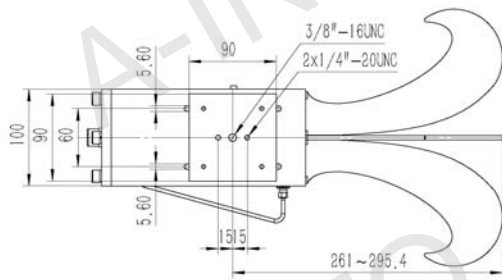
Tel: (+86) 10-6266-7326,  
Tel: (+86) 28-8519-2786,  
Tel: (+1) 949-639-9688,

(+86) 10-6266-7327  
(+86) 28-8519-3044  
(+1) 949-639-9608

Fax: (+86) 10-6266-7379  
Fax: (+86) 28-8519-3068  
Fax: (+1) 949-639-9670

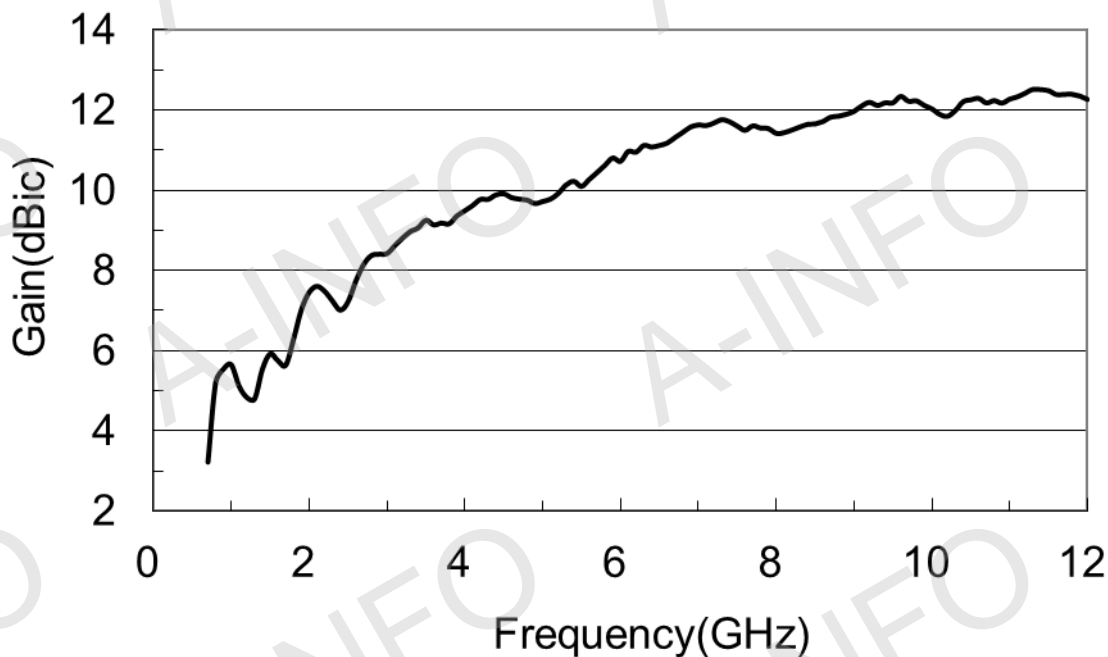
Website: [www.ainfoinc.com](http://www.ainfoinc.com)  
Email: [sales@ainfoinc.com](mailto:sales@ainfoinc.com)

## SMA-Female Output with L Type Mounting Bracket

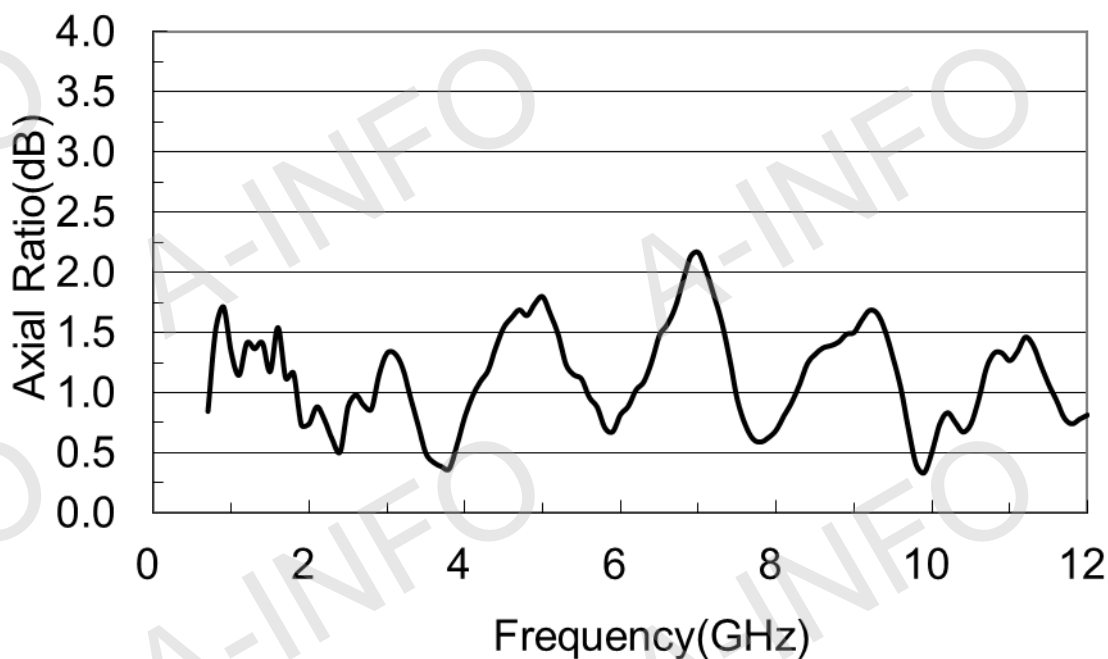


## Test Results

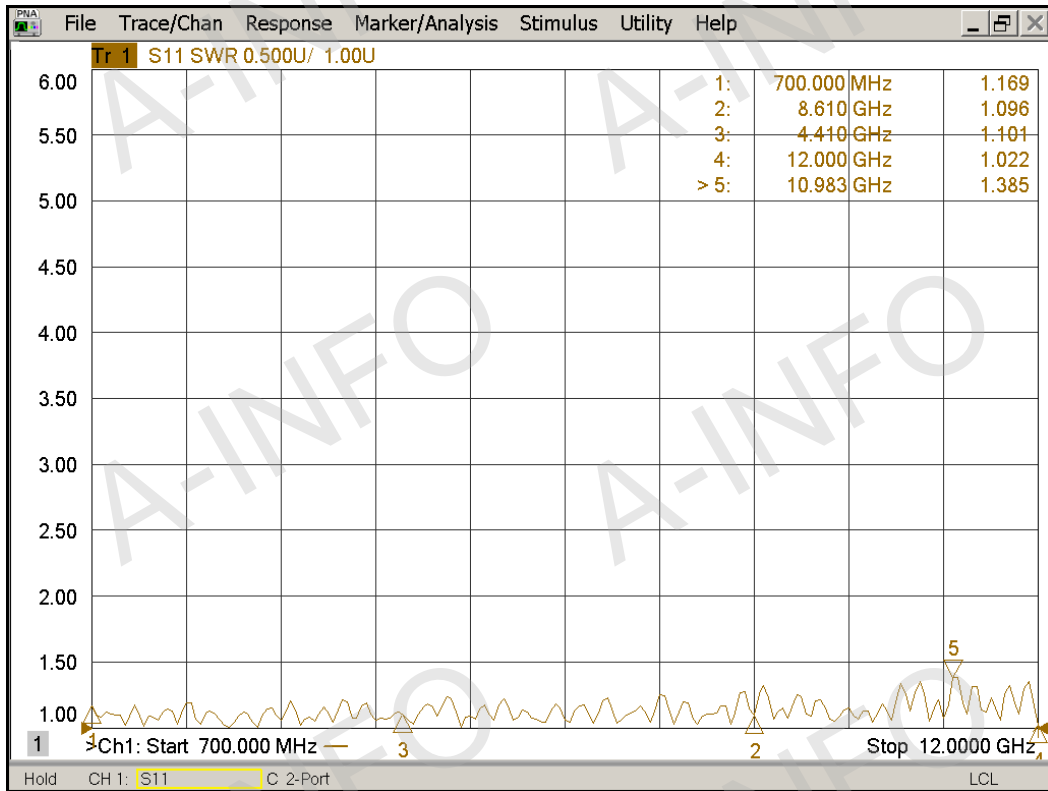
### 1. Gain



### 2. Axial Ratio



### 3. VSWR



## 4. Pattern

