

Technical Specification

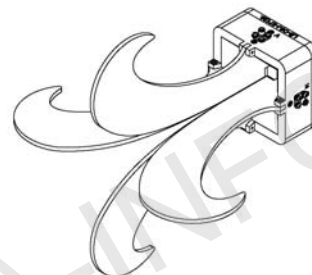
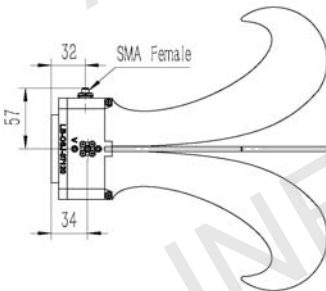
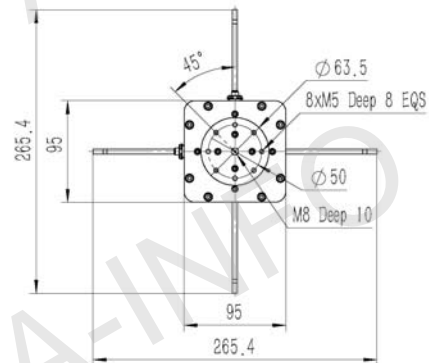
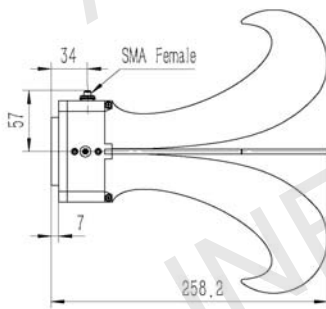


Frequency Range(GHz)	0.7 - 12.0	
Gain(dBi)	12 Typ.	
Polarization	Dual Pol.	
3dB Beamwidth(deg)	177 - 24	
Cross Pol. Isolation(dB)	25 Typ.	
	15 Min.	
Port to Port Isolation(dB)	30 Typ.	
	20 Min.	
VSWR	2.0:1 Typ.	
Output	SMA-Female	
	or N-Female	
Power Handling(W CW)	SMA-Female:	50 Max.
	N-Female:	50 Max.
Material	Al	
Size(mm)	265.4 x 265.4 x 258.2	
Net Weight(Kg)	1.54 Around	

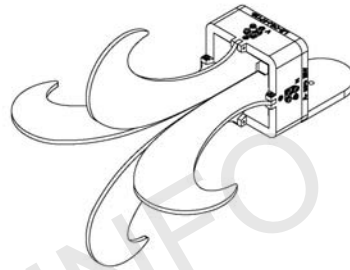
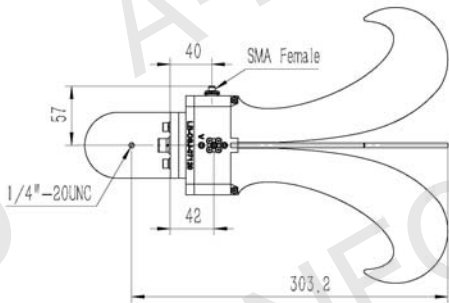
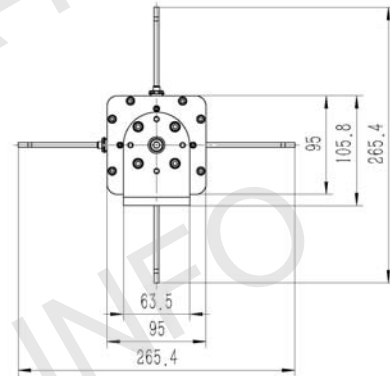
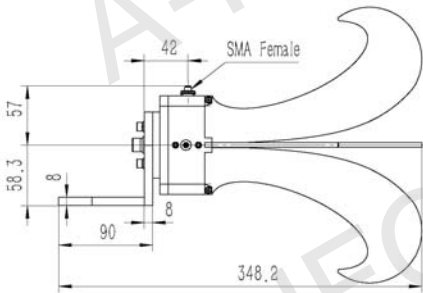
Outline Drawing (Size: mm)

With SMA-Female Output

For N-Female output outline drawing, please contact A-INFO.

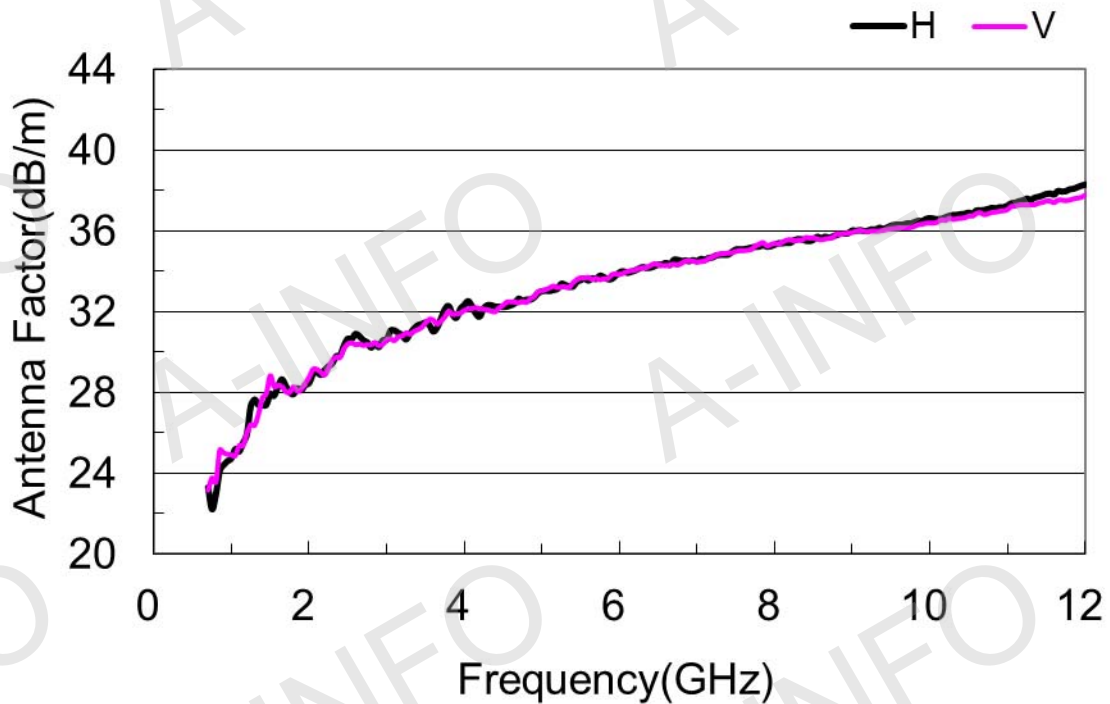
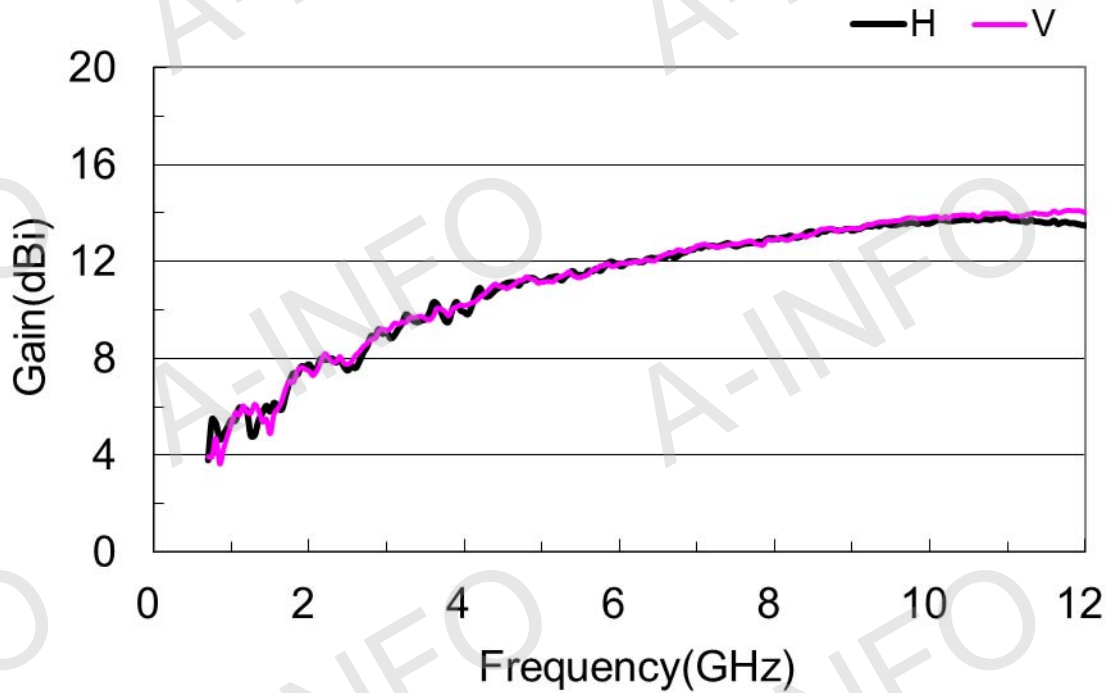


With SMA-Female Output & L Type Mounting Bracket
For N-Female output outline drawing, please contact A-INFO.

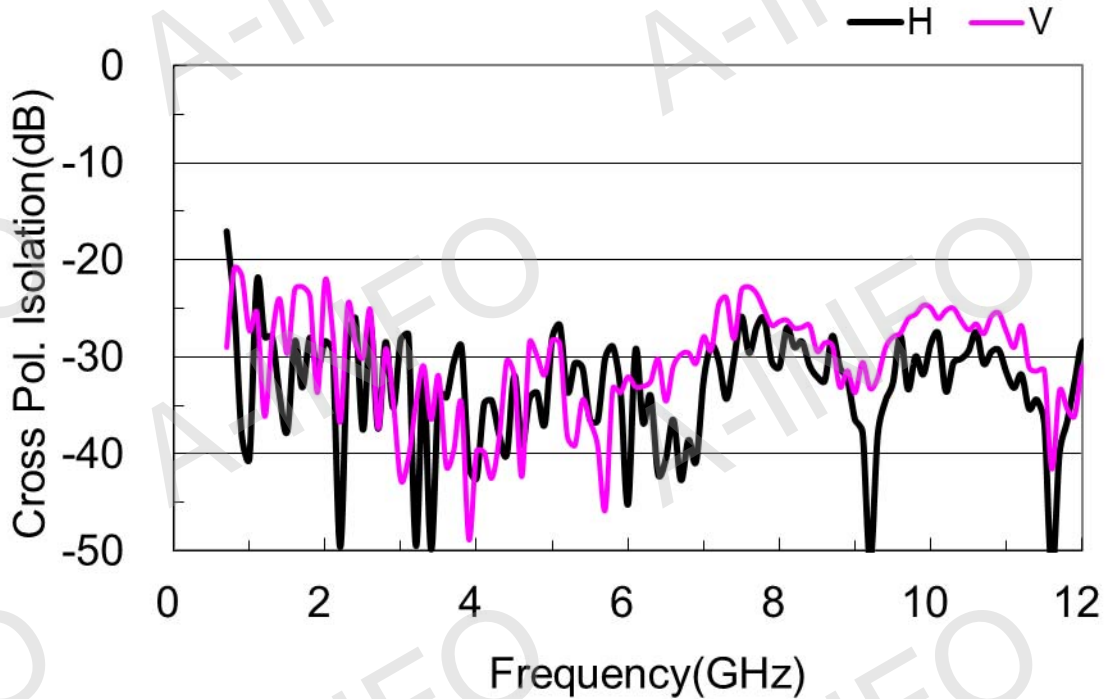


Test Results

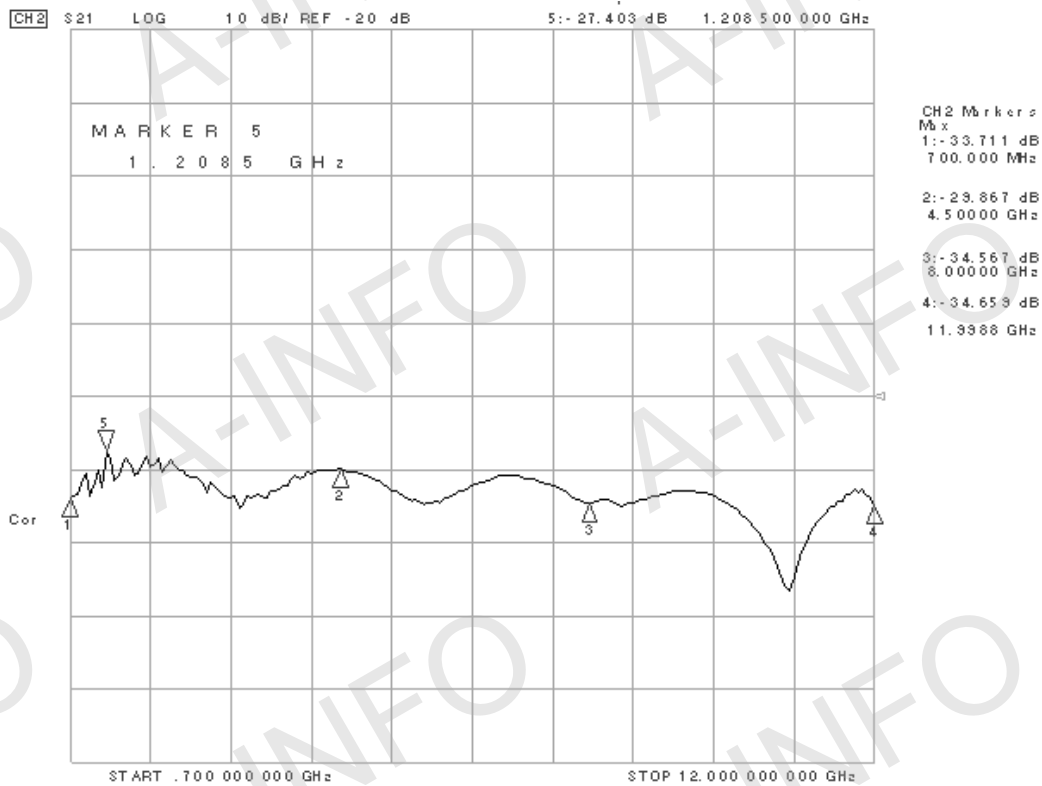
1. Gain & Antenna Factor



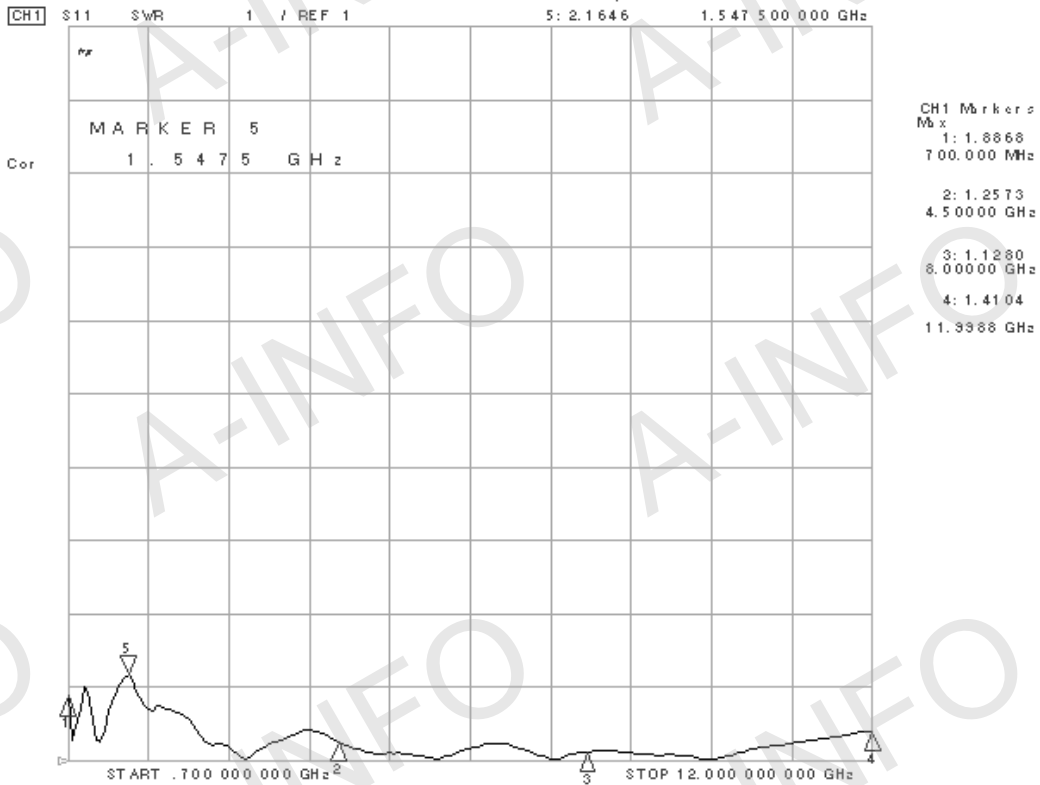
2. Cross Pol. Isolation



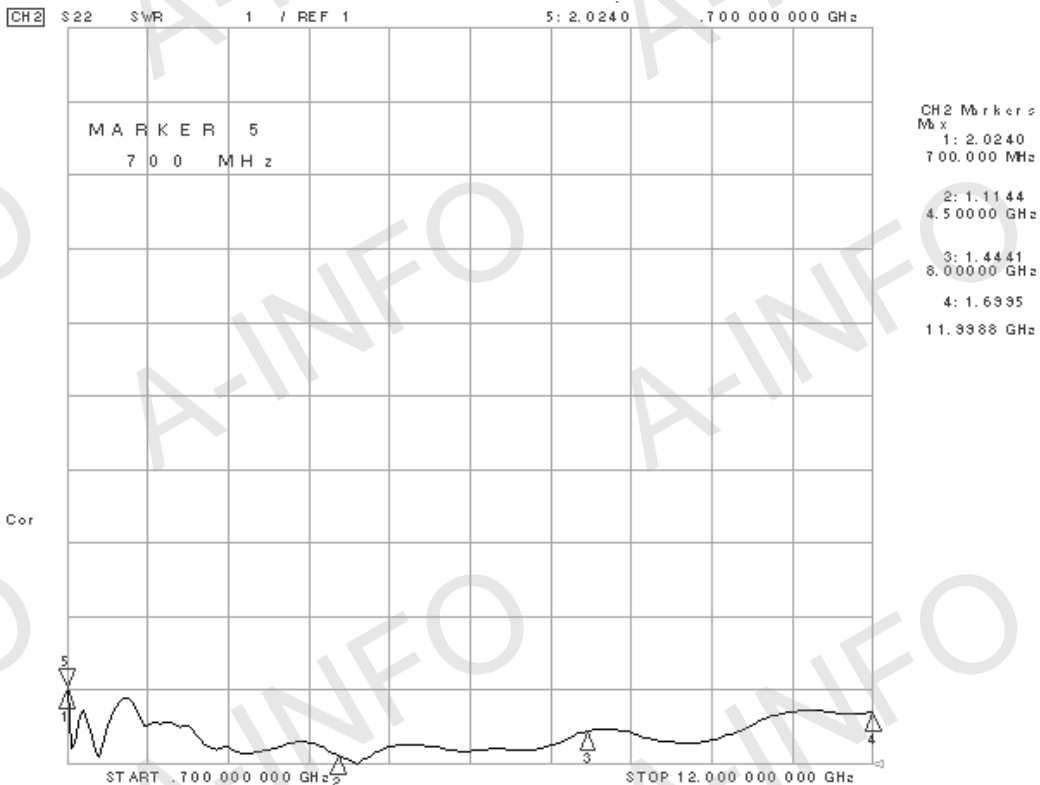
3. Port to Port Isolation



4. VSWR Port-H



Port-V



5. Pattern

