

Technical Specification

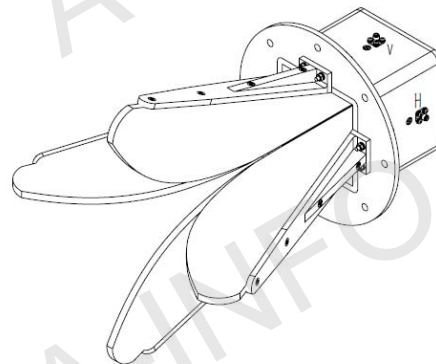
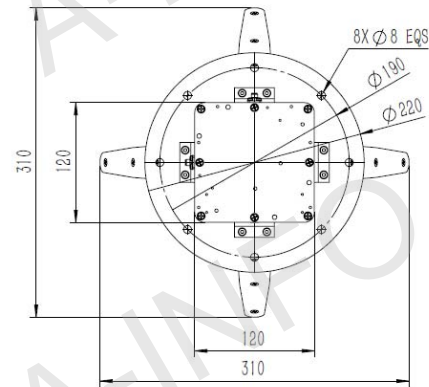
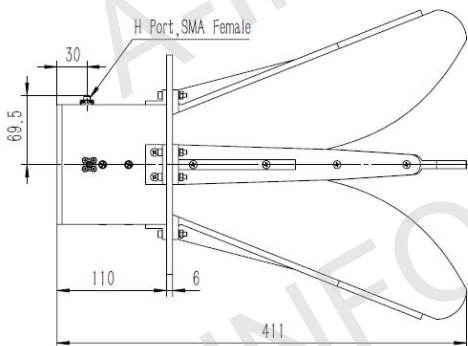
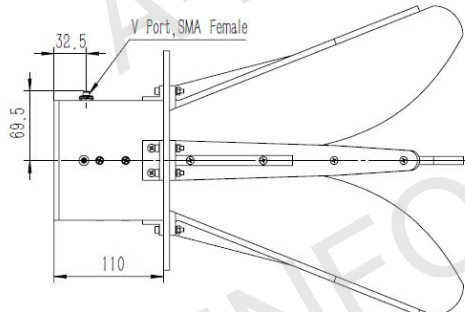


Frequency Range(GHz)	0.7 - 6.0
Gain(dBi)	11 Typ.
Polarization	Dual Pol.
3dB Beamwidth(deg)	155 - 16
Cross Pol. Isolation(dB)	18 Min.
Port to Port Isolation(dB)	20 Min.
VSWR	2.0:1 Typ.
Output	SMA-Female
	or N-Female
Power Handling(W)	SMA-Female: 50 Max. CW
	N-Female: 50 Max. CW
Material	Al
Size(mm)	310 x 310 x 411
Net Weight(Kg)	5.0 Around

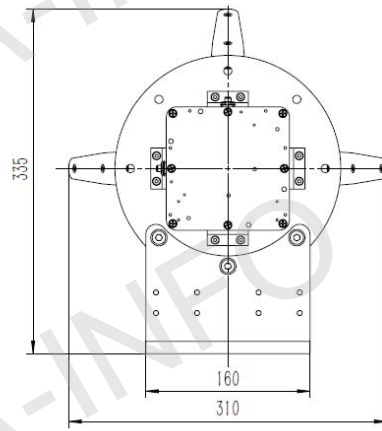
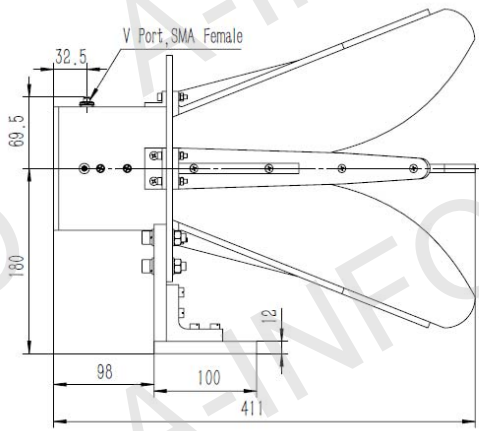
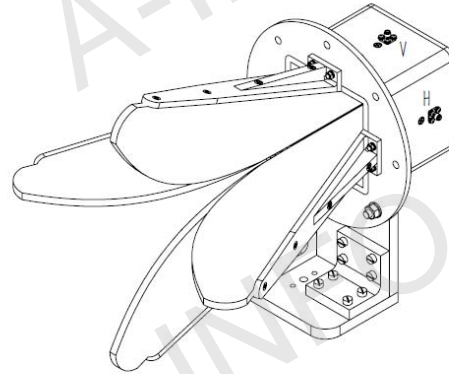
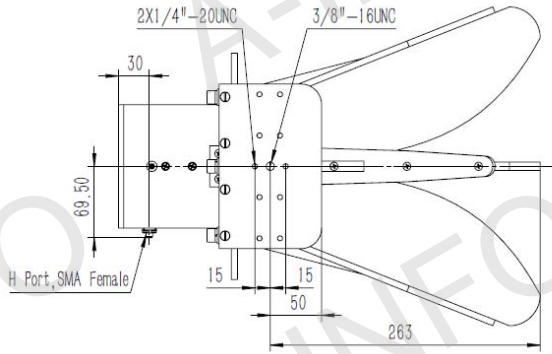
Outline Drawing (Size: mm)

With SMA-Female Output

For N-Female output outline drawing, please contact A-INFO.



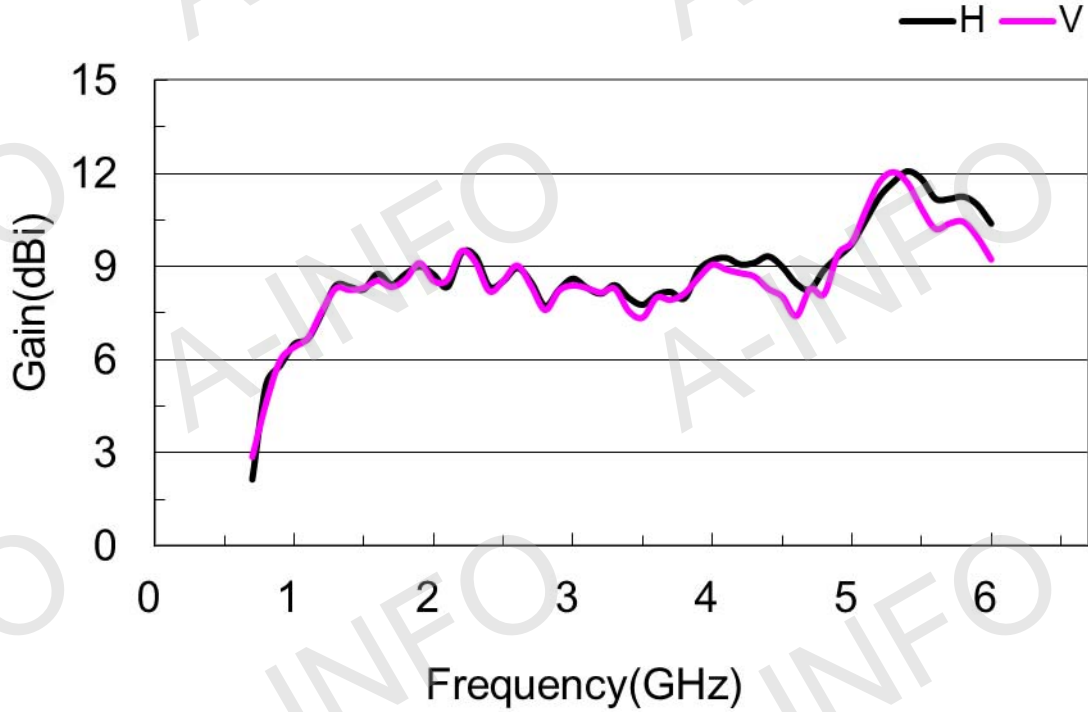
With SMA-Female Output & L Type Mounting Bracket
 For N-Female output outline drawing, please contact A-INFO.



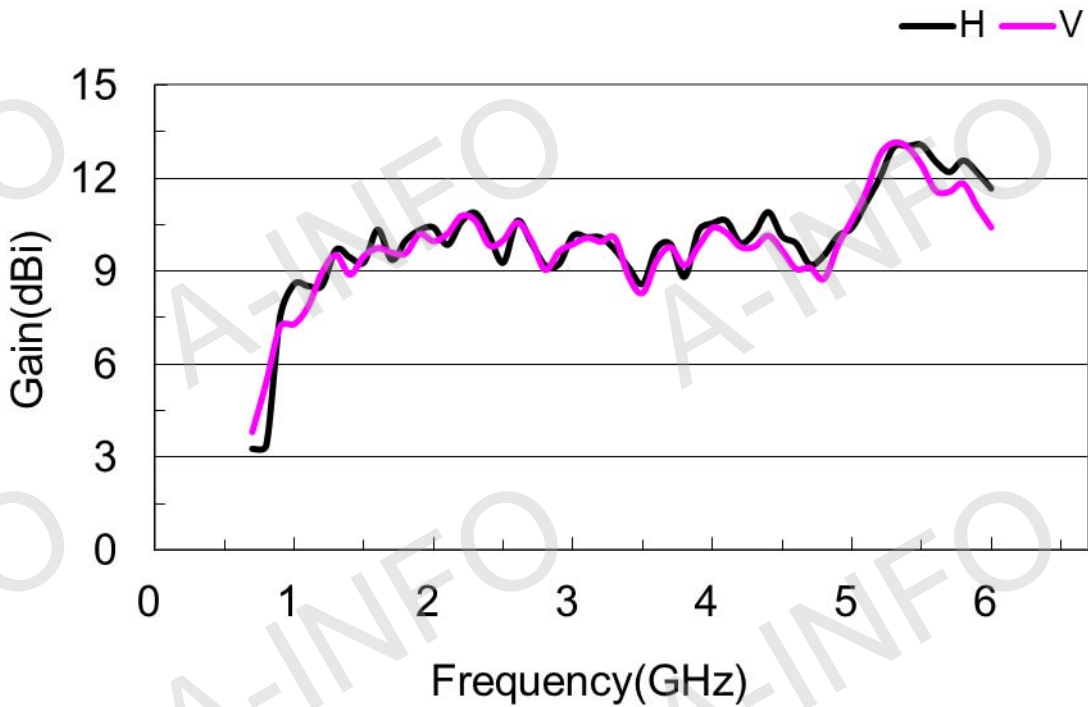
Test Results

1. Gain

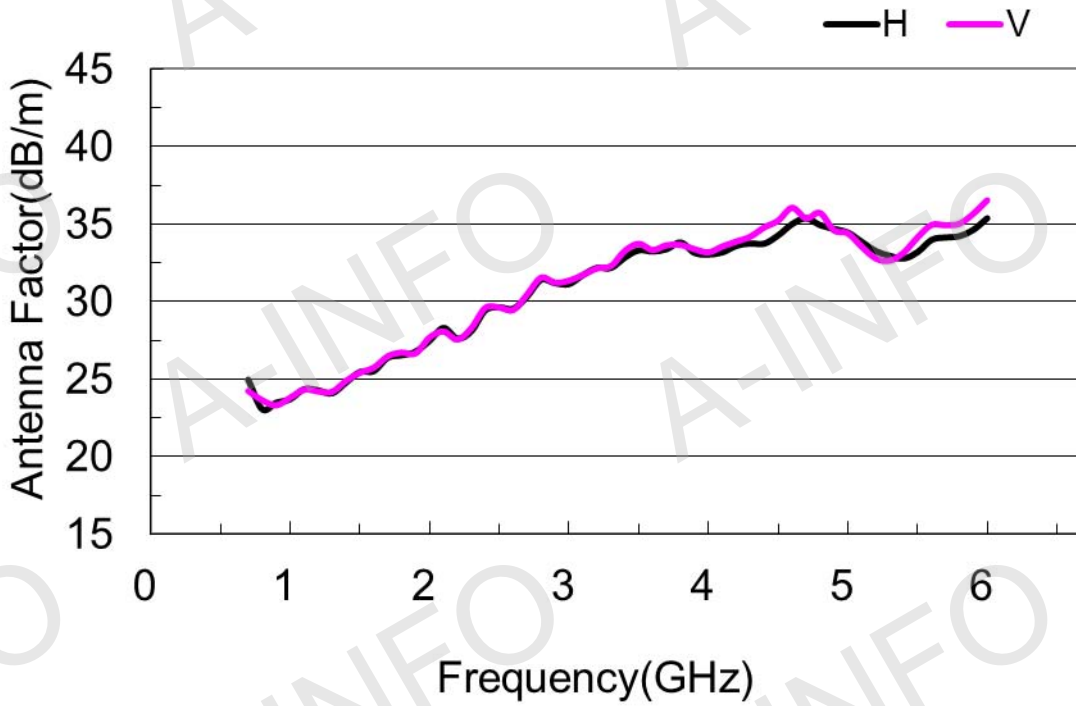
Gain at 1 m



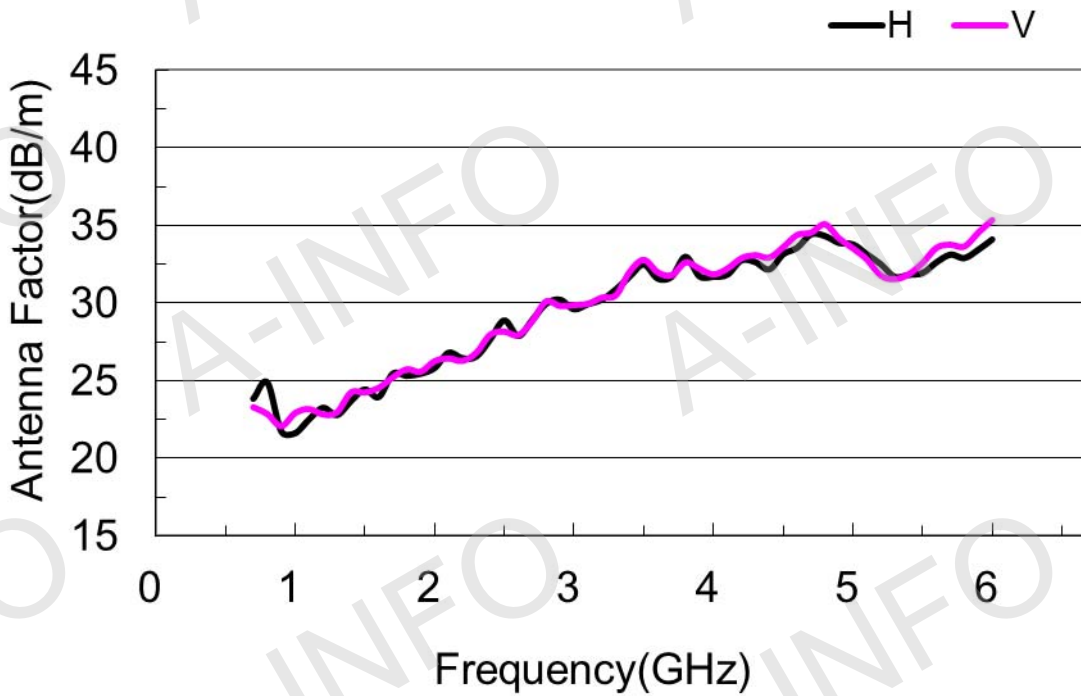
Gain at 3 m



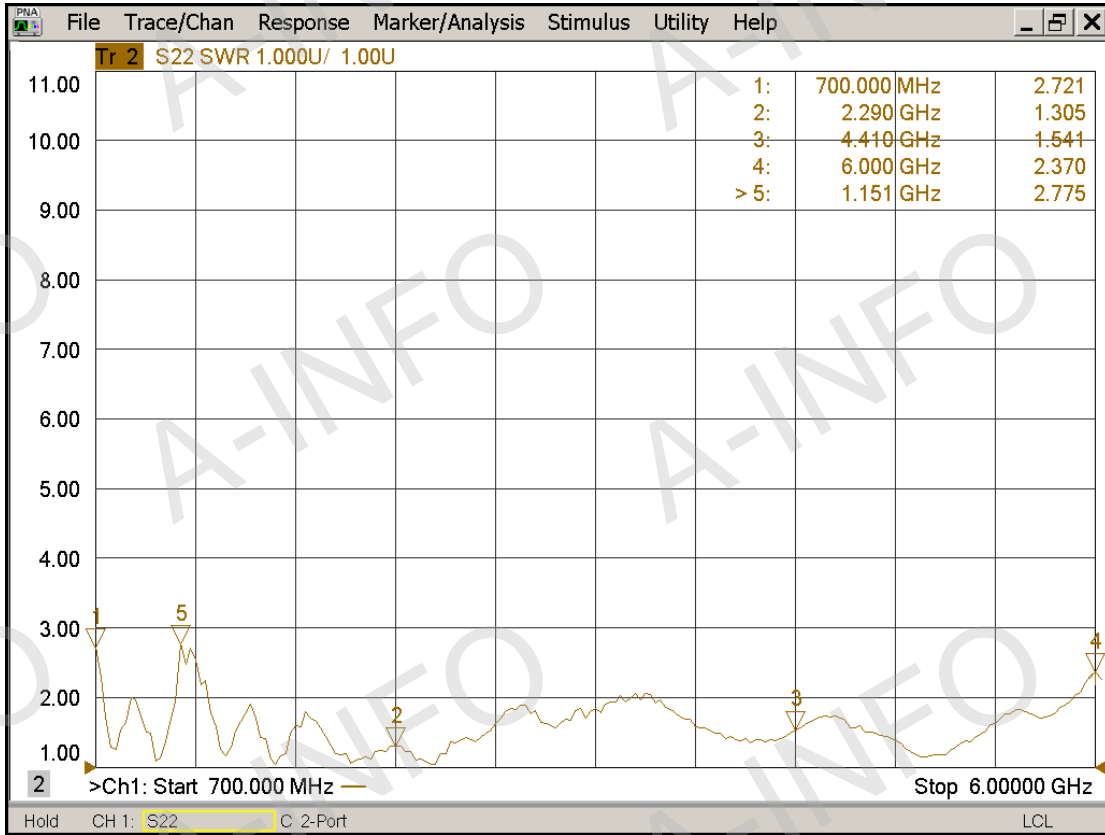
2. Antenna Factor AF at 1 m



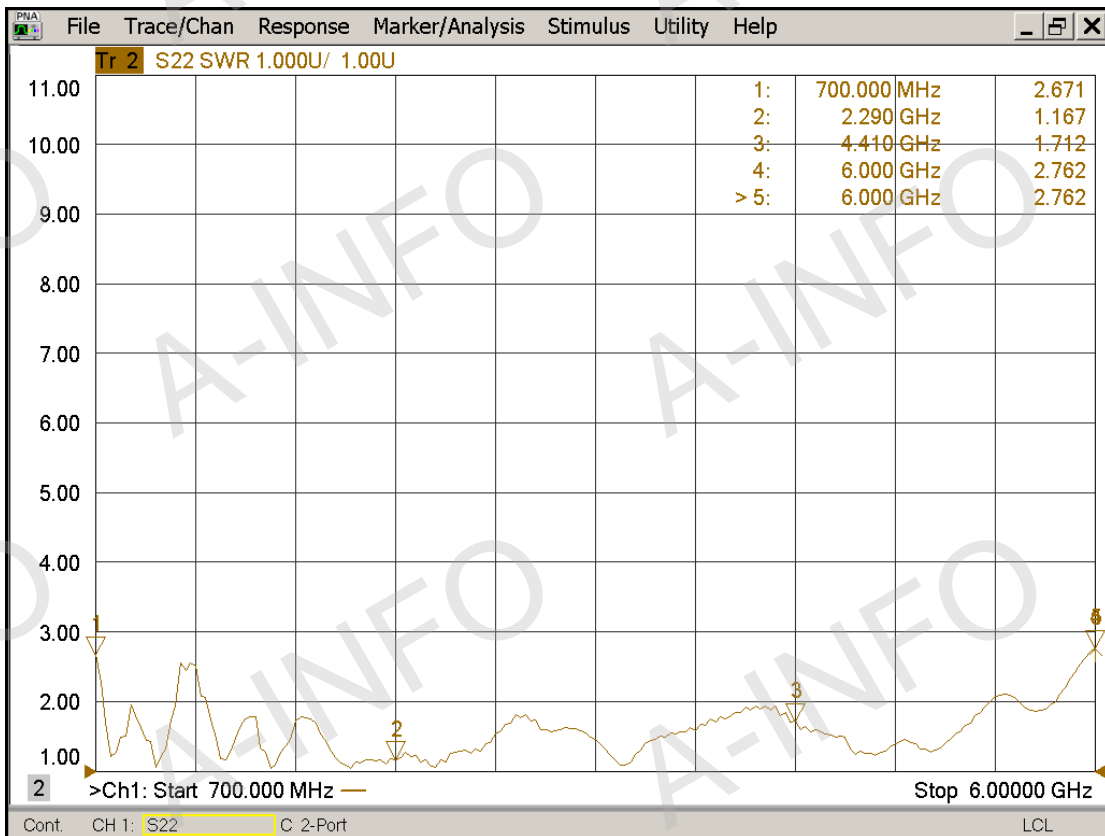
AF at 3 m



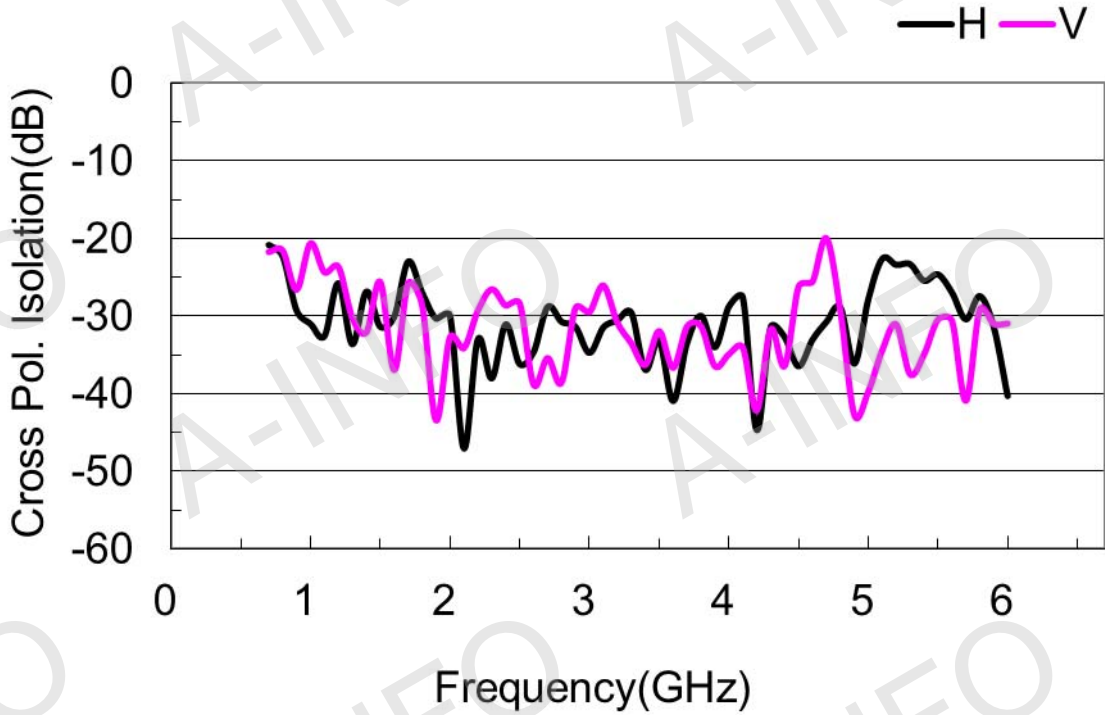
3. VSWR H Port



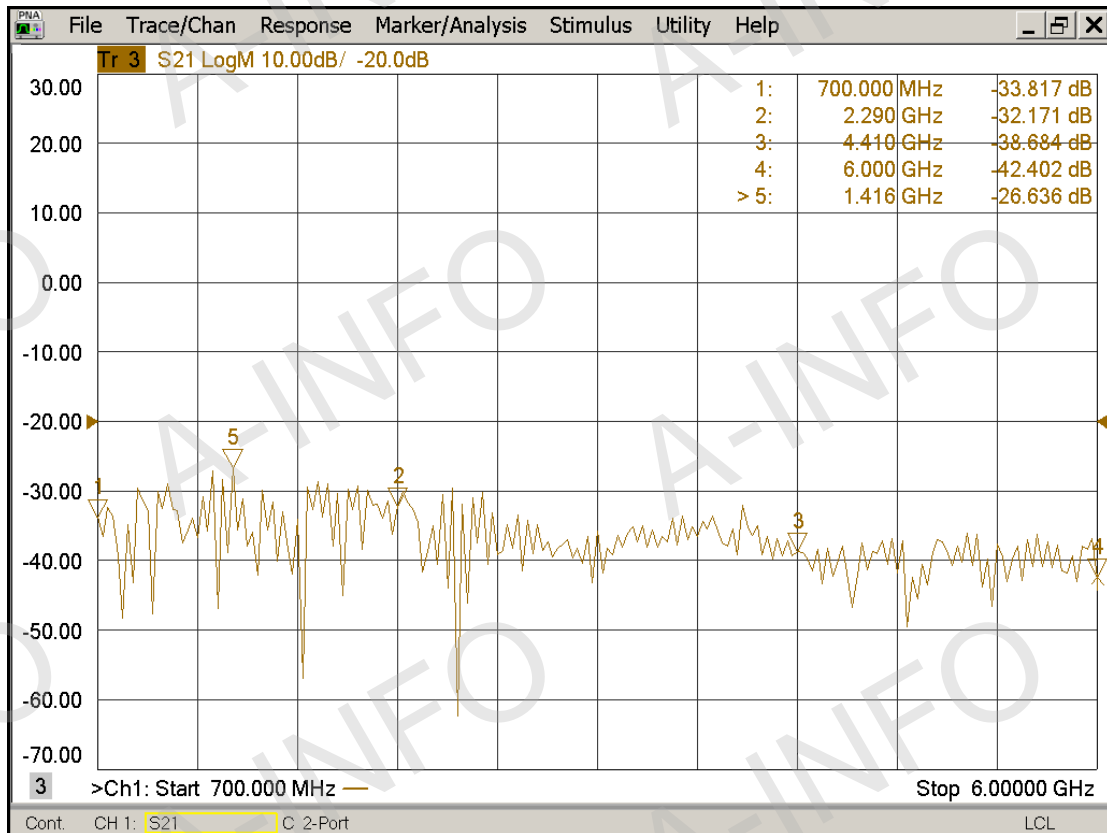
V Port



4. Cross Polarization Isolation



5. Port to Port Isolation



6. Pattern

