

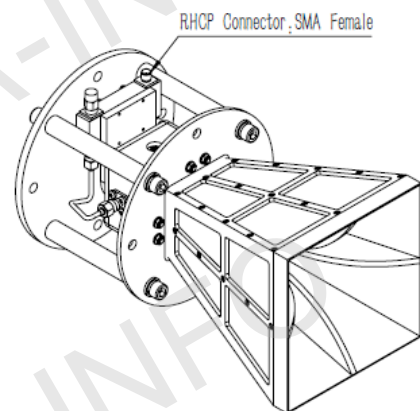
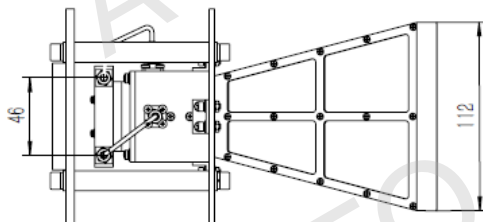
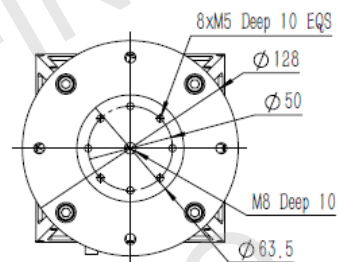
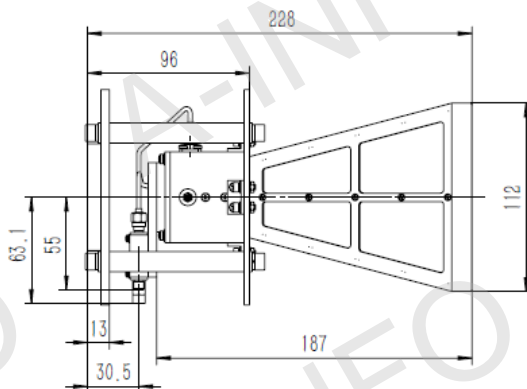
Technical Specification



Frequency Range(GHz)	4.0 - 18.0
Gain(dBic)	12 Typ.
Polarization	RHCP
Axial Ratio(dB)	2.0 Typ.
	3.0 Max.
3dB Beamwidth(deg)	55 - 12
VSWR	2.0:1 Max.
Output	SMA-Female
Power Handling(W)	20 Max. CW
Material	Al
Size(mm)	128 x 128 x 228
Net Weight(Kg)	1.25 Around

Outline Drawing (Size: mm)

SMA-Female Output



AINFO Inc.

Page 1 of 10

China(Beijing):
China(Chengdu):
USA :

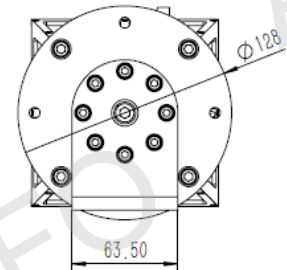
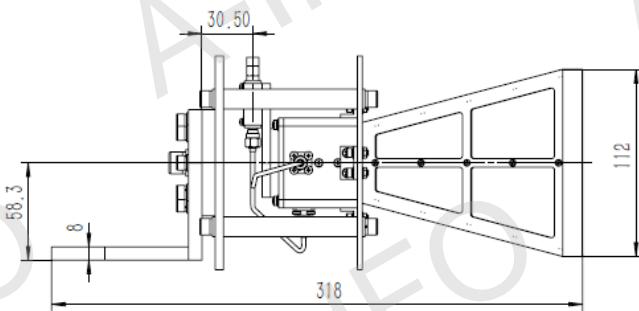
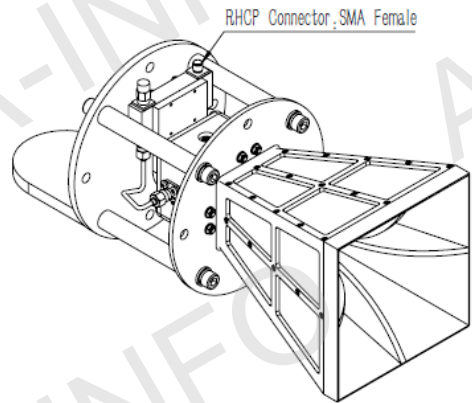
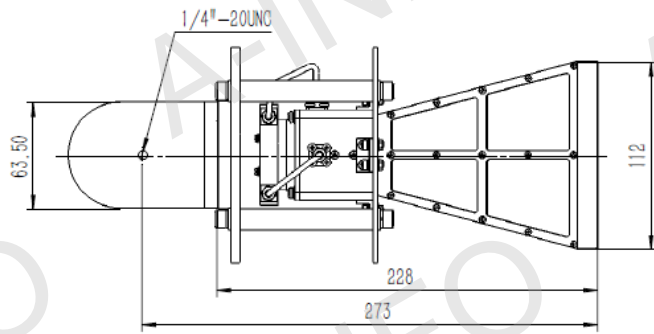
Tel: (+86) 10-6266-7326,
Tel: (+86) 28-8519-2786,
Tel: (+1) 949-639-9688,

(+86) 10-6266-7327
(+86) 28-8519-3044
(+1) 949-639-9608

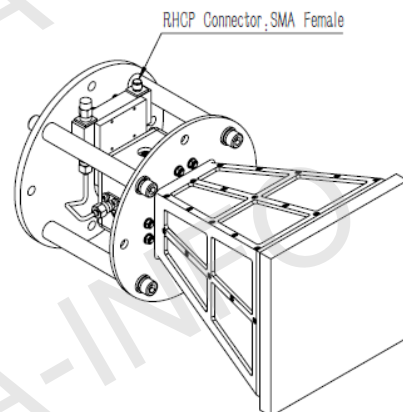
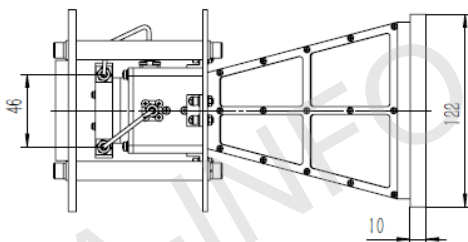
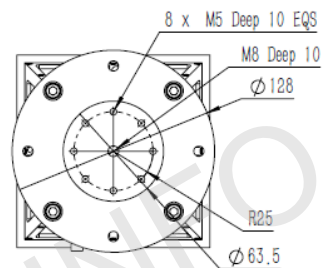
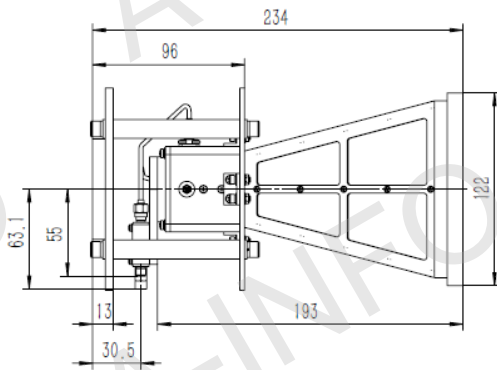
Fax: (+86) 10-6266-7379
Fax: (+86) 28-8519-3068
Fax: (+1) 949-639-9670

Website: www.ainfoinc.com
Email: sales@ainfoinc.com

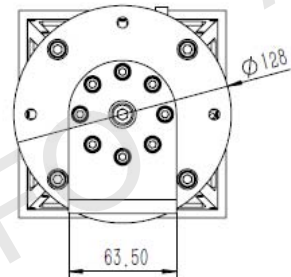
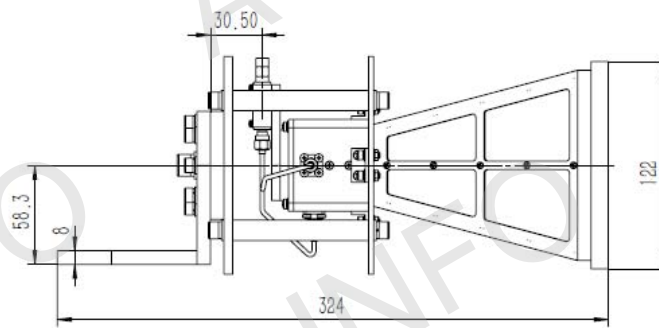
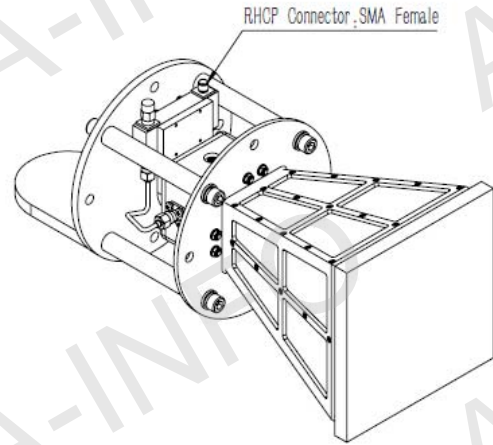
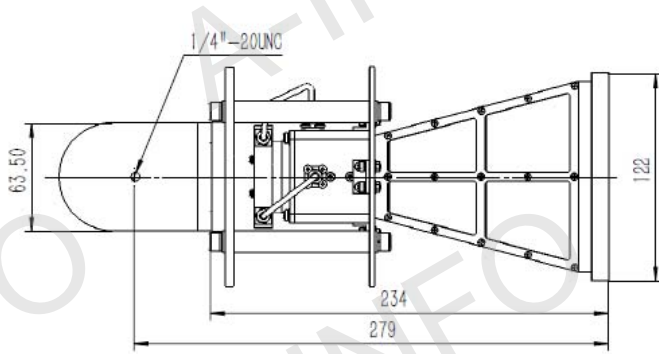
SMA-Female Output with L Type Mounting Bracket



SMA-Female Output with Radome

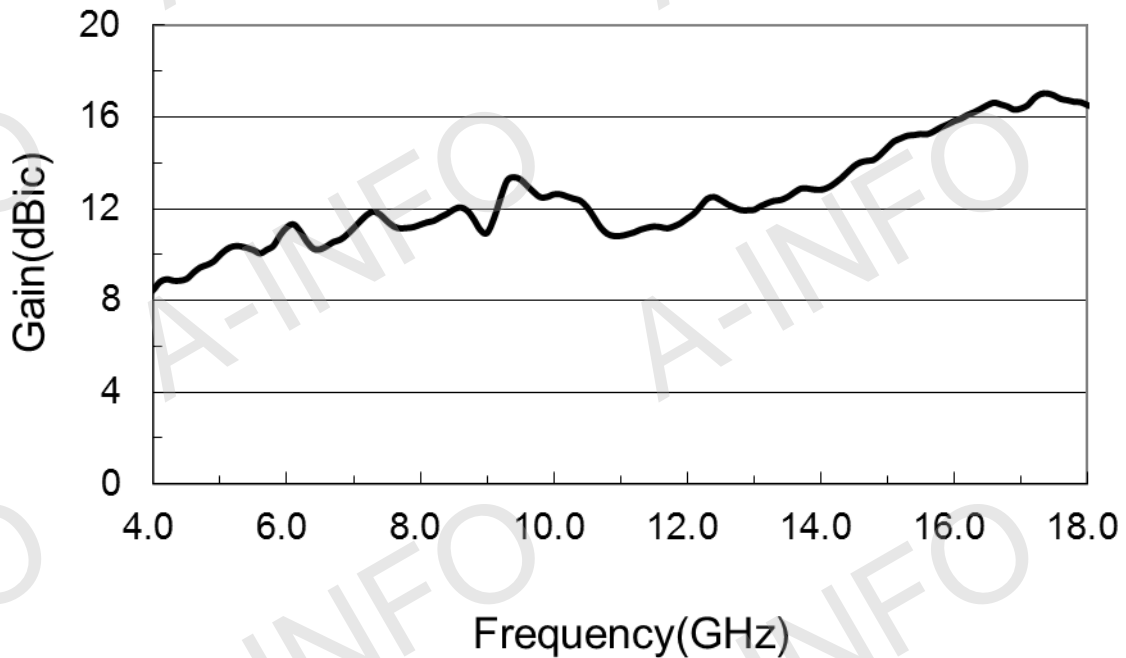


SMA-Female Output with L Type Mounting Bracket & Radome

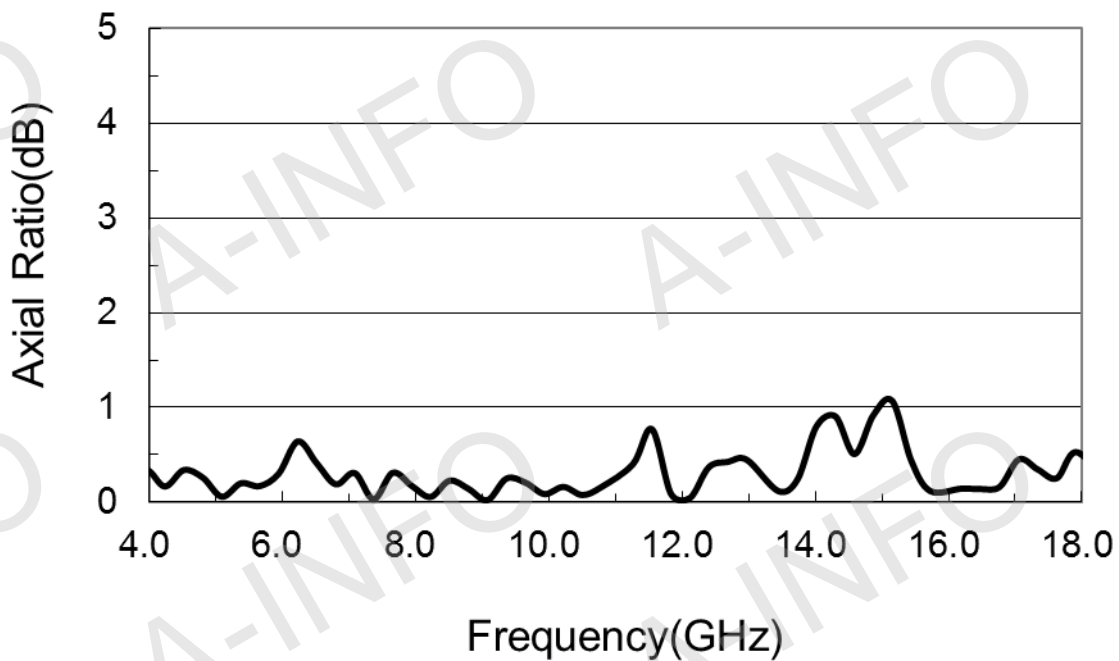


Test Results

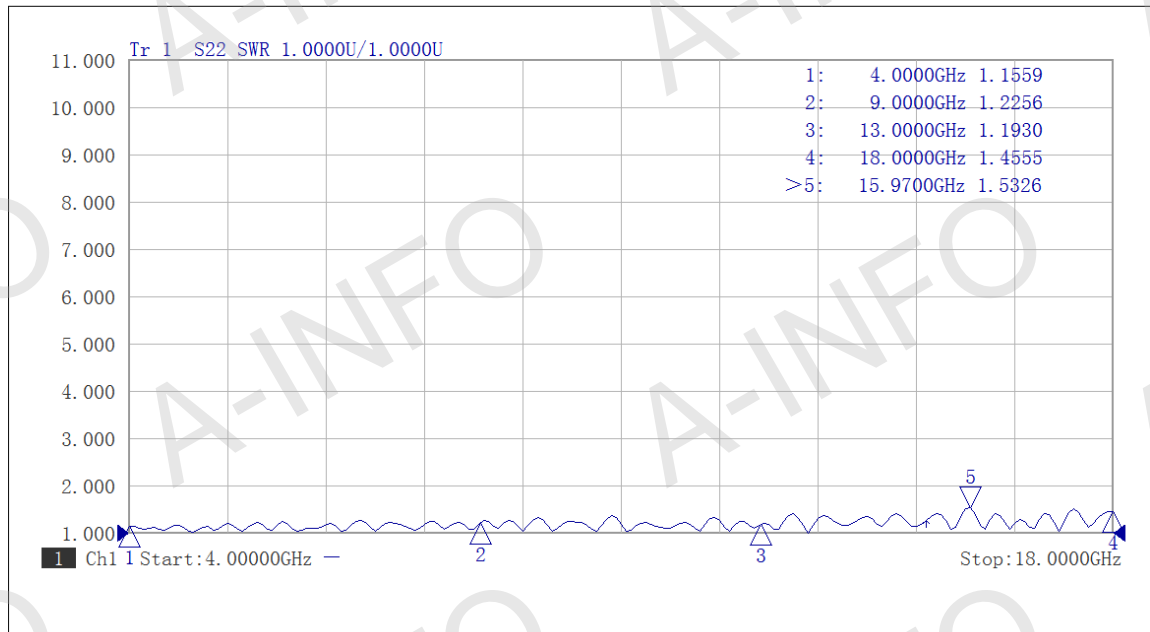
1. Gain



2. Axial Ratio



3. VSWR



4. Pattern

