

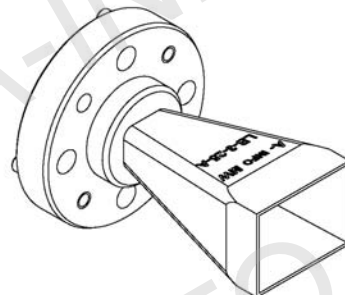
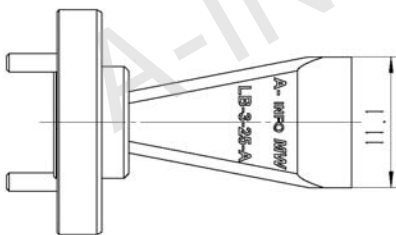
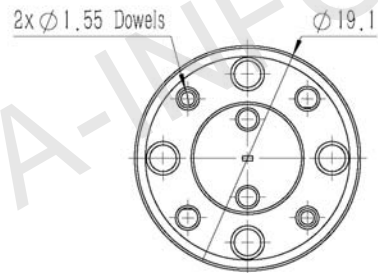
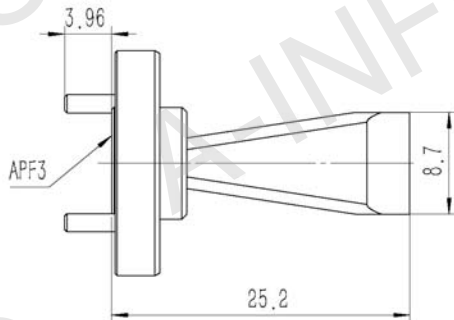
Technical Specification



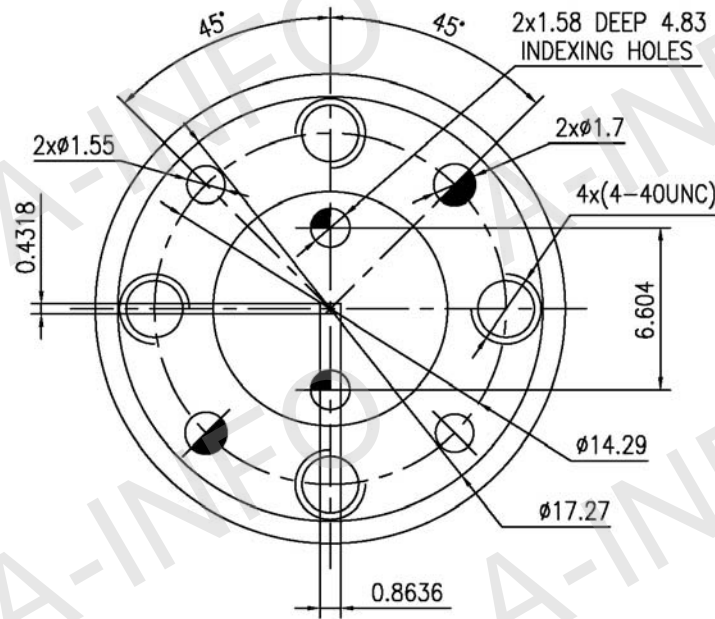
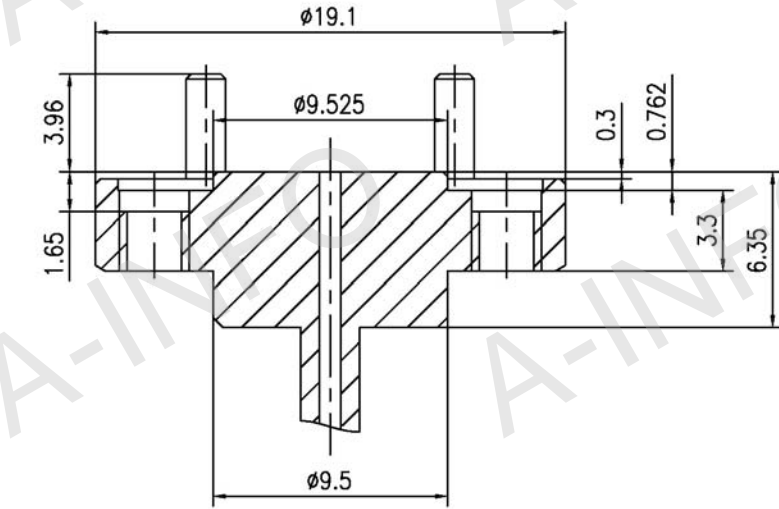
Frequency Range(GHz)	220.0 – 325.0
Waveguide	WR3
Gain(dBi)	25 Typ.
Polarization	Linear
3dB Beamwidth(deg)	8 Typ.
Cross Pol. Isolation(dB)	35 Typ.
VSWR	1.15:1 Typ.
Output	APF3
Material	Cu
Size(mm)	19.1 x 19.1 x 25.2
Net Weight(Kg)	0.01 Around

Outline Drawing (Size: mm)

APF3 Output (P/N: LB-3-25-A)



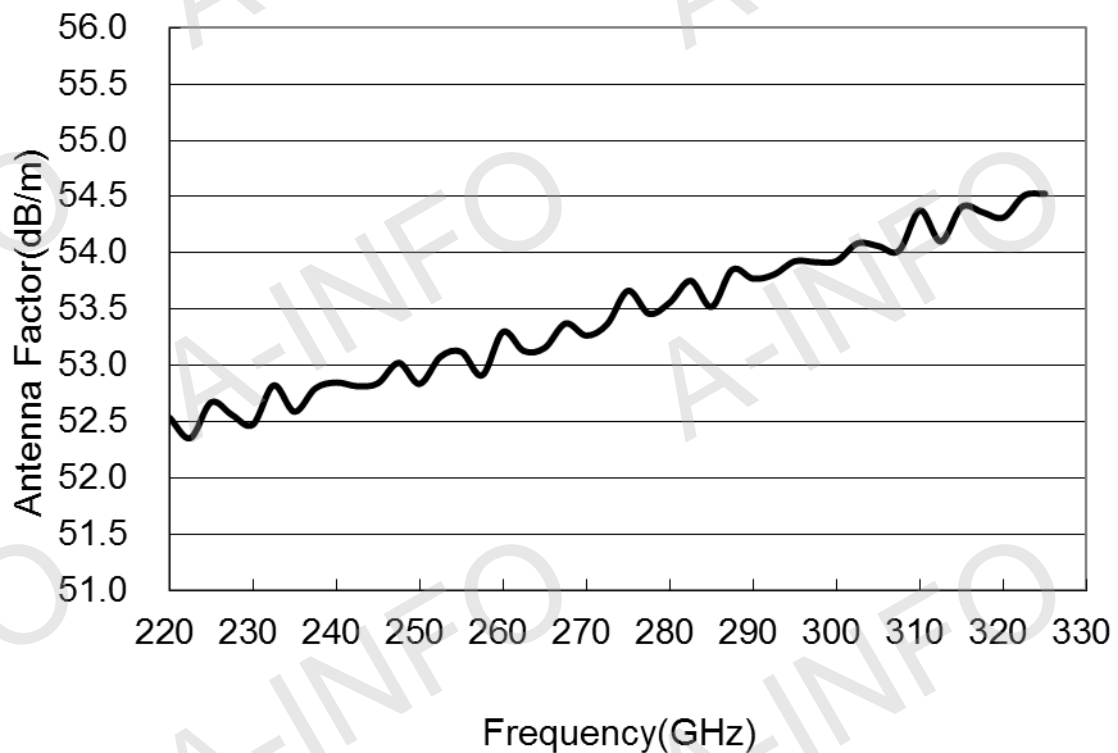
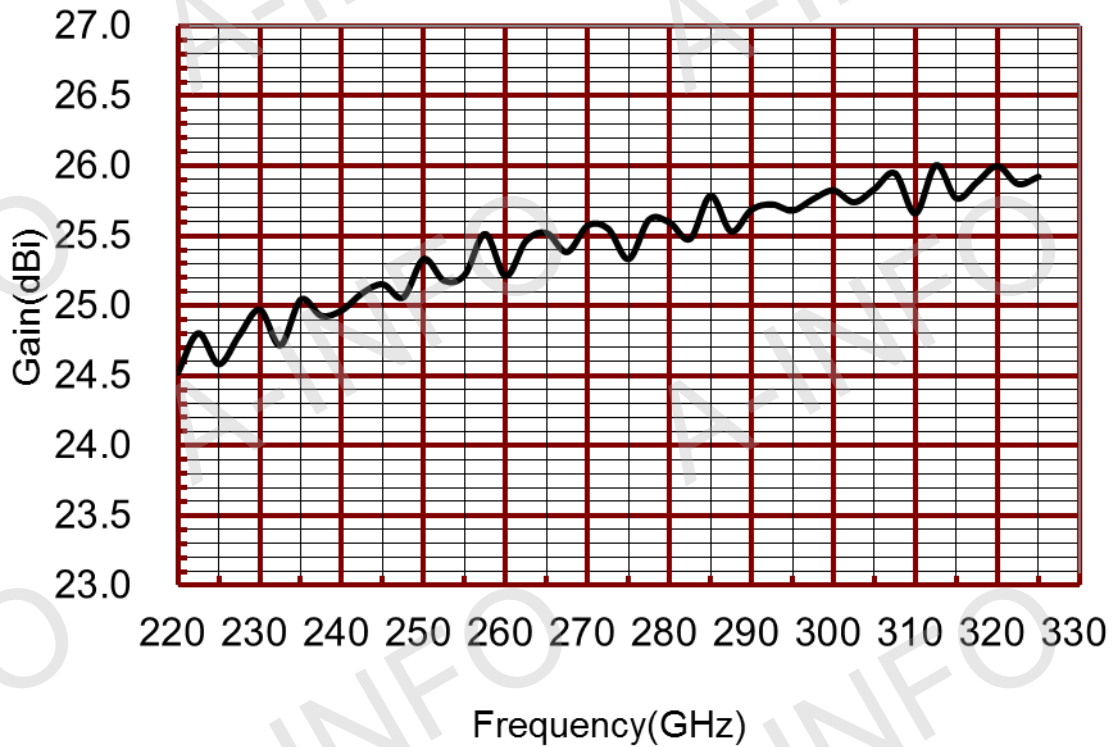
Flange Drawing (Size: mm)



APF3

Test Results

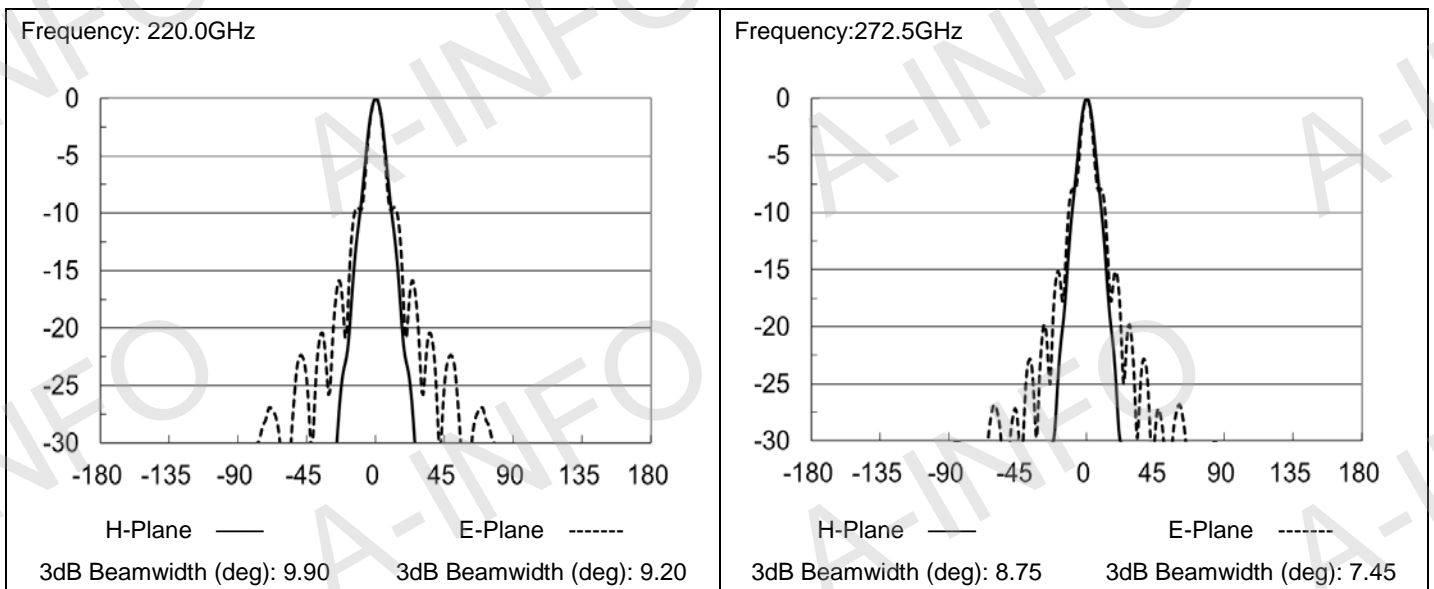
1. Gain & Antenna Factor



Frequency (GHz)	Gain (dBi)	Antenna Factor (dB/m)
220.0	24.52	52.54
222.5	24.80	52.35
225.0	24.58	52.67
227.5	24.79	52.56
230.0	24.97	52.47
232.5	24.72	52.82
235.0	25.04	52.59
237.5	24.93	52.80
240.0	24.97	52.85
242.5	25.09	52.81
245.0	25.15	52.84
247.5	25.06	53.02
250.0	25.33	52.83
252.5	25.18	53.08
255.0	25.22	53.12
257.5	25.51	52.91
260.0	25.21	53.30
262.5	25.47	53.13
265.0	25.52	53.15
267.5	25.38	53.37
270.0	25.57	53.26
272.5	25.55	53.37

Frequency (GHz)	Gain (dBi)	Antenna Factor (dB/m)
275.0	25.33	53.66
277.5	25.62	53.46
280.0	25.60	53.56
282.5	25.48	53.75
285.0	25.79	53.52
287.5	25.53	53.85
290.0	25.69	53.77
292.5	25.73	53.81
295.0	25.68	53.93
297.5	25.76	53.92
300.0	25.82	53.93
302.5	25.74	54.08
305.0	25.84	54.06
307.5	25.95	54.02
310.0	25.66	54.38
312.5	26.00	54.10
315.0	25.77	54.41
317.5	25.88	54.36
320.0	26.00	54.31
322.5	25.87	54.51
325.0	25.92	54.53

2. Pattern



AINFO Inc.

Page 4 of 5

China(Beijing):
China(Chengdu):
USA :

Tel: (+86) 10-6266-7326,
Tel: (+86) 28-8519-2786,
Tel: (+1) 949-639-9688,

(+86) 10-6266-7327
(+86) 28-8519-3044
(+1) 949-639-9608

Fax: (+86) 10-6266-7379
Fax: (+86) 28-8519-3068
Fax: (+1) 949-639-9670

Website: www.ainfoinc.com
Email: sales@ainfoinc.com

