

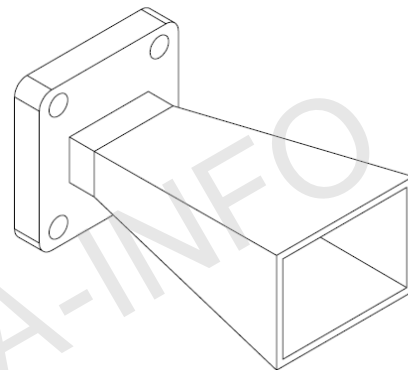
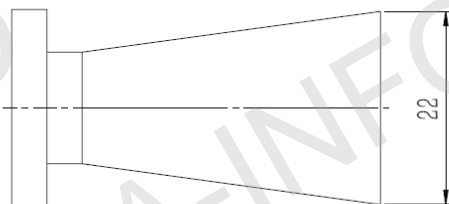
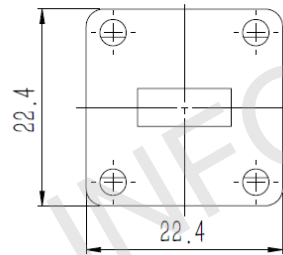
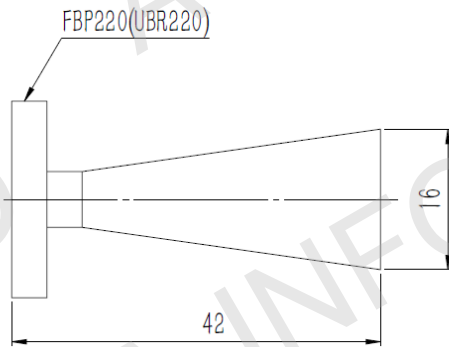
Technical Specification



Frequency Range(GHz)	18.0 - 26.5	
Waveguide	WR42	
Gain(dBi)	10 Typ.	
Polarization	Linear	
3dB Beamwidth(deg)	45 Typ.	
Cross Pol. Isolation(dB)	40 Typ.	
VSWR	A Type:	1.15:1 Typ.
	C Type:	1.25:1 Typ.
Output	A Type:	FBP220(UBR220)
	C Type:	SMA-Female or 2.92mm-Female or 3.5mm-Female
Material	Cu	
Size(mm)	A Type:	22.4 x 22.4 x 42
	C Type:	22.4 x 27.8 x 77
Net Weight(Kg)	A Type:	0.05 Around
	C Type:	0.10 Around

Outline Drawing (Size: mm)

A Type(With FBP220 Output)



AINFO Inc.

Page 1 of 12

China(Beijing):
China(Chengdu):
USA :

Tel: (+86) 10-6266-7326,
Tel: (+86) 28-8519-2786,
Tel: (+1) 949-639-9688,

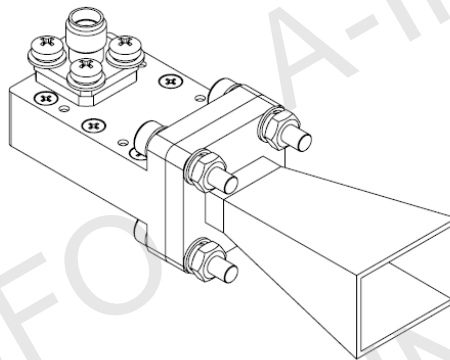
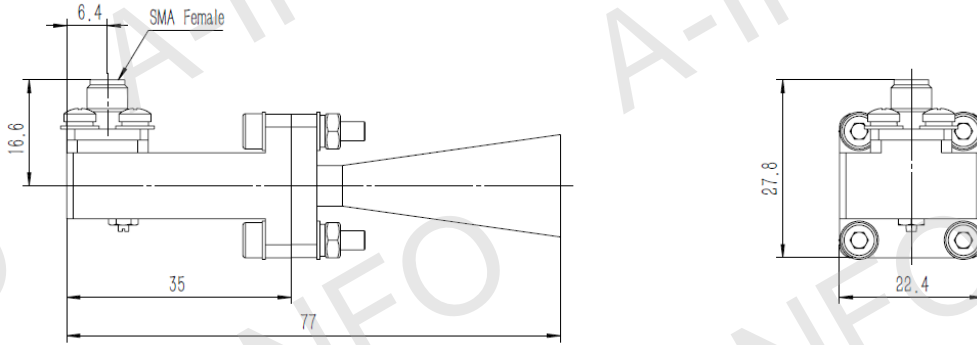
(+86) 10-6266-7327
(+86) 28-8519-3044
(+1) 949-639-9608

Fax: (+86) 10-6266-7379
Fax: (+86) 28-8519-3068
Fax: (+1) 949-639-9670

Website: www.ainfoinc.com
Email: sales@ainfoinc.com

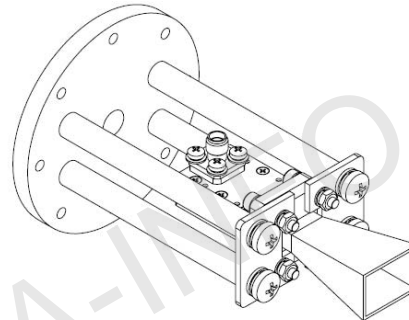
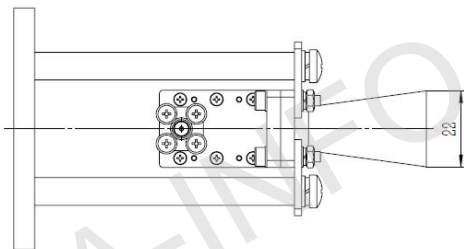
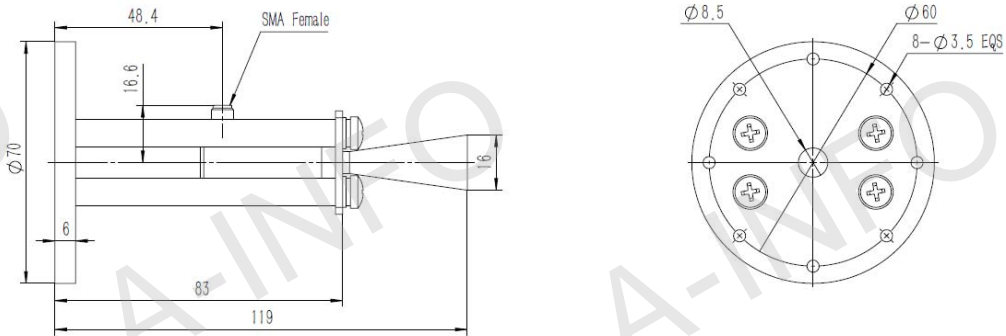
C Type (With SMA-Female Output)

For 2.92mm-Female & 3.5mm-Female output outline drawing, please contact A-INFO.



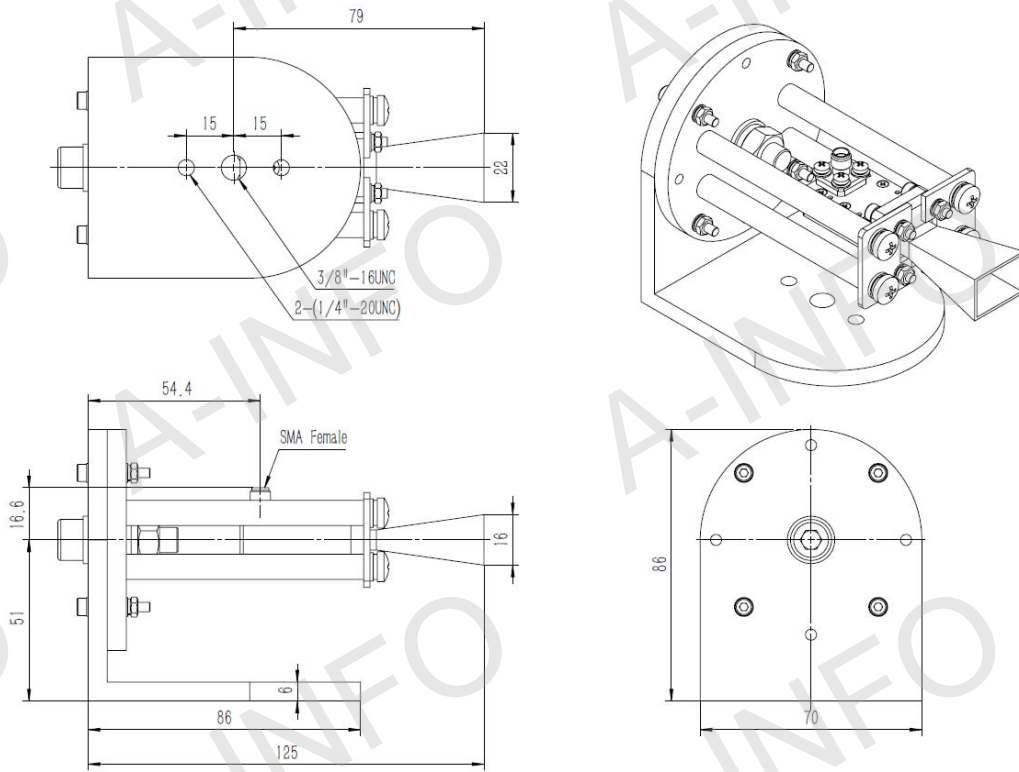
C Type (With SMA-Female Output & Round Mounting Bracket)

For 2.92mm-Female & 3.5mm-Female output outline drawing, please contact A-INFO.

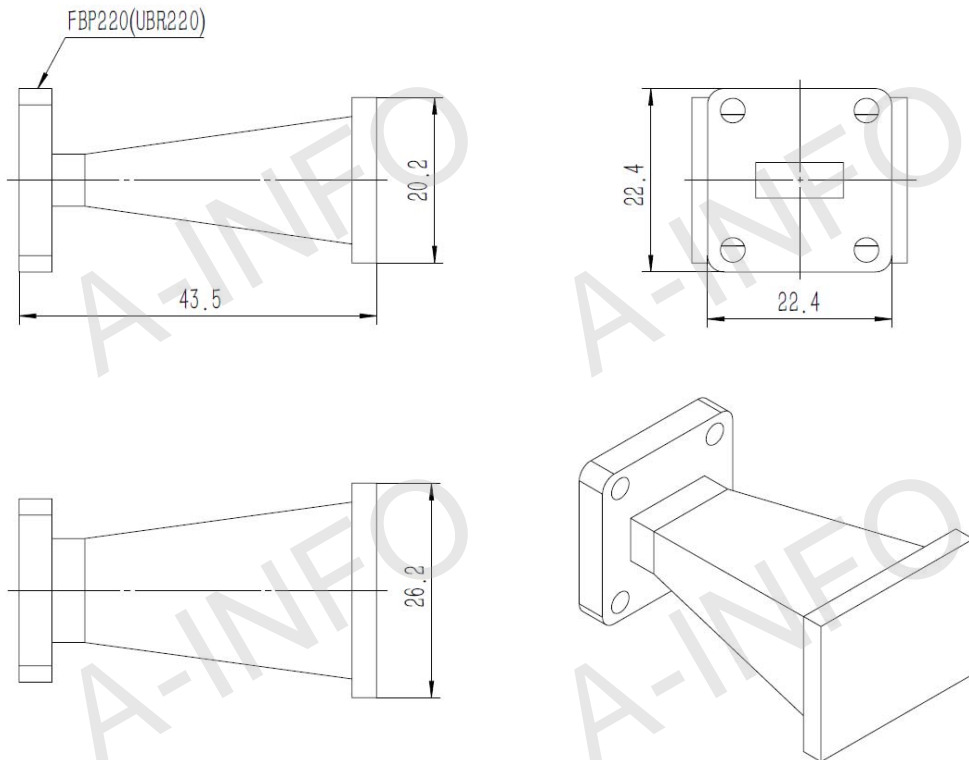


C Type (With SMA-Female Output & L Type Mounting Bracket)

For 2.92mm-Female & 3.5mm-Female output outline drawing, please contact A-INFO.

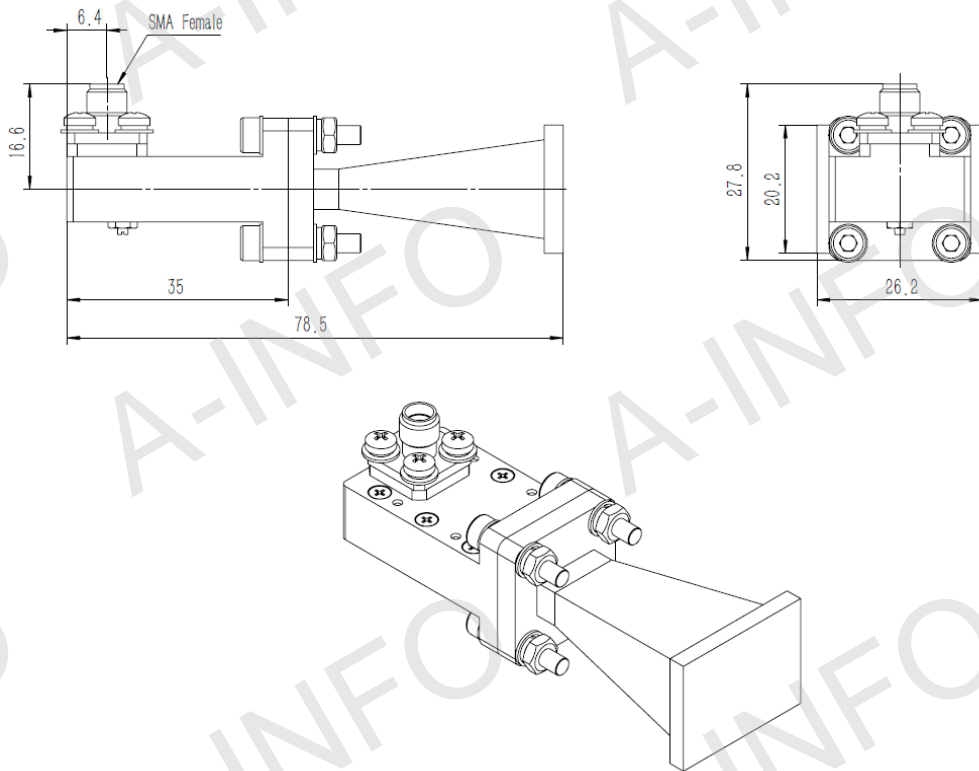


A Type (With Radome)



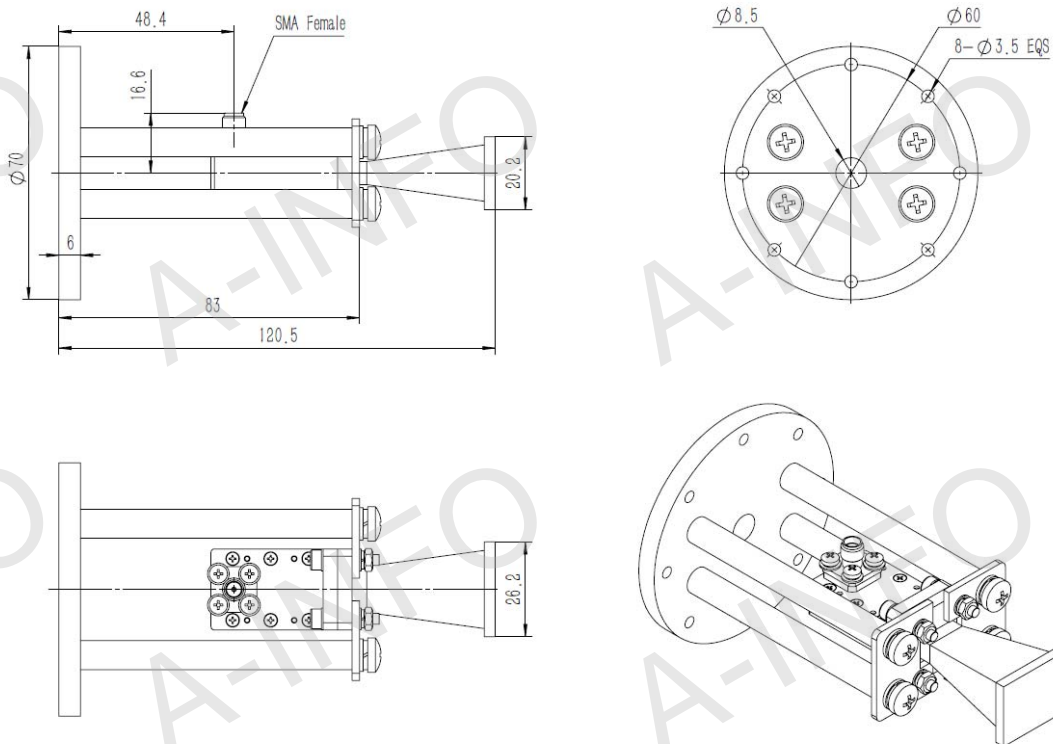
C Type (With SMA-Female Output & Radome)

For 2.92mm-Female & 3.5mm-Female output outline drawing, please contact A-INFO.



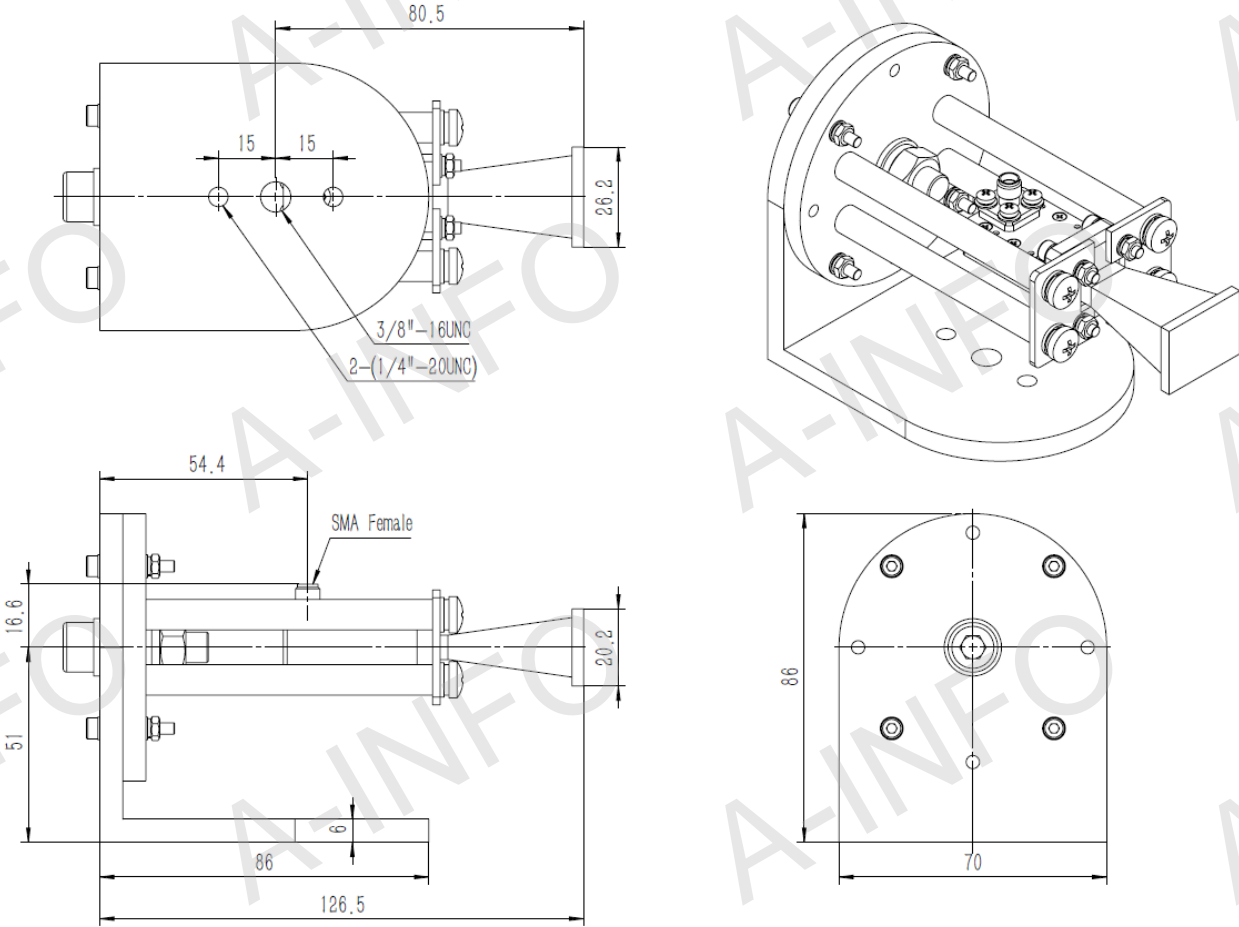
C Type (With SMA-Female Output & Round Mounting Bracket & Radome)

For 2.92mm-Female & 3.5mm-Female output outline drawing, please contact A-INFO.

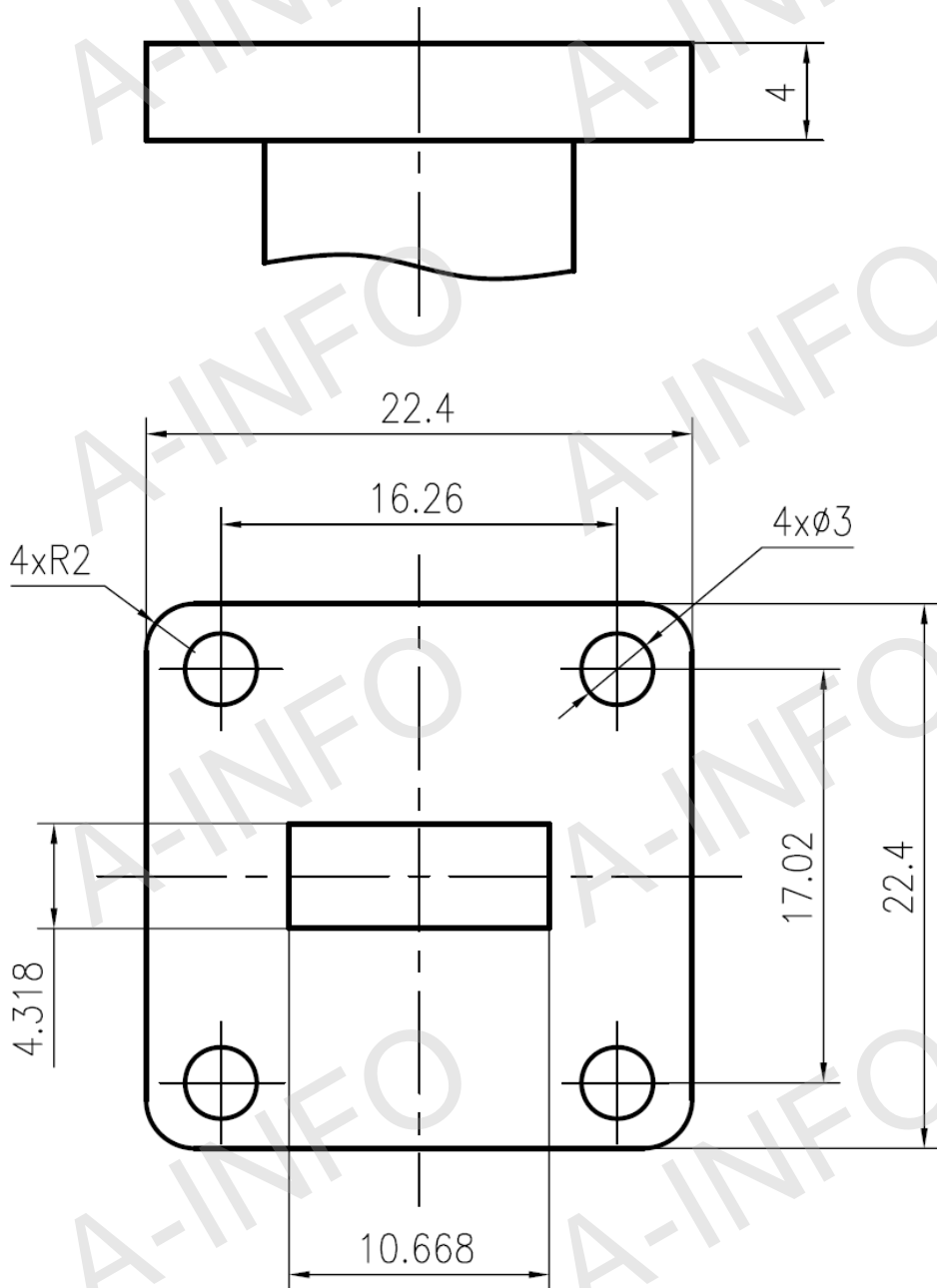


C Type (With SMA-Female Output & L Type Mounting Bracket & Radome)

For 2.92mm-Female & 3.5mm-Female output outline drawing, please contact A-INFO.



Flange Drawing (Size: mm)



FBP220

AINFO Inc.

Page 6 of 12

China(Beijing):
China(Chengdu):
USA :

Tel: (+86) 10-6266-7326,
Tel: (+86) 28-8519-2786,
Tel: (+1) 949-639-9688,

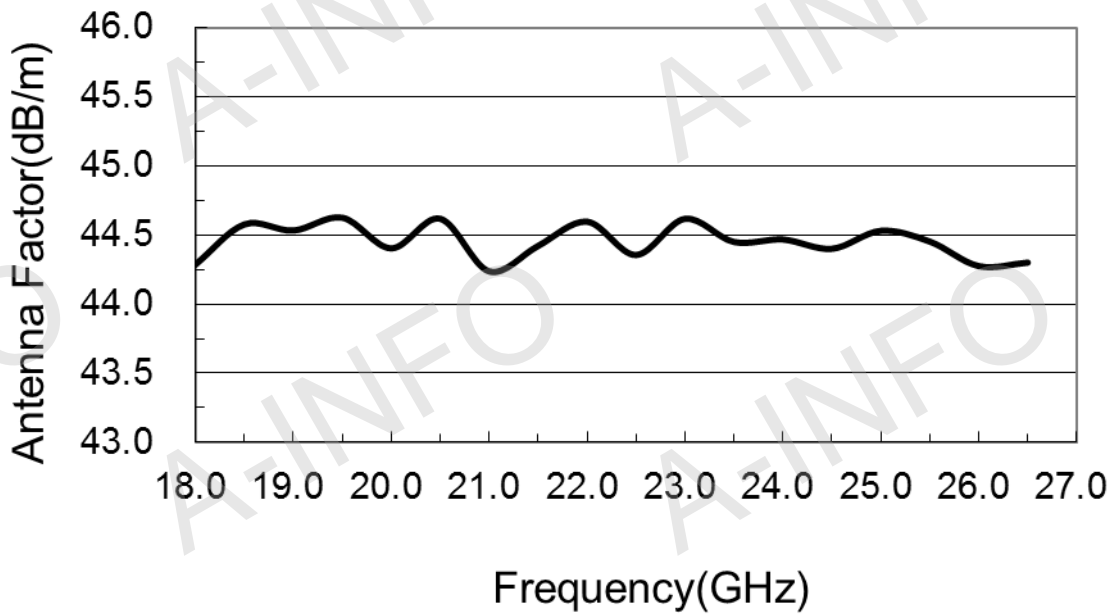
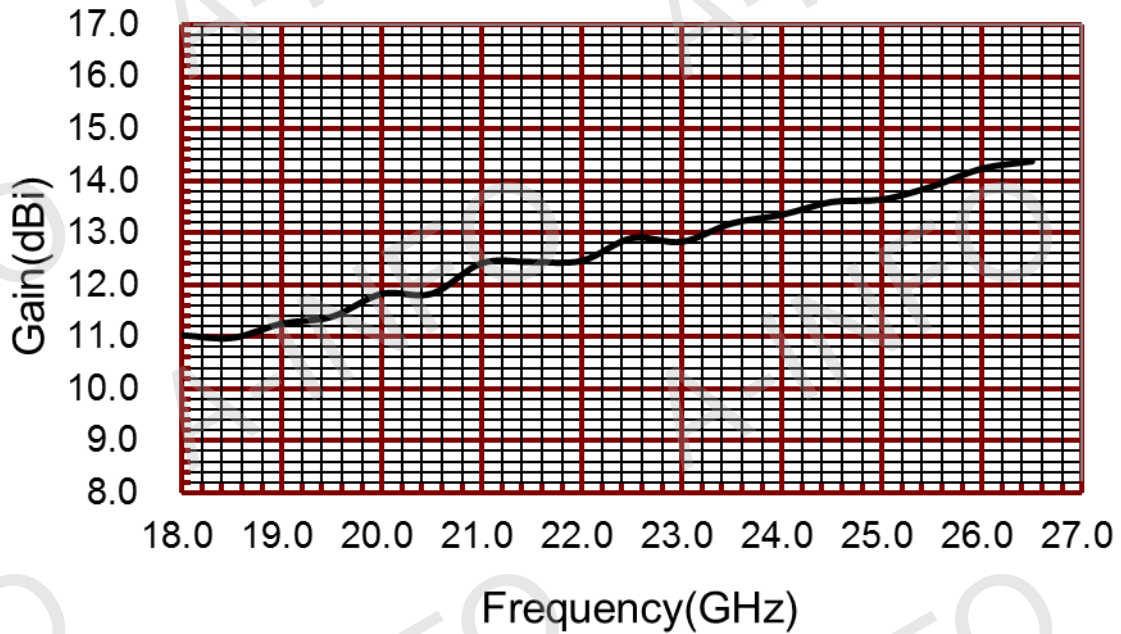
(+86) 10-6266-7327
(+86) 28-8519-3044
(+1) 949-639-9608

Fax: (+86) 10-6266-7379
Fax: (+86) 28-8519-3068
Fax: (+1) 949-639-9670

Website: www.ainfoinc.com
Email: sales@ainfoinc.com

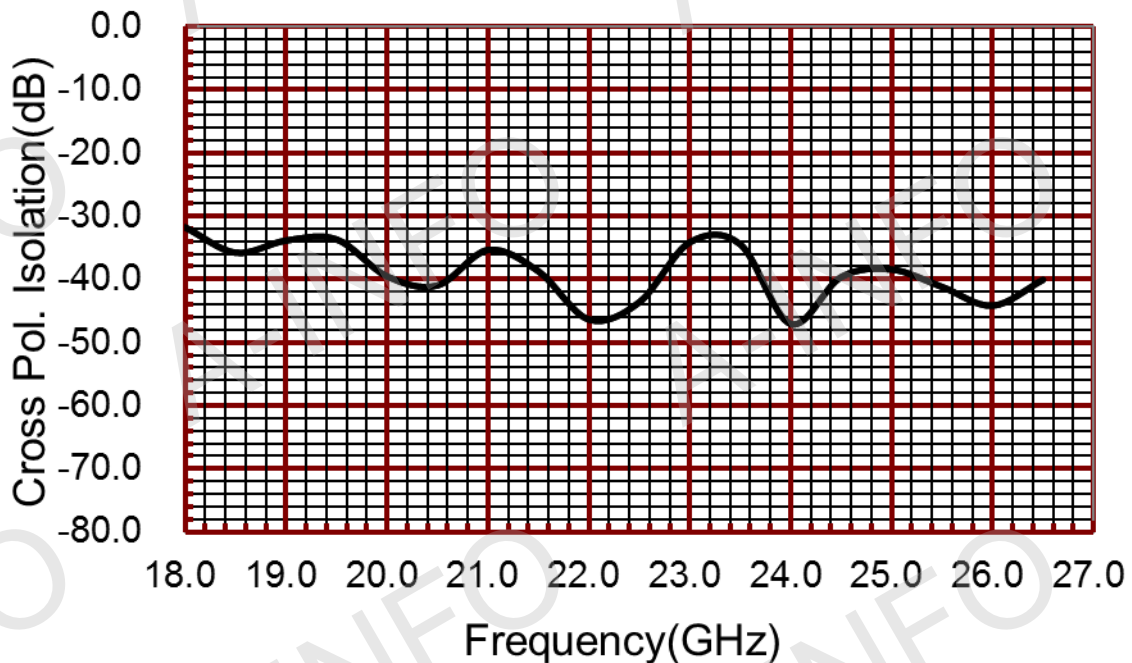
Test Results

1. Gain and Antenna Factor

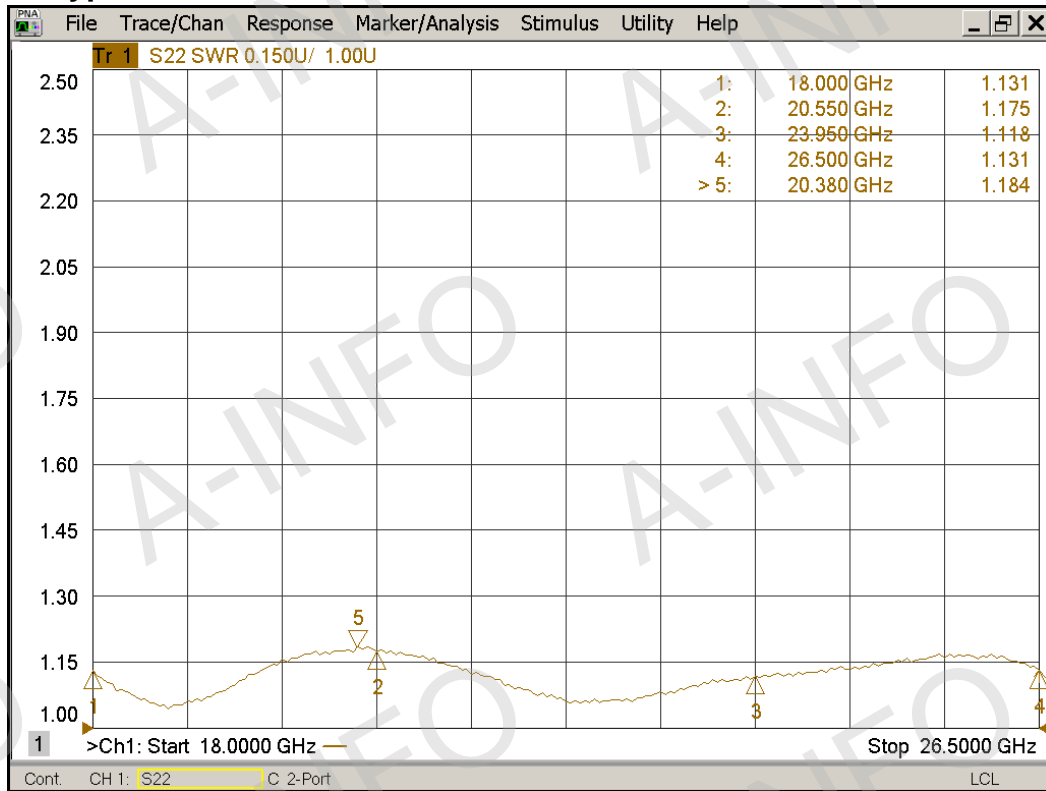


Frequency(GHz)	Gain(dBi)	Antenna Factor(dB/m)
18.00	11.03	44.29
18.50	10.98	44.58
19.00	11.25	44.53
19.50	11.39	44.63
20.00	11.83	44.40
20.50	11.83	44.62
21.00	12.42	44.24
21.50	12.44	44.42
22.00	12.46	44.60
22.50	12.90	44.36
23.00	12.83	44.62
23.50	13.18	44.45
24.00	13.35	44.47
24.50	13.59	44.40
25.00	13.64	44.53
25.50	13.89	44.45
26.00	14.23	44.27
26.50	14.37	44.30

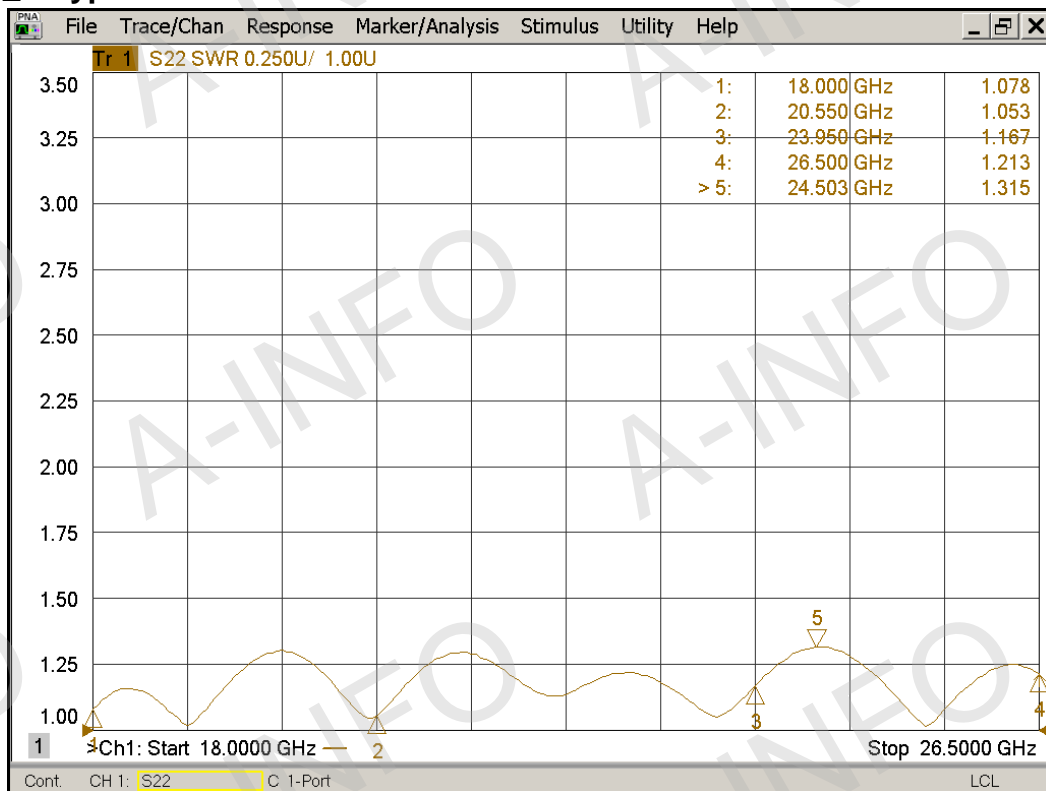
2. Cross Polarization Isolation



3. VSWR_A Type



VSWR_C Type



4. Pattern

