

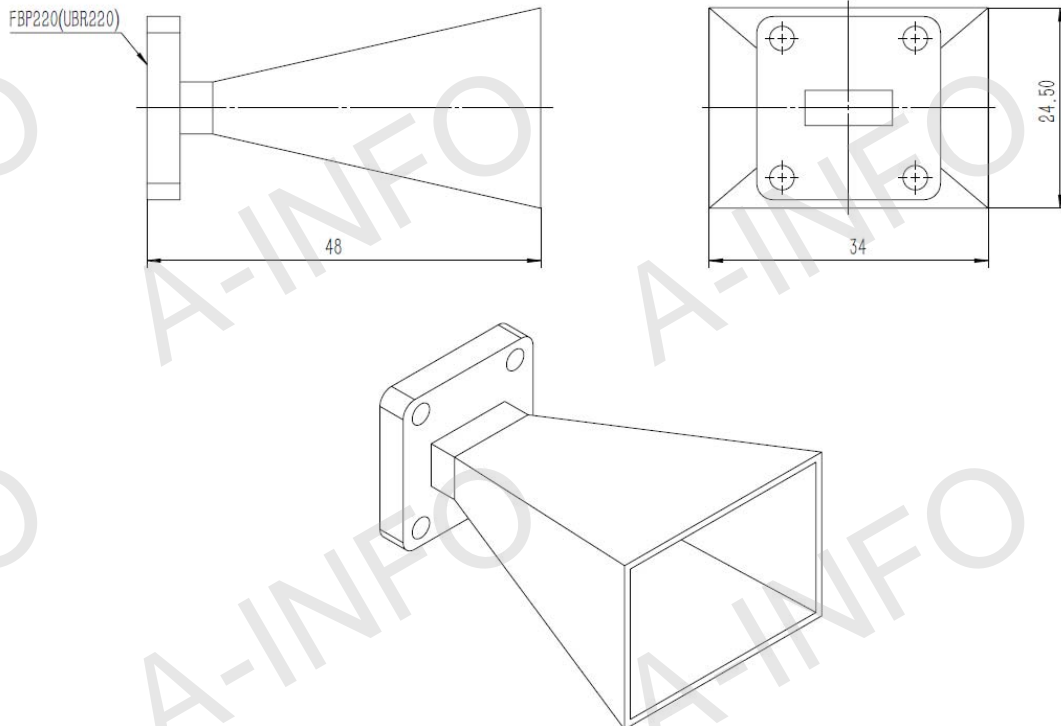
Technical Specification



Frequency Range(GHz)	18.0 - 26.5	
Waveguide	WR42	
Gain(dBi)	15 Typ.	
Polarization	Linear	
3dB Beamwidth(deg)	30 Typ.	
Cross Pol. Isolation(dB)	40 Typ.	
VSWR	A Type:	1.15:1 Typ.
	C Type:	1.25:1 Typ.
Output	A Type:	FBP220(UBR220)
	C Type:	SMA-Female or 2.92mm-Female or 3.5mm-Female
Material	Cu	
Size(mm)	A Type:	34 x 24.5 x 48
	C Type:	34 x 28.8 x 83
Net Weight(Kg)	A Type:	0.10 Around
	C Type:	0.15 Around

Outline Drawing (Size: mm)

A Type(With FBP220 Output)



AINFO Inc.

Page 1 of 12

China(Beijing):
China(Chengdu):
USA :

Tel: (+86) 10-6266-7326,
Tel: (+86) 28-8519-2786,
Tel: (+1) 949-639-9688,

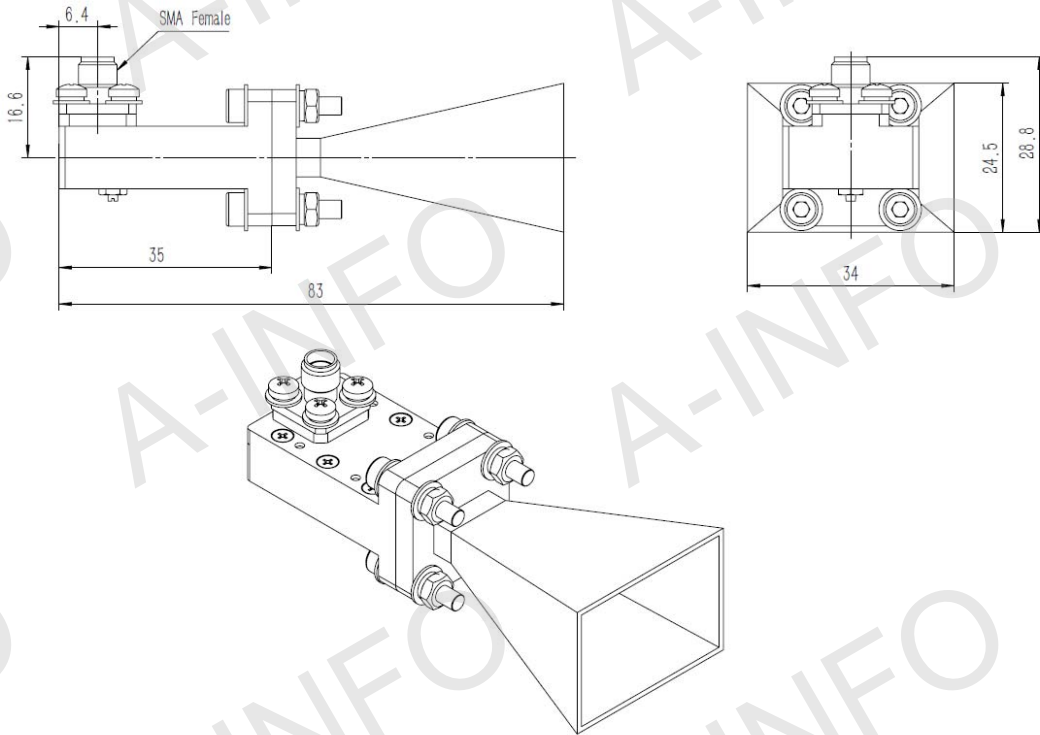
(+86) 10-6266-7327
(+86) 28-8519-3044
(+1) 949-639-9608

Fax: (+86) 10-6266-7379
Fax: (+86) 28-8519-3068
Fax: (+1) 949-639-9670

Website: www.ainfoinc.com
Email: sales@ainfoinc.com

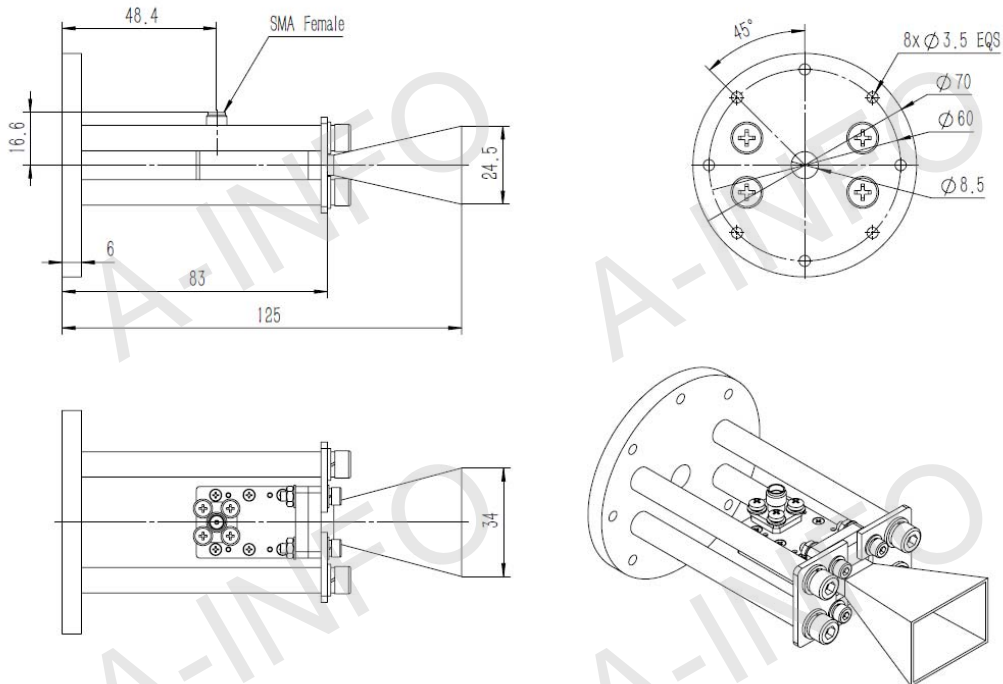
C Type (With SMA-Female Output)

For 2.92mm-Female & 3.5mm-Female output outline drawing, please contact A-INFO.



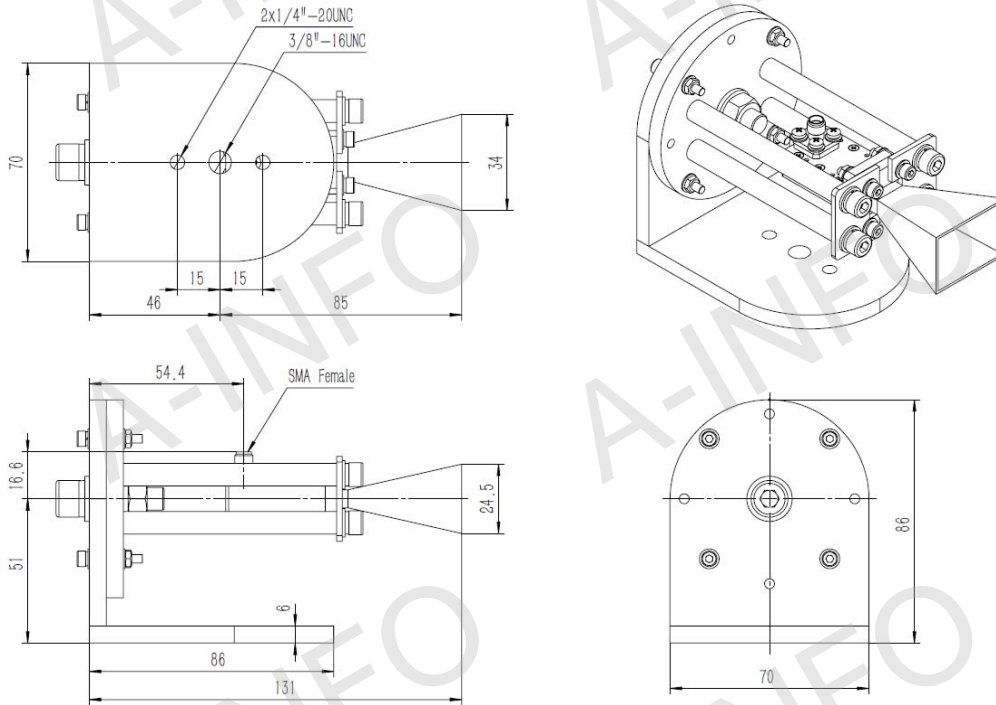
C Type (With SMA-Female Output & Round Mounting Bracket)

For 2.92mm-Female & 3.5mm-Female output outline drawing, please contact A-INFO.

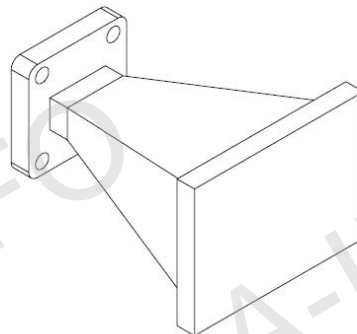
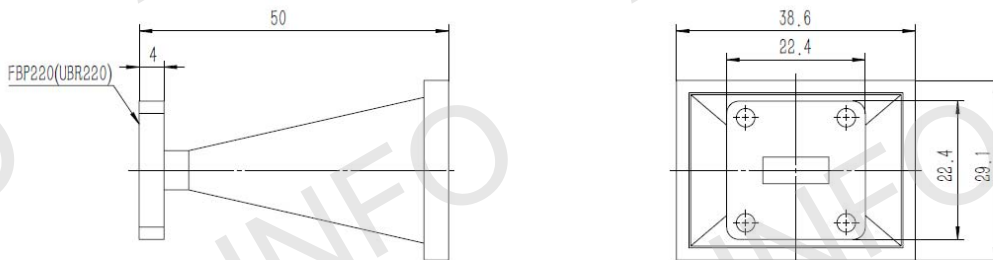


C Type (With SMA-Female Output & L Type Mounting Bracket)

For 2.92mm-Female & 3.5mm-Female output outline drawing, please contact A-INFO.

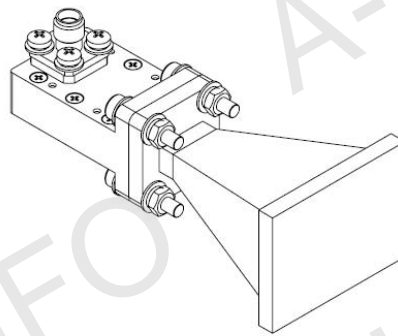
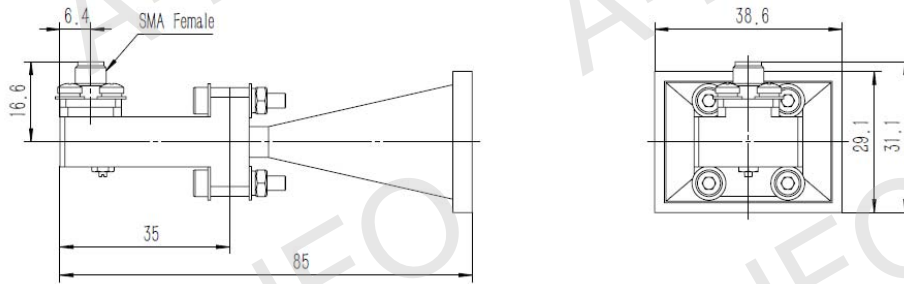


A Type (With Radome)



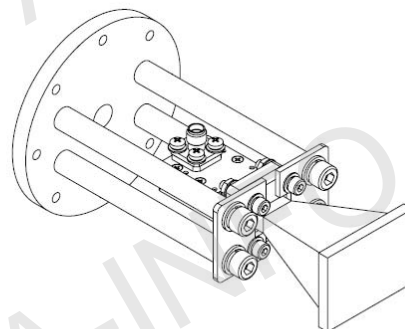
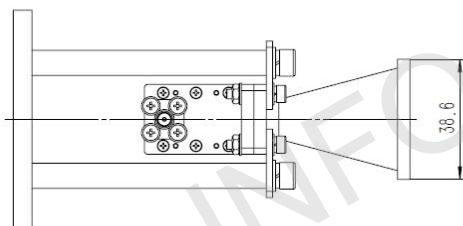
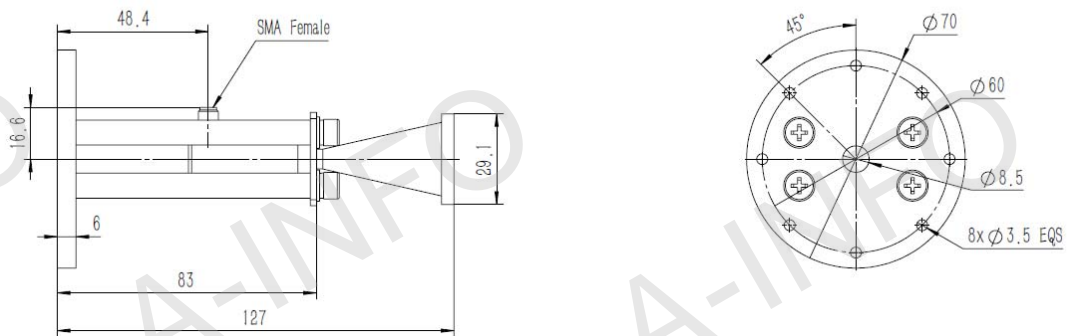
C Type (With SMA-Female Output & Radome)

For 2.92mm-Female & 3.5mm-Female output outline drawing, please contact A-INFO.



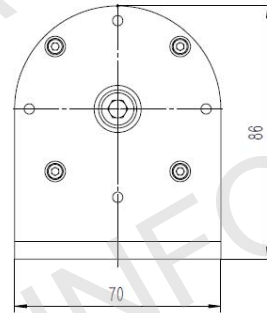
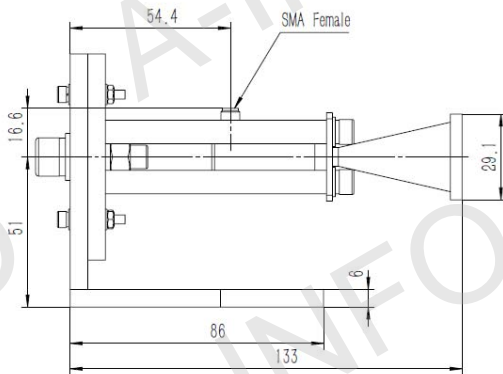
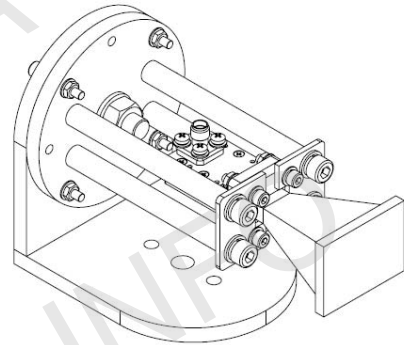
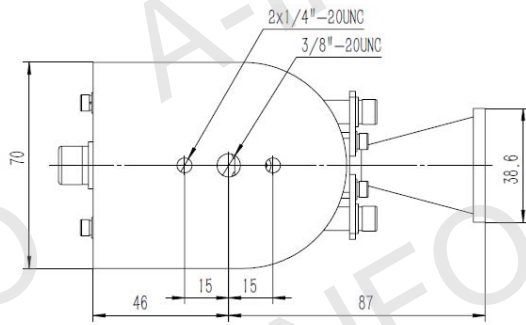
C Type (With SMA-Female Output & Round Mounting Bracket & Radome)

For 2.92mm-Female & 3.5mm-Female output outline drawing, please contact A-INFO.

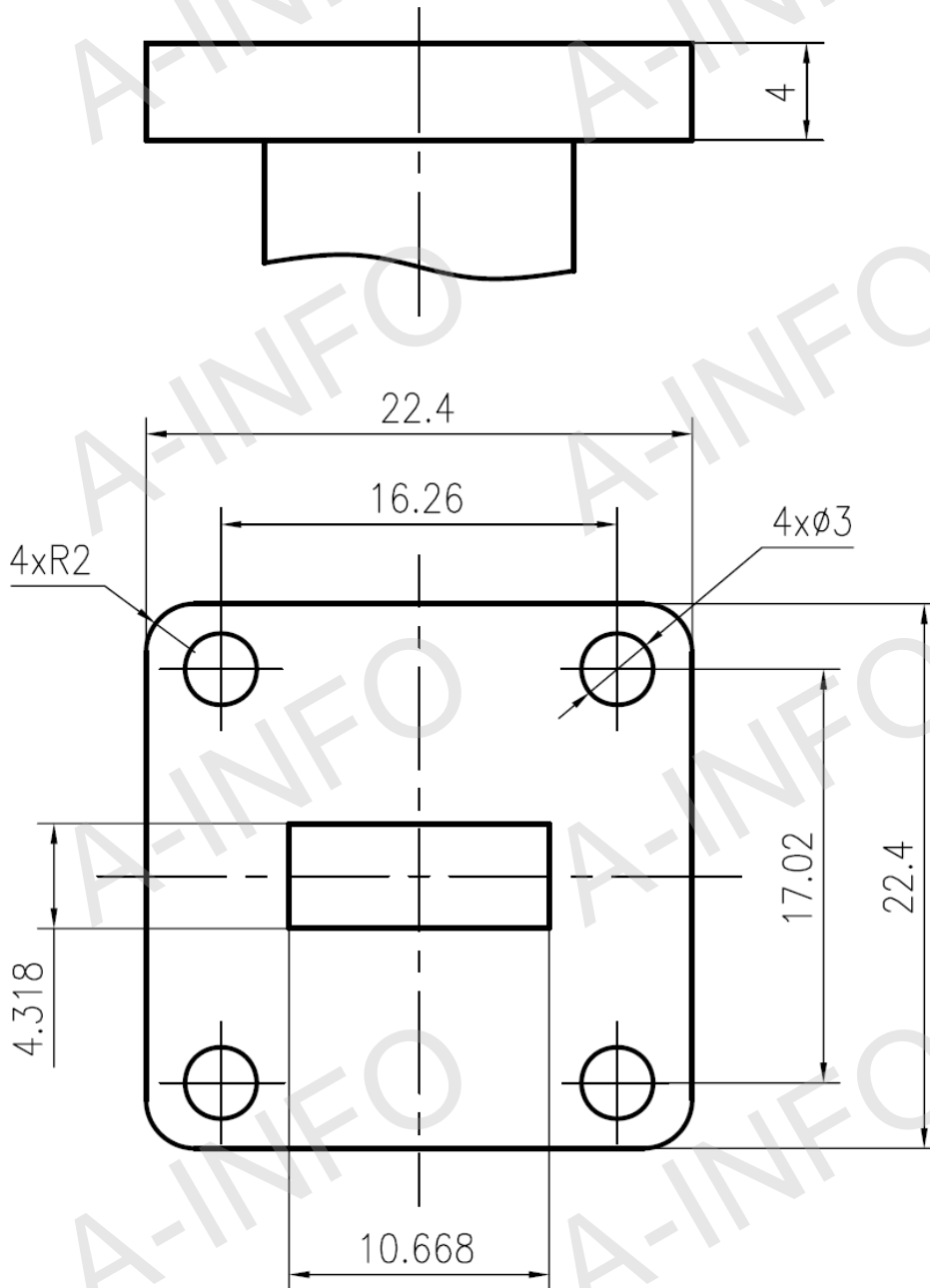


C Type (With SMA-Female Output & L Type Mounting Bracket & Radome)

For 2.92mm-Female & 3.5mm-Female output outline drawing, please contact A-INFO.



Flange Drawing (Size: mm)



FBP220

AINFO Inc.

Page 6 of 12

China(Beijing):
China(Chengdu):
USA :

Tel: (+86) 10-6266-7326,
Tel: (+86) 28-8519-2786,
Tel: (+1) 949-639-9688,

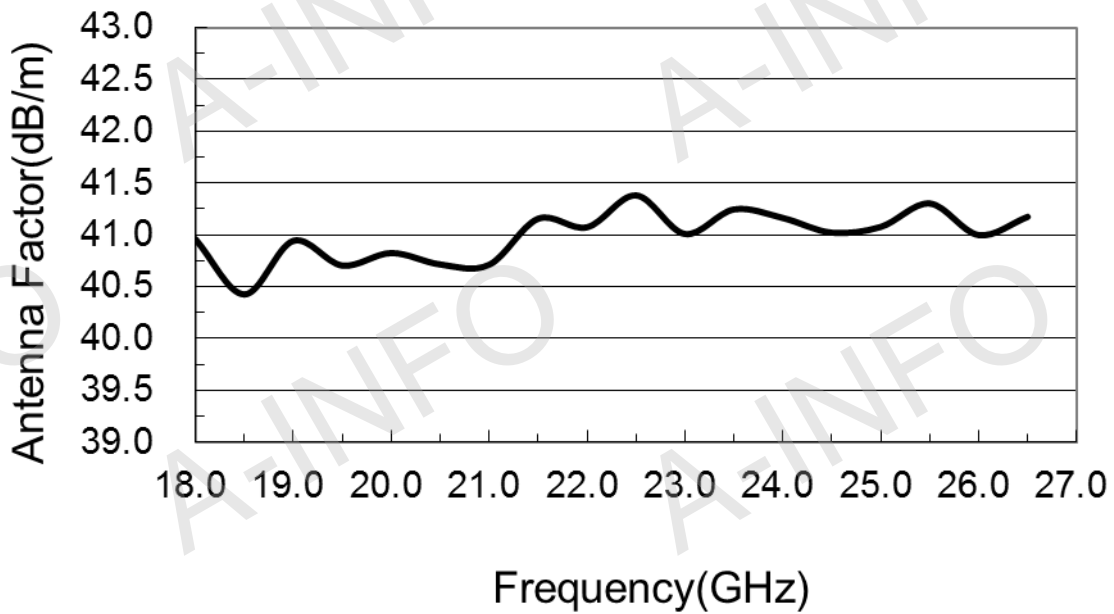
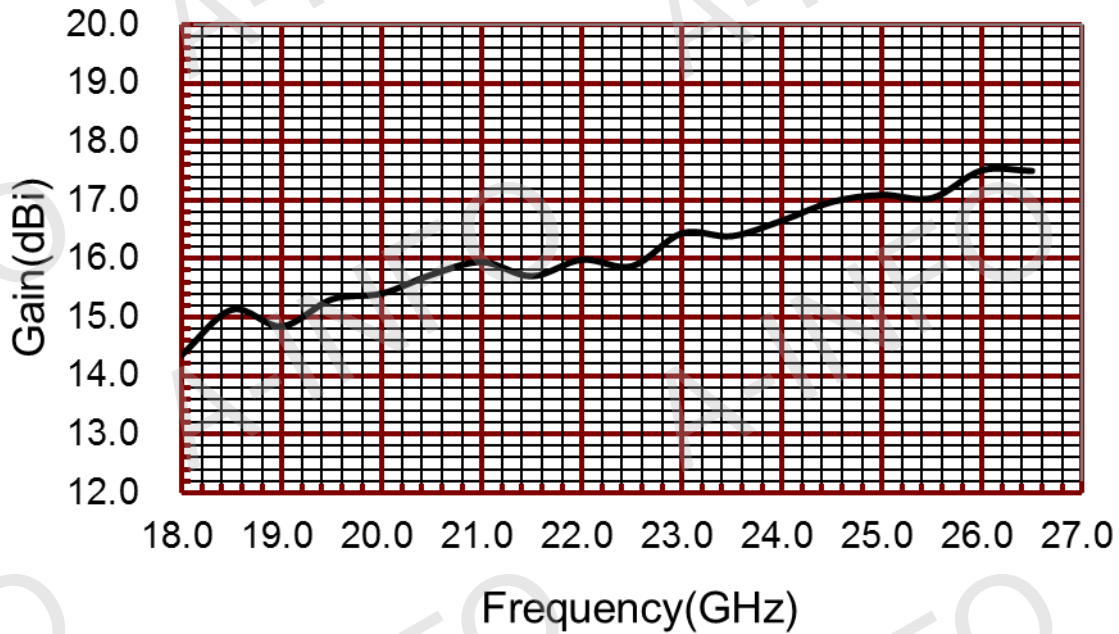
(+86) 10-6266-7327
(+86) 28-8519-3044
(+1) 949-639-9608

Fax: (+86) 10-6266-7379
Fax: (+86) 28-8519-3068
Fax: (+1) 949-639-9670

Website: www.ainfoinc.com
Email: sales@ainfoinc.com

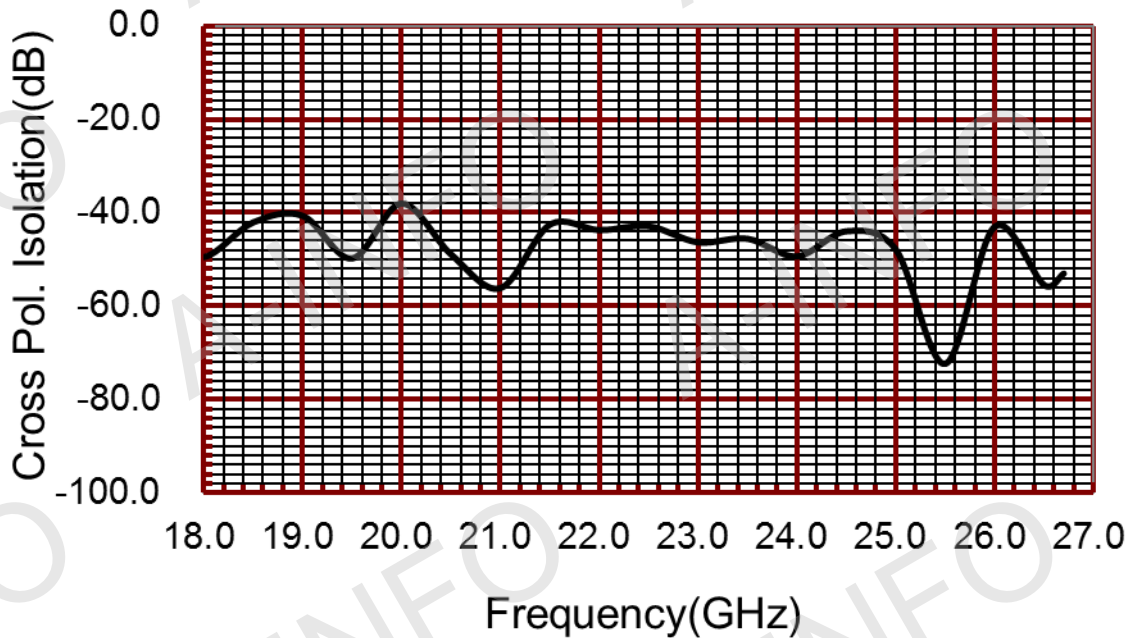
Test Results

1. Gain and Antenna Factor

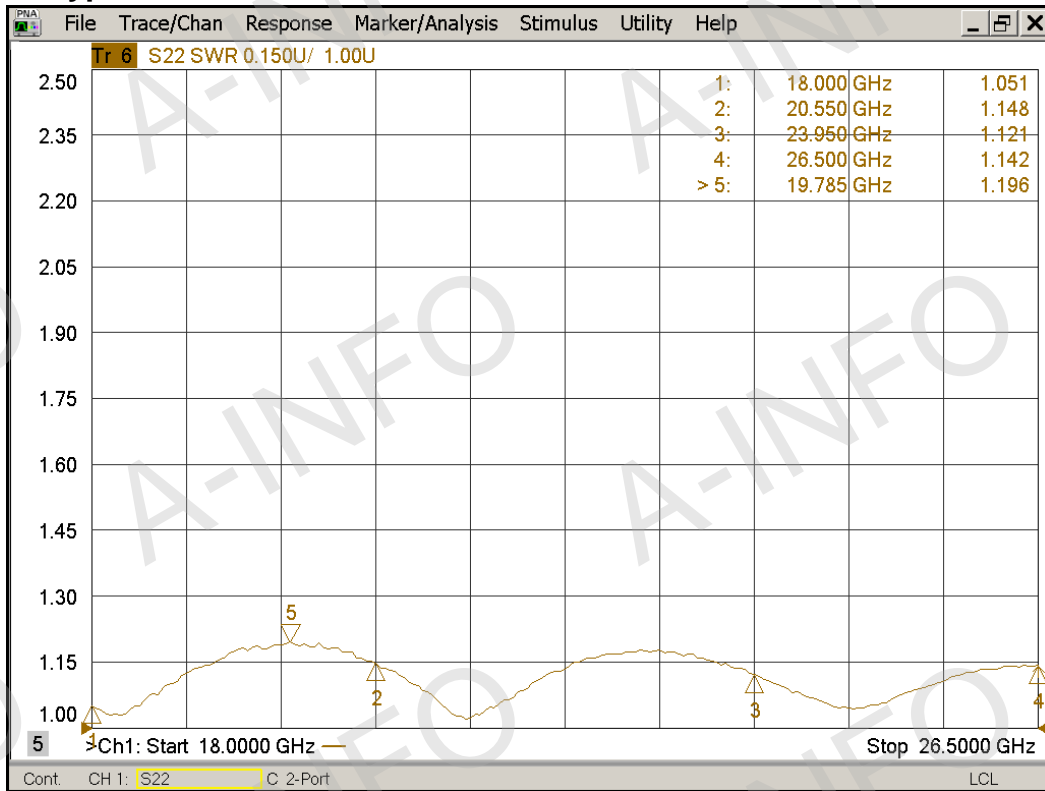


Frequency(GHz)	Gain(dBi)	Antenna Factor(dB/m)
18.00	14.36	40.96
18.50	15.13	40.43
19.00	14.84	40.94
19.50	15.31	40.70
20.00	15.40	40.83
20.50	15.73	40.72
21.00	15.94	40.71
21.50	15.70	41.16
22.00	15.98	41.07
22.50	15.87	41.38
23.00	16.44	41.01
23.50	16.39	41.25
24.00	16.65	41.16
24.50	16.97	41.02
25.00	17.09	41.08
25.50	17.04	41.30
26.00	17.51	41.00
26.50	17.50	41.17

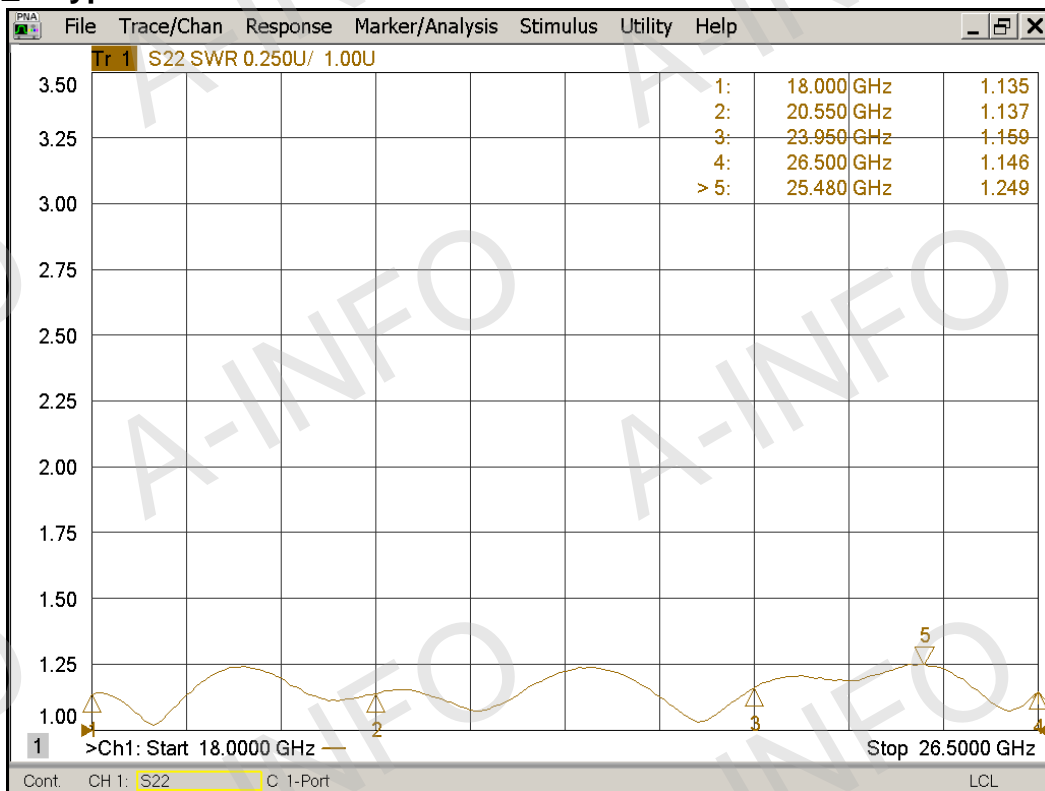
2. Cross Polarization Isolation



3. VSWR_A Type



VSWR_C Type



4. Pattern

