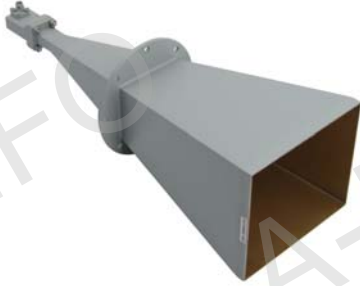


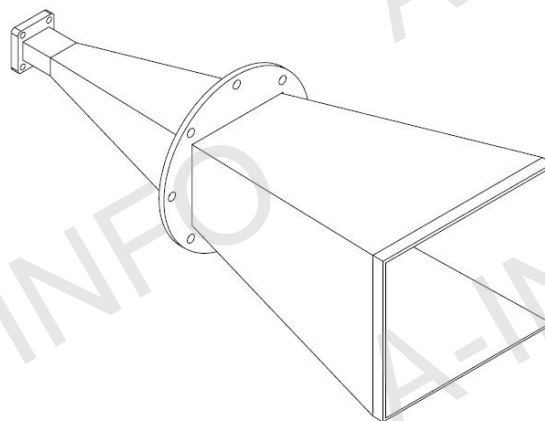
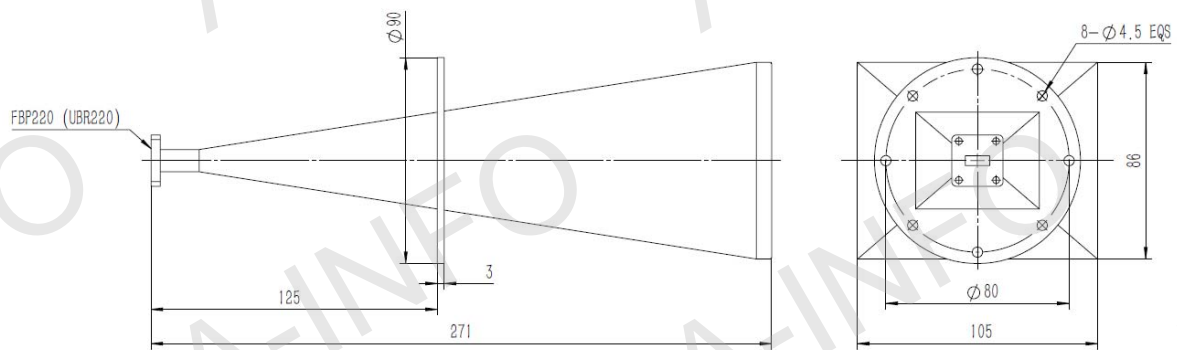
## Technical Specification



Frequency Range(GHz)	18.0 - 26.5	
Waveguide	WR42	
Gain(dBi)	25 Typ.	
Polarization	Linear	
3dB Beamwidth(deg)	10 Typ.	
Cross Pol. Isolation(dB)	45 Typ.	
VSWR	A2 Type:	1.15:1 Typ.
	C2 Type:	1.25:1 Typ.
Output	A2 Type:	FBP220(UBR220)
	C2 Type:	SMA-Female or 2.92mm-Female or 3.5mm-Female
Material	Al	
Size(mm)	A2 Type:	105 x 90 x 271
	C2 Type:	105 x 90 x 306
Net Weight(Kg)	A2 Type:	0.50 Around
	C2 Type:	0.55 Around

## Outline Drawing (Size: mm)

A2 Type(With FBP220 Output)



**AINFO Inc.**

Page 1 of 14

China(Beijing):  
China(Chengdu):  
USA :

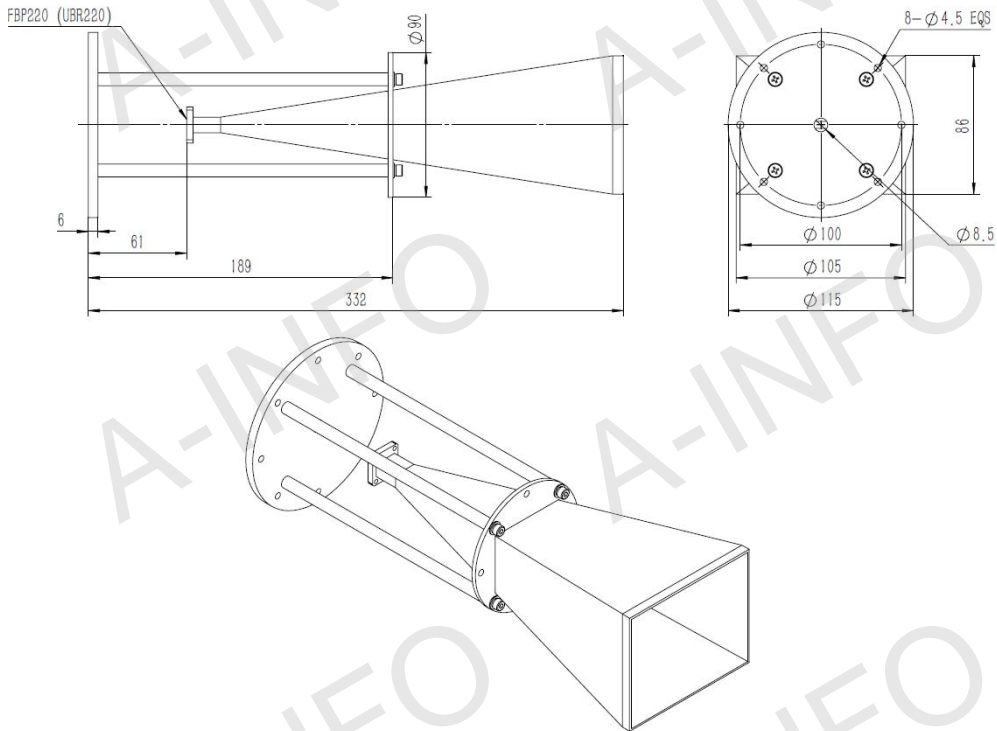
Tel: (+86) 10-6266-7326,  
Tel: (+86) 28-8519-2786,  
Tel: (+1) 949-639-9688,

(+86) 10-6266-7327  
(+86) 28-8519-3044  
(+1) 949-639-9608

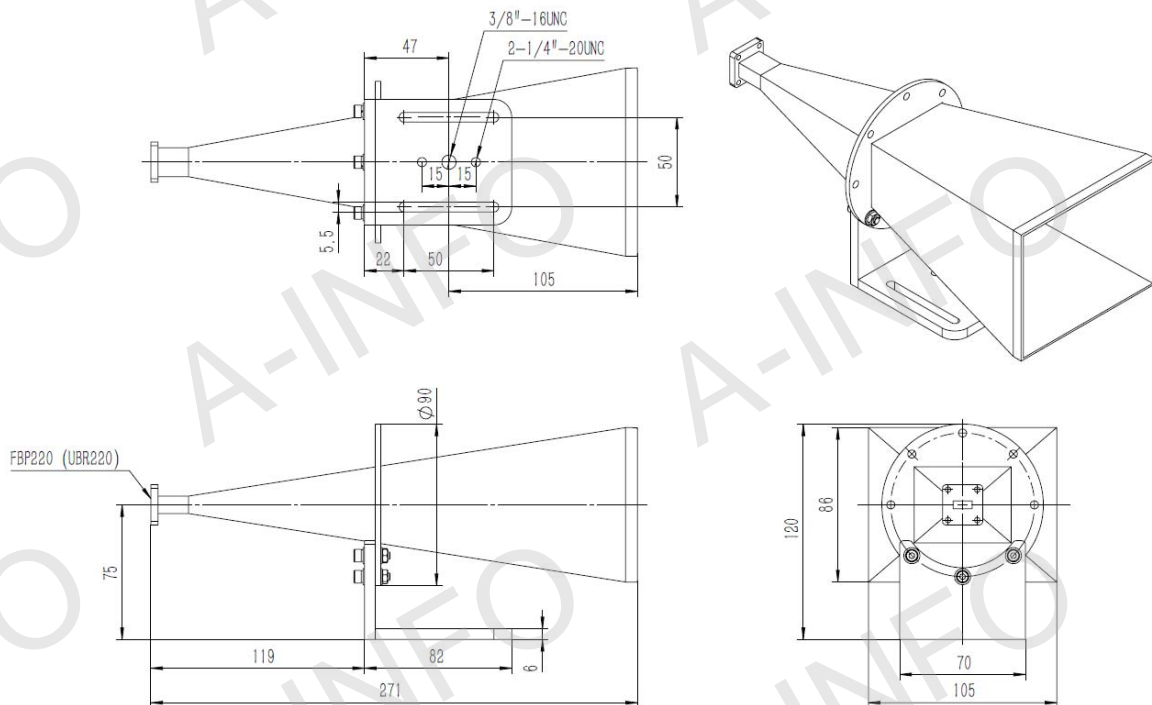
Fax: (+86) 10-6266-7379  
Fax: (+86) 28-8519-3068  
Fax: (+1) 949-639-9670

Website: [www.ainfoinc.com](http://www.ainfoinc.com)  
Email: [sales@ainfoinc.com](mailto:sales@ainfoinc.com)

## A2 Type (With Round Mounting Bracket)

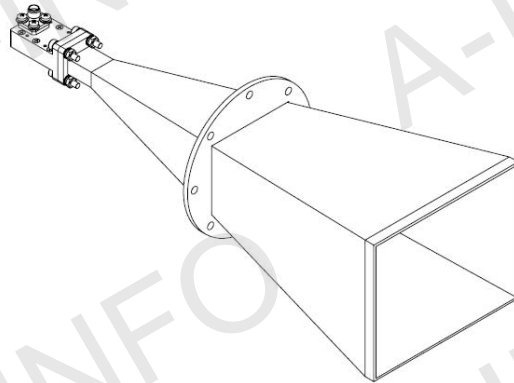
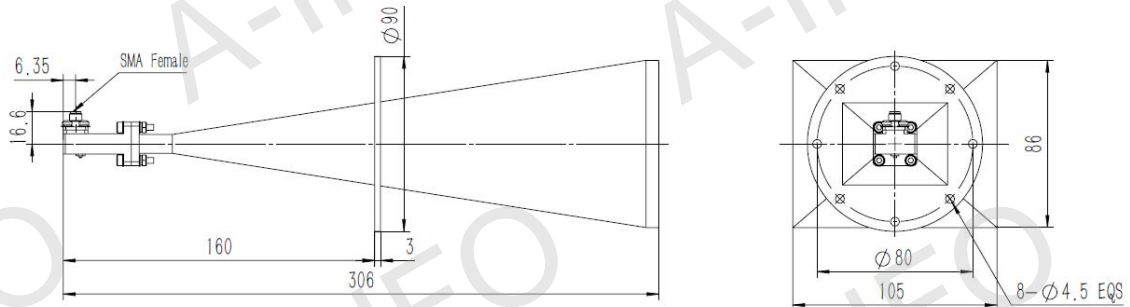


## A2 Type (With L Type Mounting Bracket)



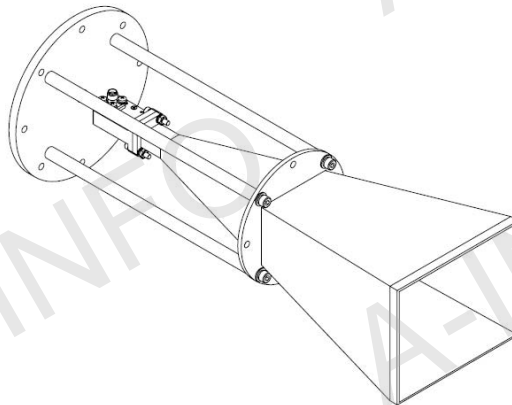
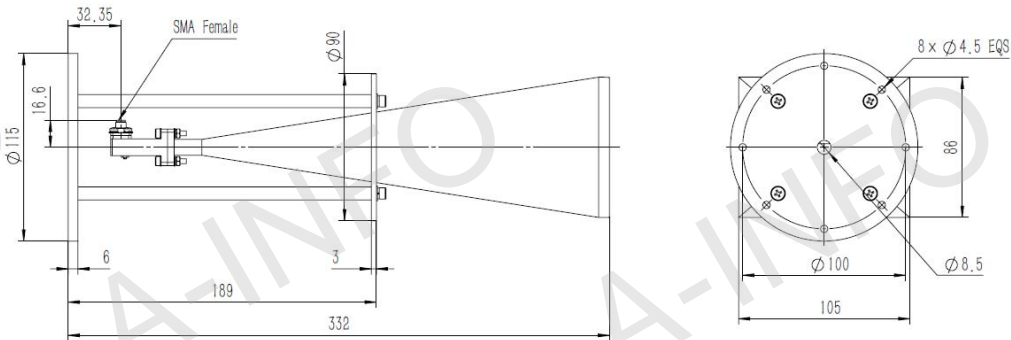
## C2 Type (With SMA-Female Output)

For 2.92mm-Female & 3.5mm-Female output outline drawing, please contact A-INFO.



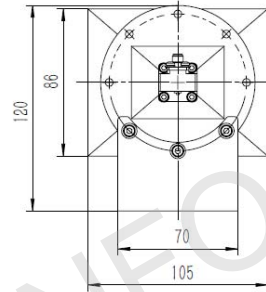
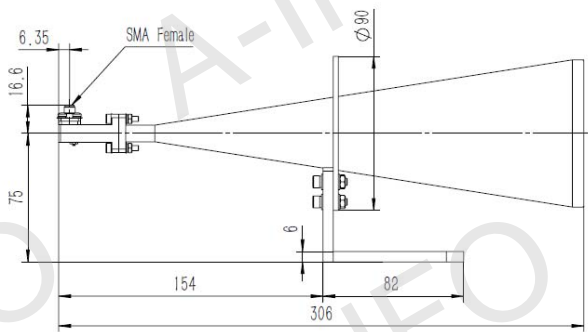
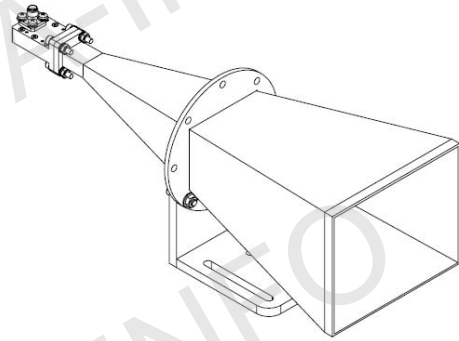
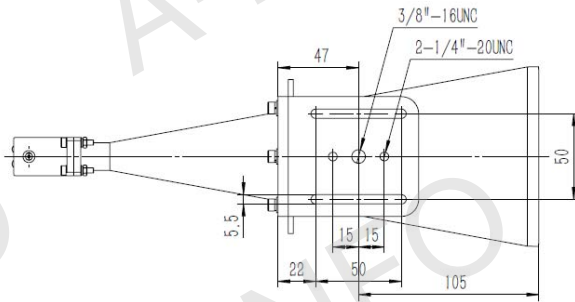
## C2 Type (With SMA-Female Output & Round Mounting Bracket)

For 2.92mm-Female & 3.5mm-Female output outline drawing, please contact A-INFO.

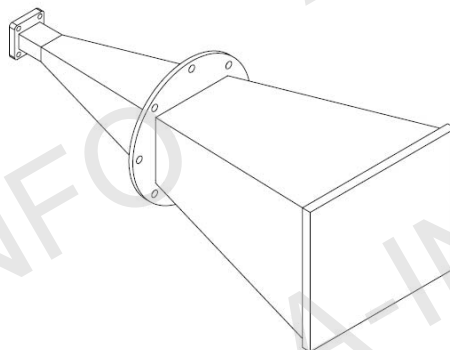
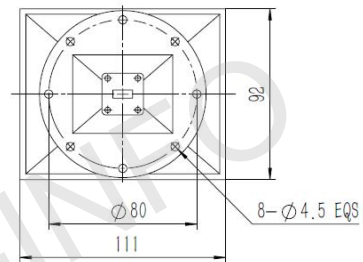
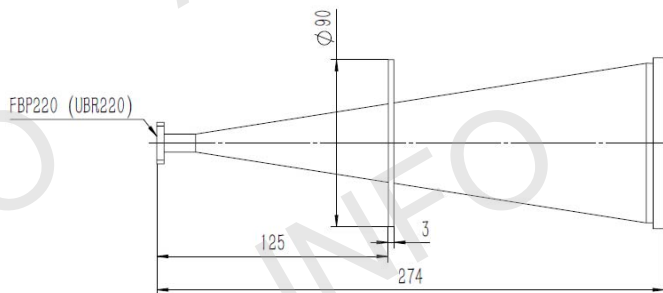


## C2 Type (With SMA-Female Output & L Type Mounting Bracket)

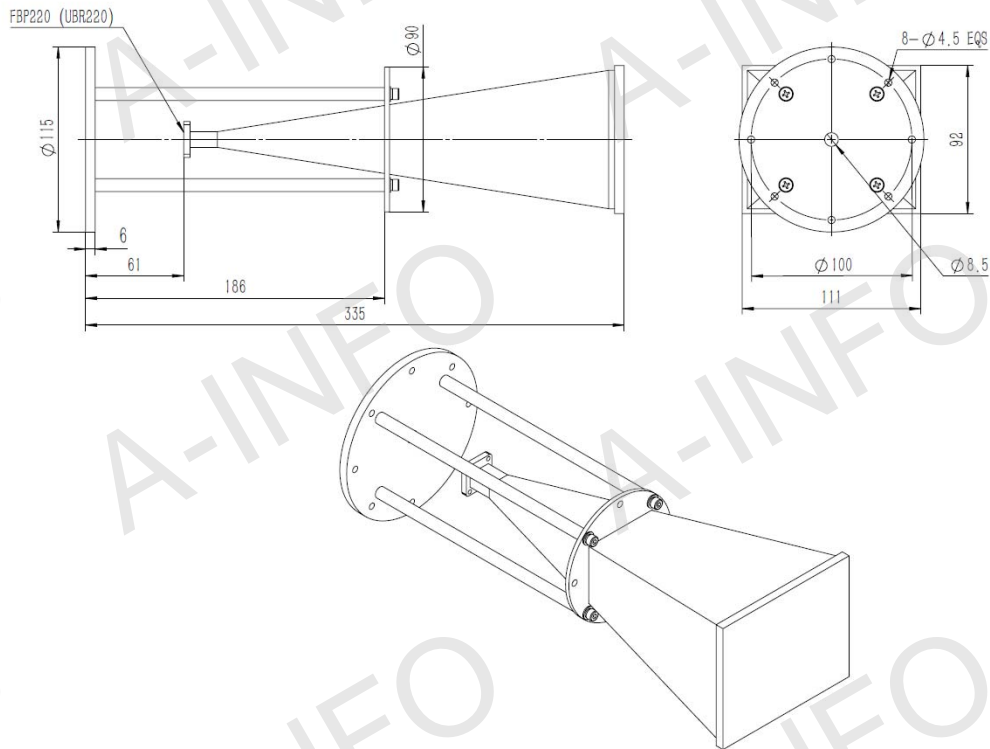
For 2.92mm-Female & 3.5mm-Female output outline drawing, please contact A-INFO.



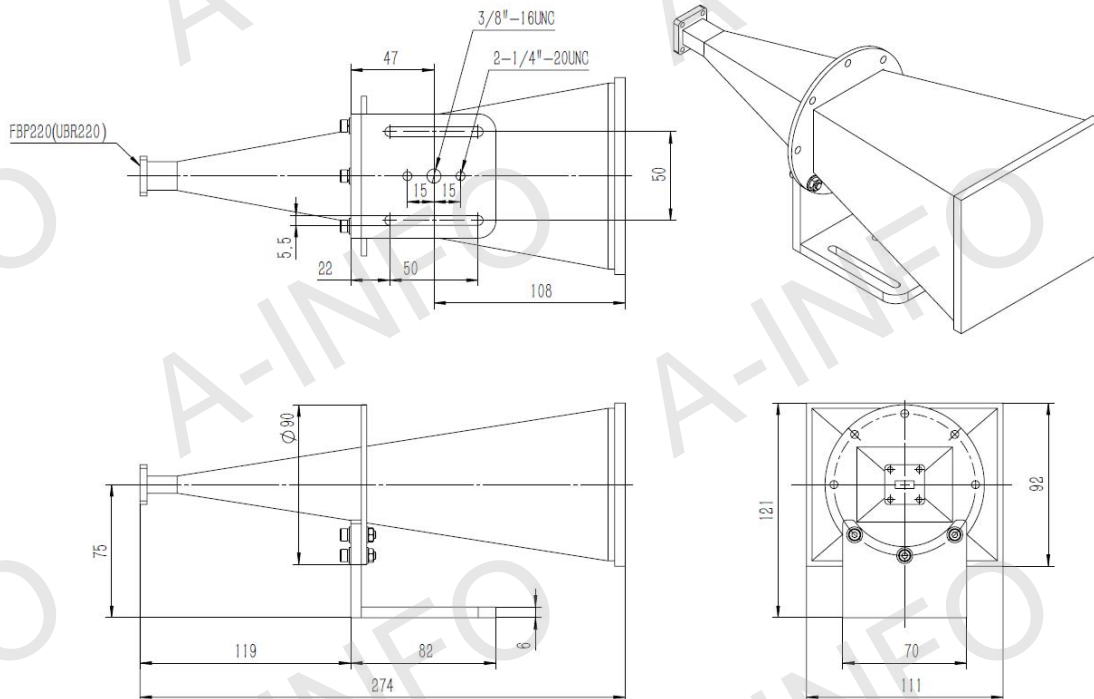
## A2 Type (With Radome)



## A2 Type (With Round Mounting Bracket & Radome)

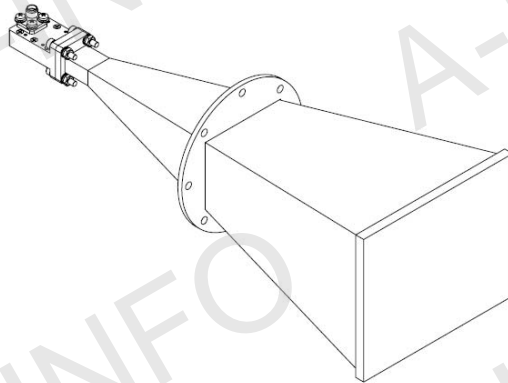
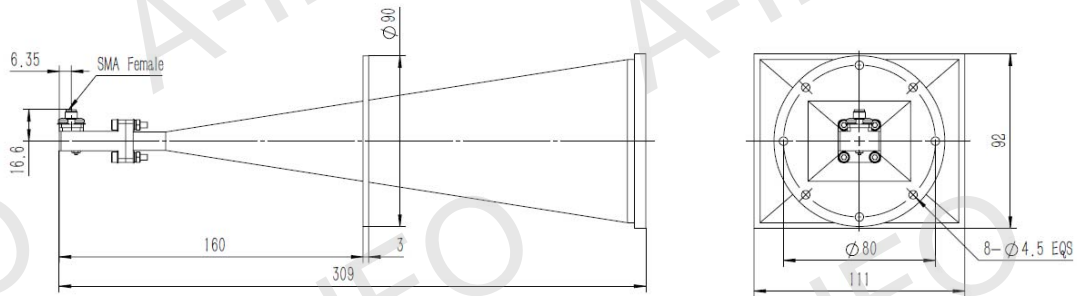


## A2 Type (With L Type Mounting Bracket & Radome)



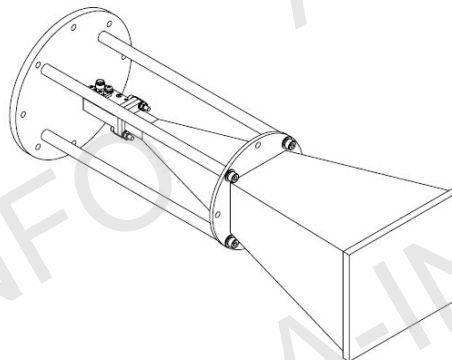
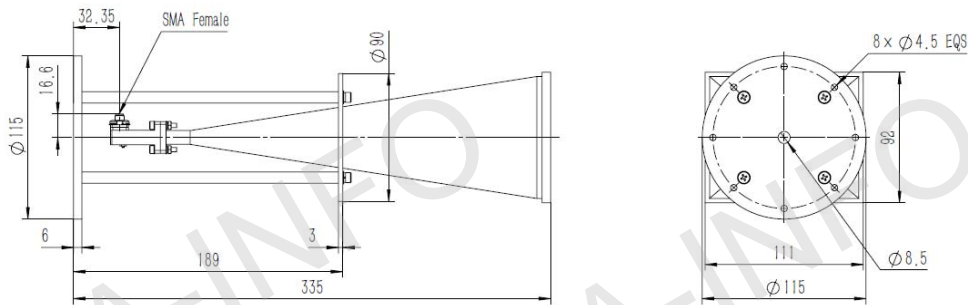
## C2 Type (With SMA-Female Output & Radome)

For 2.92mm-Female & 3.5mm-Female output outline drawing, please contact A-INFO.



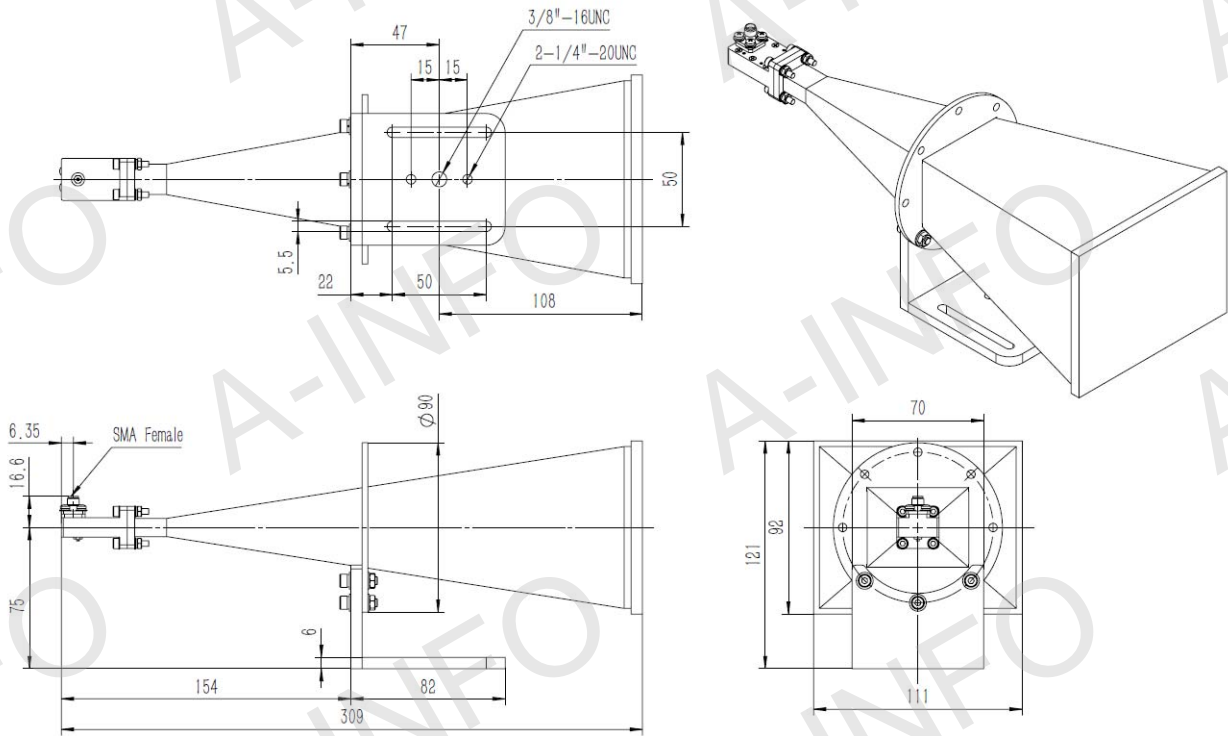
## C2 Type (With SMA-Female Output & Round Mounting Bracket & Radome)

For 2.92mm-Female & 3.5mm-Female output outline drawing, please contact A-INFO.

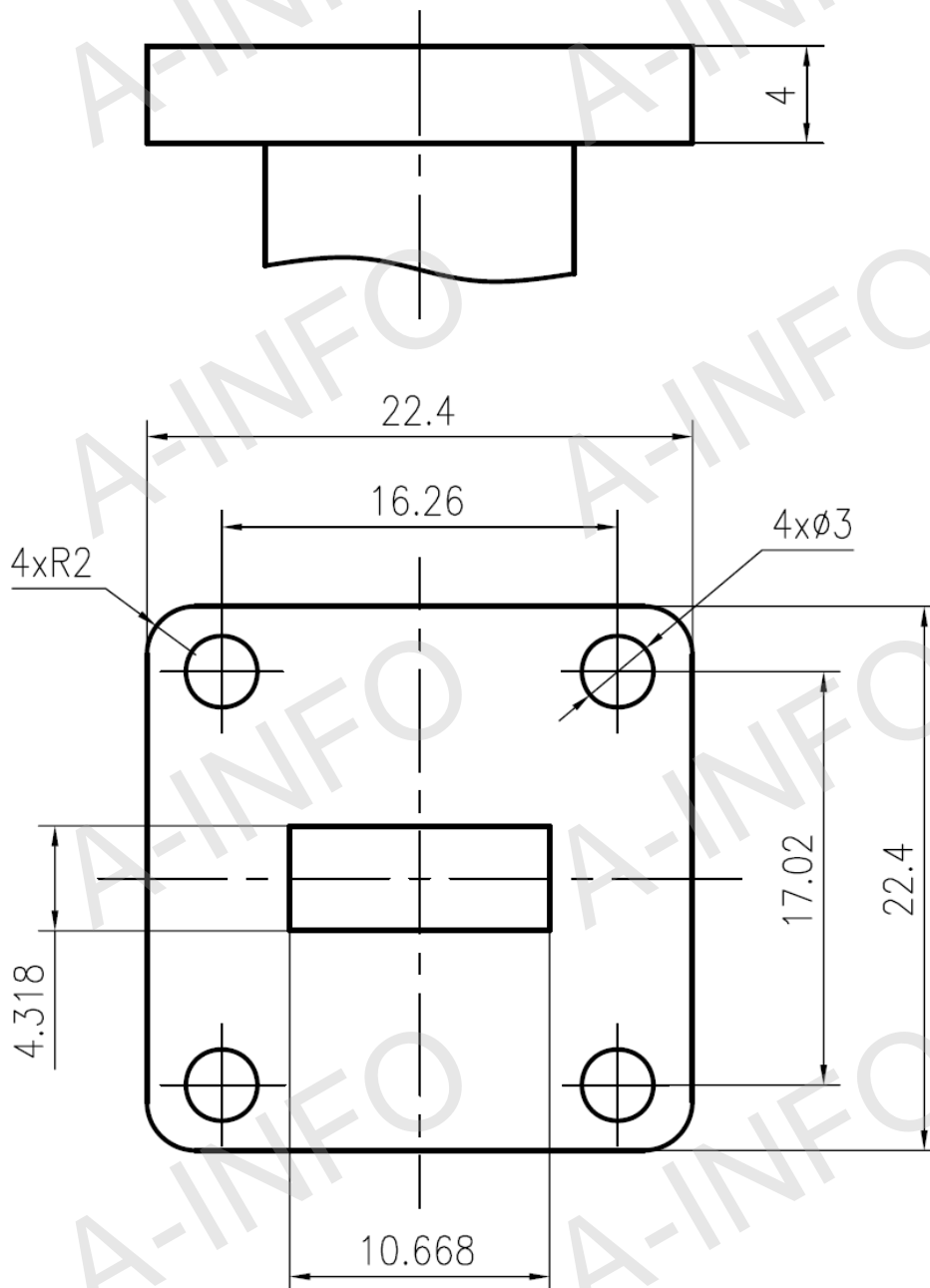


## C2 Type (With SMA-Female Output & L Type Mounting Bracket & Radome)

For 2.92mm-Female & 3.5mm-Female output outline drawing, please contact A-INFO.



## Flange Drawing (Size: mm)



## FBP220

AINFO Inc.

Page 8 of 14

China(Beijing):  
China(Chengdu):  
USA :

Tel: (+86) 10-6266-7326,  
Tel: (+86) 28-8519-2786,  
Tel: (+1) 949-639-9688,

(+86) 10-6266-7327  
(+86) 28-8519-3044  
(+1) 949-639-9608

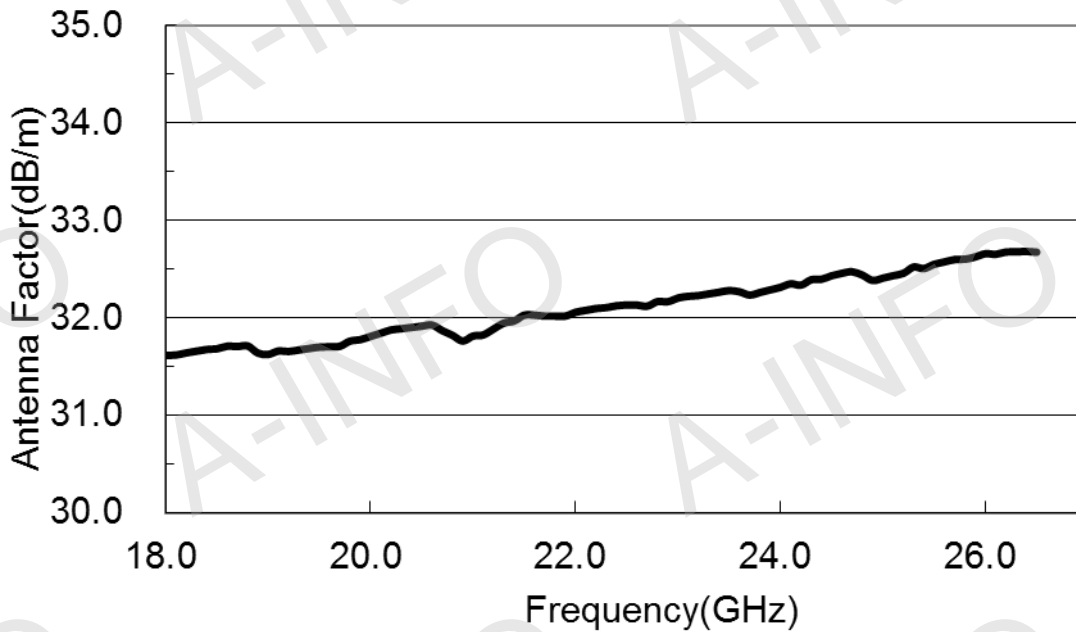
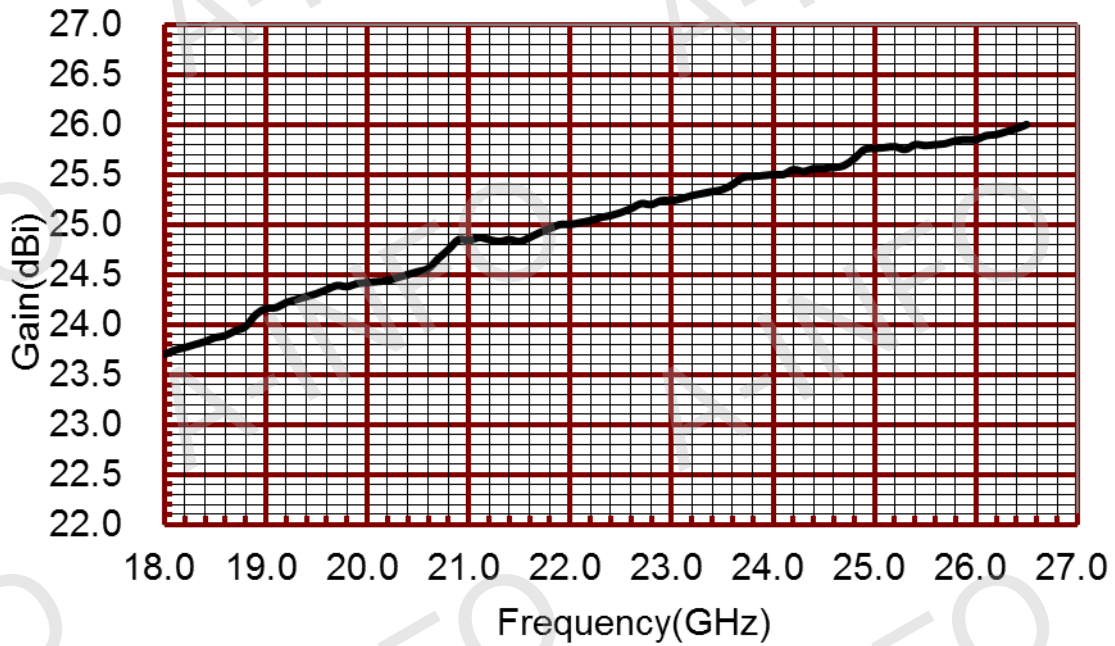
Fax: (+86) 10-6266-7379  
Fax: (+86) 28-8519-3068  
Fax: (+1) 949-639-9670

Website: [www.ainfoinc.com](http://www.ainfoinc.com)  
Email: [sales@ainfoinc.com](mailto:sales@ainfoinc.com)



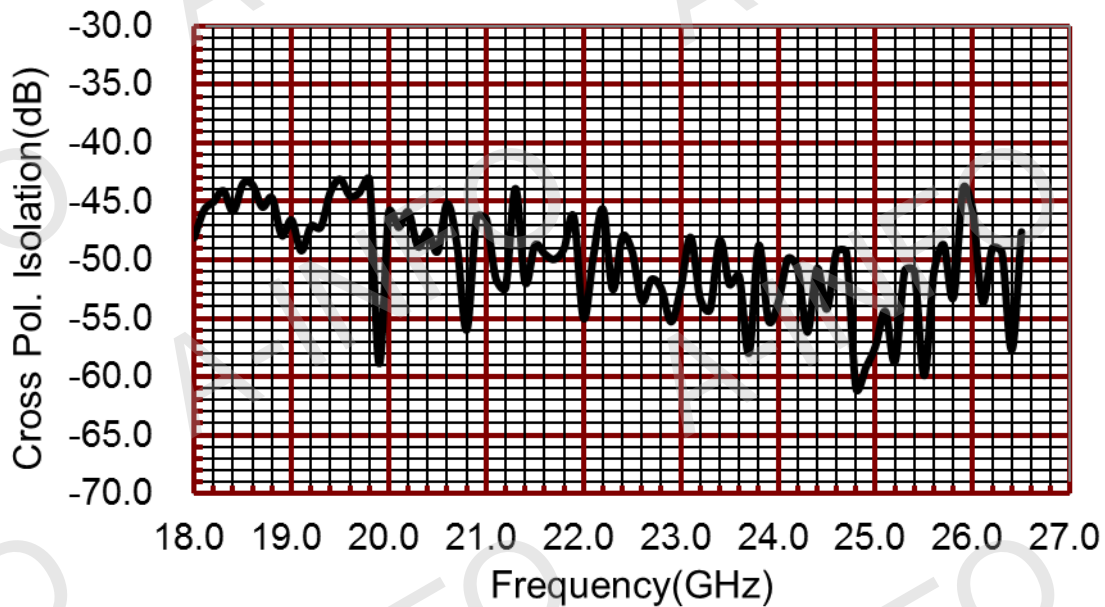
## Test Results

### 1. Gain and Antenna Factor

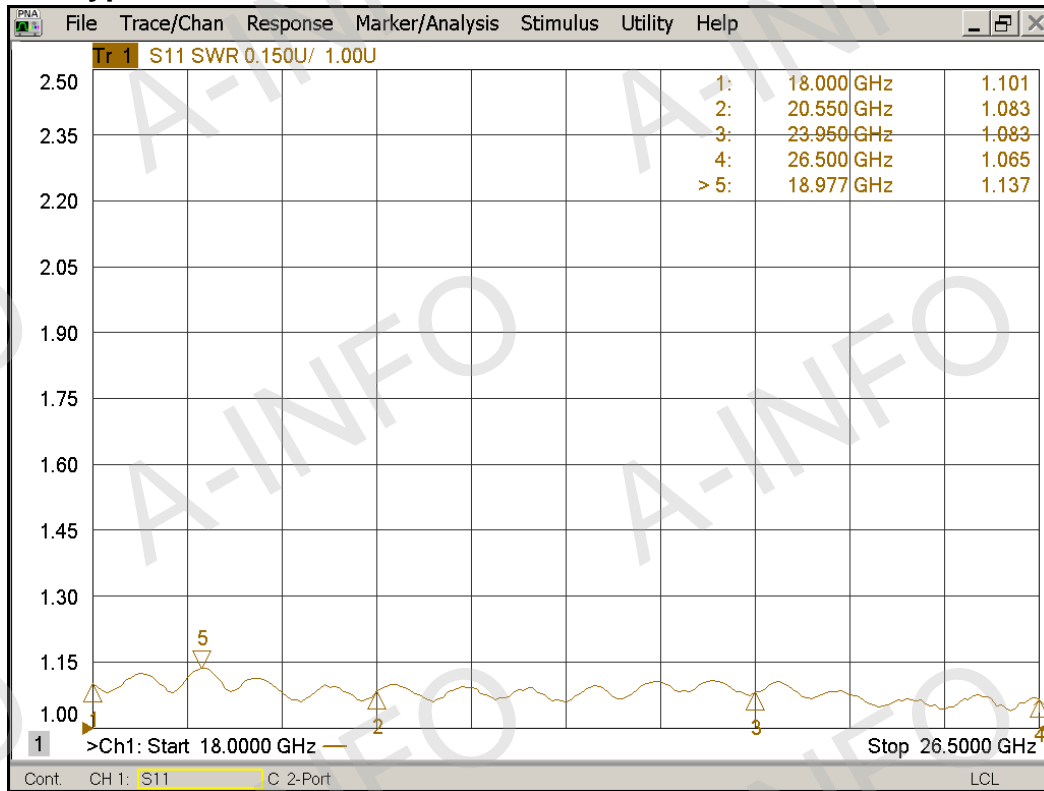


Frequency(GHz)	Gain(dBi)	Antenna Factor(dB/m)
18.00	23.70	31.62
18.50	23.87	31.68
19.00	24.16	31.63
19.50	24.31	31.70
20.00	24.42	31.81
20.50	24.53	31.92
21.00	24.84	31.81
21.50	24.83	32.03
22.00	25.00	32.06
22.50	25.12	32.13
23.00	25.24	32.20
23.50	25.35	32.28
24.00	25.50	32.31
24.50	25.56	32.43
25.00	25.76	32.41
25.50	25.79	32.55
26.00	25.85	32.66
26.50	26.00	32.67

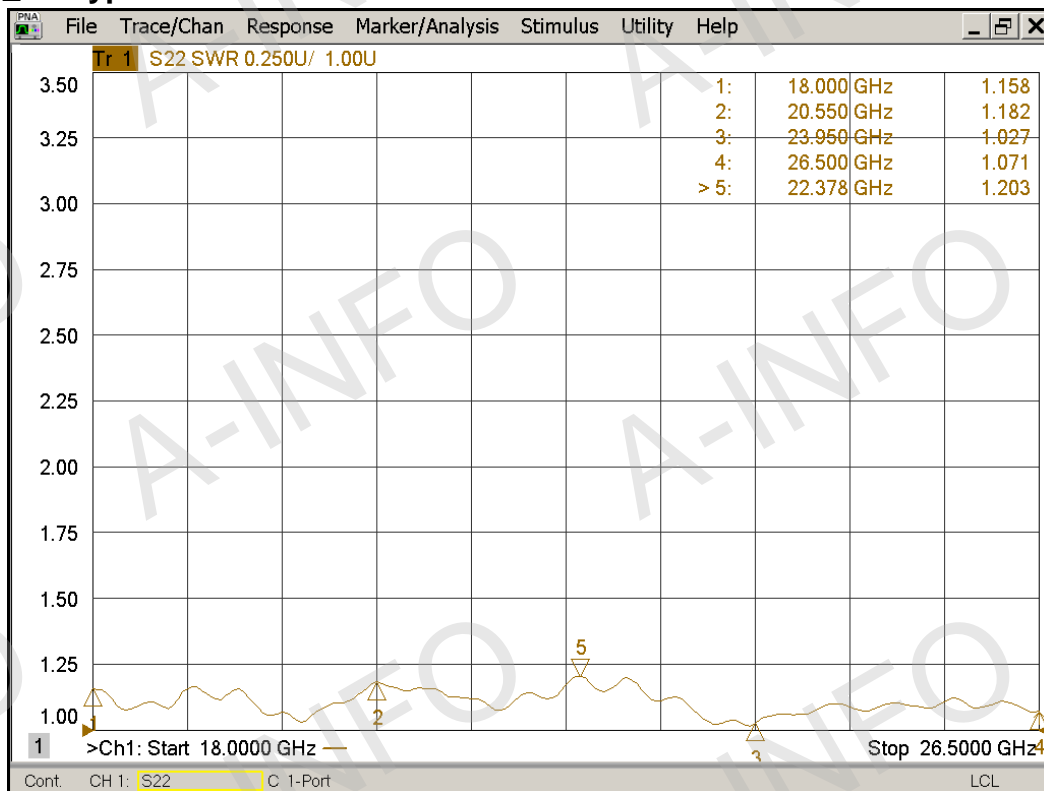
## 2. Cross Polarization Isolation



### 3. VSWR\_A2 Type



### VSWR\_C2 Type



## 4. Pattern

