

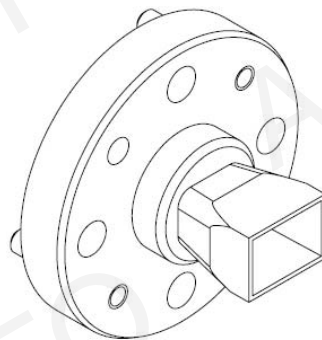
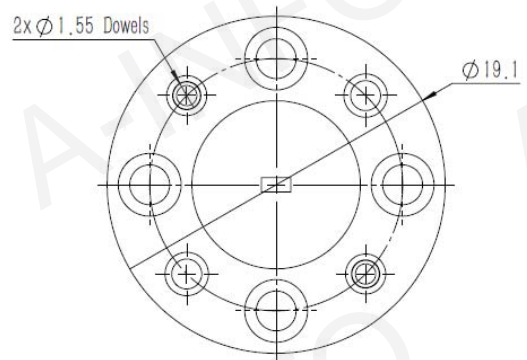
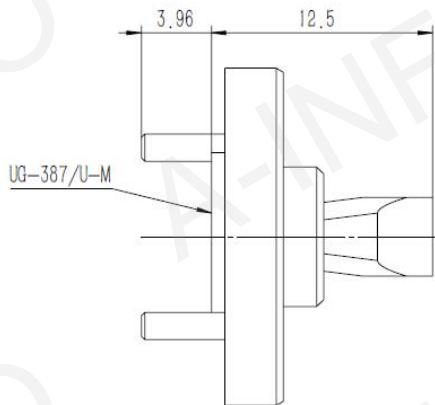
Technical Specification



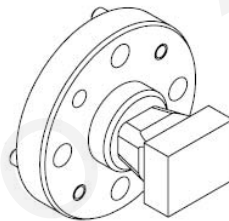
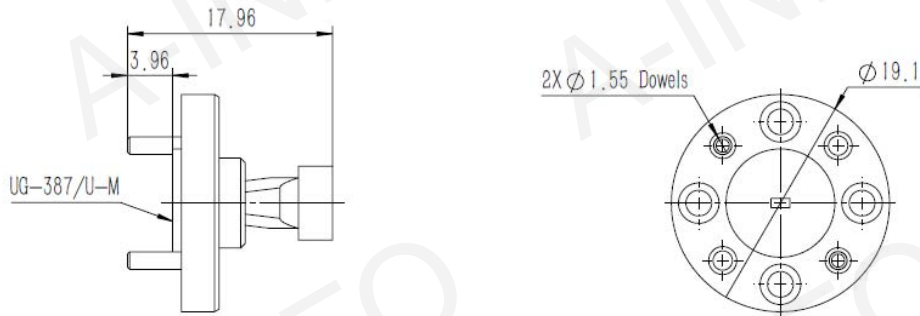
Frequency Range(GHz)	110.0 - 170.0
Waveguide	WR6
Gain(dBi)	15 Typ.
Polarization	Linear
3dB Beamwidth(deg)	28 Typ.
Cross Pol. Isolation(dB)	35 Typ.
VSWR	1.15:1 Typ.
Output	UG-387/U-M
Material	Cu
Size(mm)	19.1 x 19.1 x 12.5
Net Weight(Kg)	0.01 Around

Outline Drawing (Size: mm)

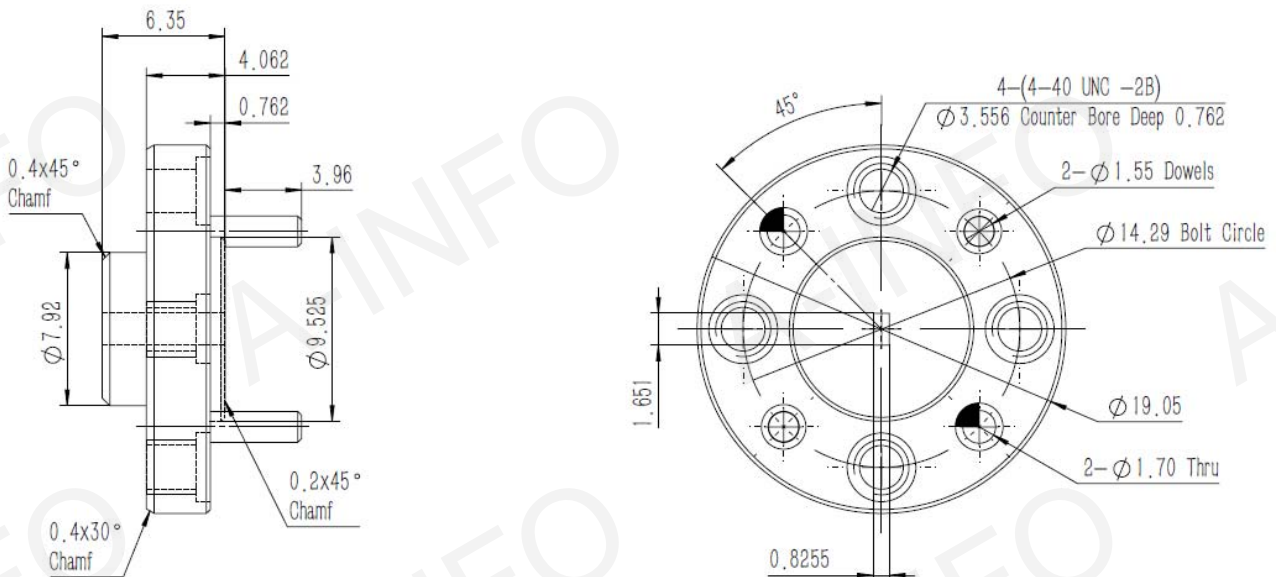
A Type (With UG-387/U-M Output)



A Type(With Radome)



Flange Drawing (Size: mm)



UG-387/U-M

AINFO Inc.

Page 2 of 5

China(Beijing):
China(Chengdu):
USA :

Tel: (+86) 10-6266-7326,
Tel: (+86) 28-8519-2786,
Tel: (+1) 949-639-9688,

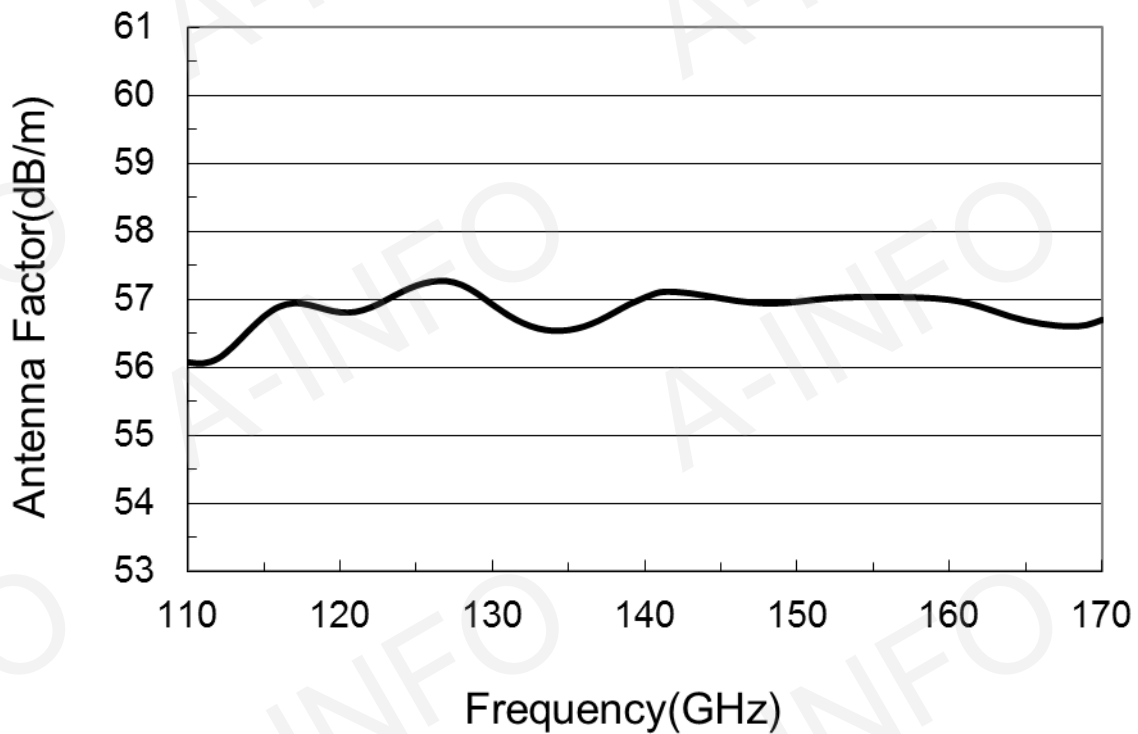
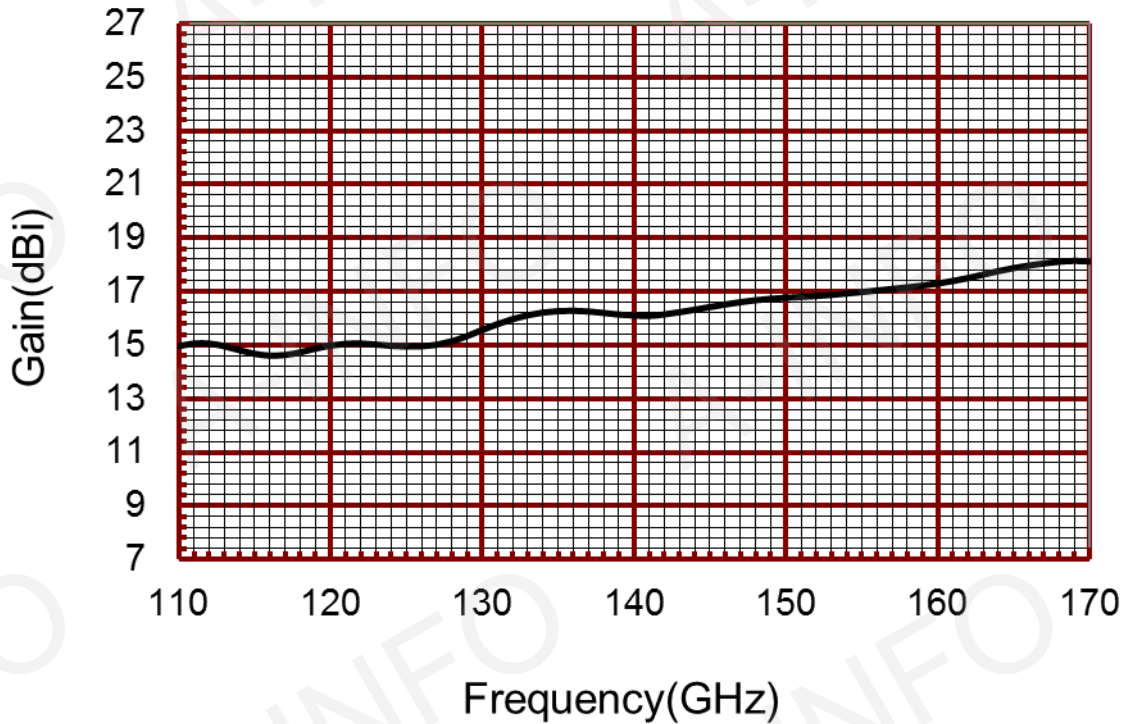
(+86) 10-6266-7327
(+86) 28-8519-3044
(+1) 949-639-9608

Fax: (+86) 10-6266-7379
Fax: (+86) 28-8519-3068
Fax: (+1) 949-639-9670

Website: www.ainfoinc.com
Email: sales@ainfoinc.com

Test Results

1. Gain & Antenna Factor



Frequency (GHz)	Gain (dBi)	Antenna Factor (dB/m)
110	14.96	56.08
111	15.06	56.06
112	15.06	56.13
113	14.96	56.31
114	14.81	56.54
115	14.68	56.75
116	14.61	56.89
117	14.63	56.94
118	14.73	56.92
119	14.87	56.85
120	14.98	56.81
121	15.05	56.81
122	15.06	56.88
123	15.02	56.99
124	14.97	57.10
125	14.95	57.20
126	14.96	57.26
127	15.02	57.27
128	15.14	57.21
129	15.34	57.08
130	15.57	56.92
131	15.78	56.77
132	15.97	56.65
133	16.12	56.57
134	16.21	56.54
135	16.27	56.55
136	16.28	56.60
137	16.26	56.69
138	16.20	56.81
139	16.14	56.93
140	16.11	57.03

Frequency (GHz)	Gain (dBi)	Antenna Factor (dB/m)
141	16.09	57.10
142	16.15	57.11
143	16.23	57.09
144	16.32	57.05
145	16.42	57.01
146	16.52	56.98
147	16.60	56.95
148	16.68	56.94
149	16.73	56.94
150	16.77	56.96
151	16.80	56.99
152	16.83	57.01
153	16.88	57.03
154	16.93	57.03
155	16.98	57.04
156	17.04	57.03
157	17.10	57.03
158	17.16	57.03
159	17.22	57.01
160	17.30	56.99
161	17.39	56.95
162	17.51	56.90
163	17.63	56.82
164	17.76	56.75
165	17.87	56.69
166	17.97	56.64
167	18.05	56.61
168	18.11	56.60
169	18.14	56.62
170	18.12	56.70

2. Pattern

