

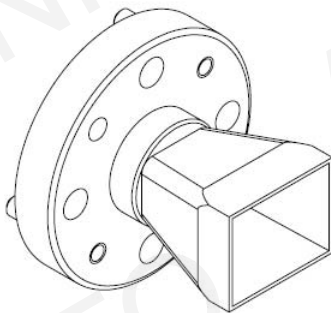
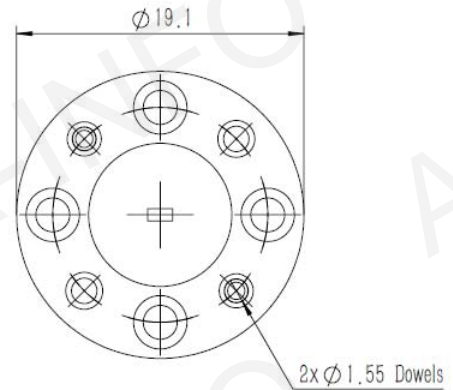
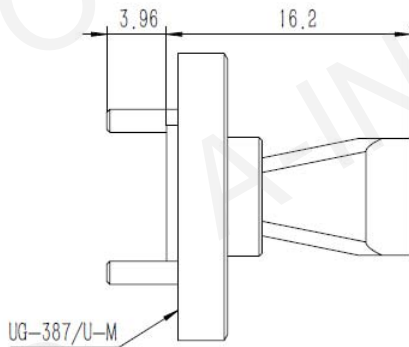
## Technical Specification



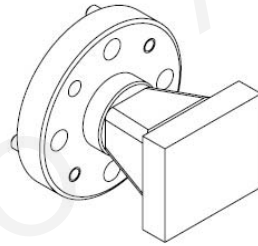
Frequency Range(GHz)	110.0 - 170.0
Waveguide	WR6
Gain(dBi)	20 Typ.
Polarization	Linear
3dB Beamwidth(deg)	15 Typ.
Cross Pol. Isolation(dB)	35 Typ.
VSWR	1.15:1 Typ.
Output	UG-387/U-M
Material	Cu
Size(mm)	19.1 x 19.1 x 16.2
Net Weight(Kg)	0.01 Around

## Outline Drawing (Size: mm)

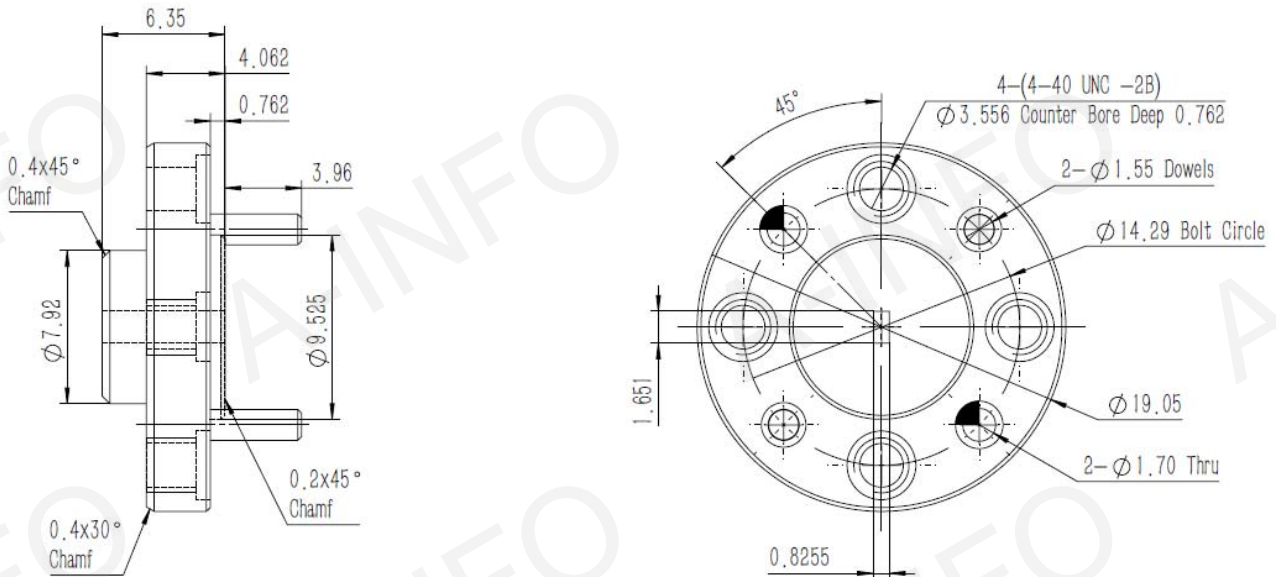
A Type (With UG-387/U-M Output)



## A Type(With Radome)



## Flange Drawing (Size: mm)



UG-387/U-M

AINFO Inc.

Page 2 of 5

China(Beijing):  
China(Chengdu):  
USA :

Tel: (+86) 10-6266-7326,  
Tel: (+86) 28-8519-2786,  
Tel: (+1) 949-639-9688,

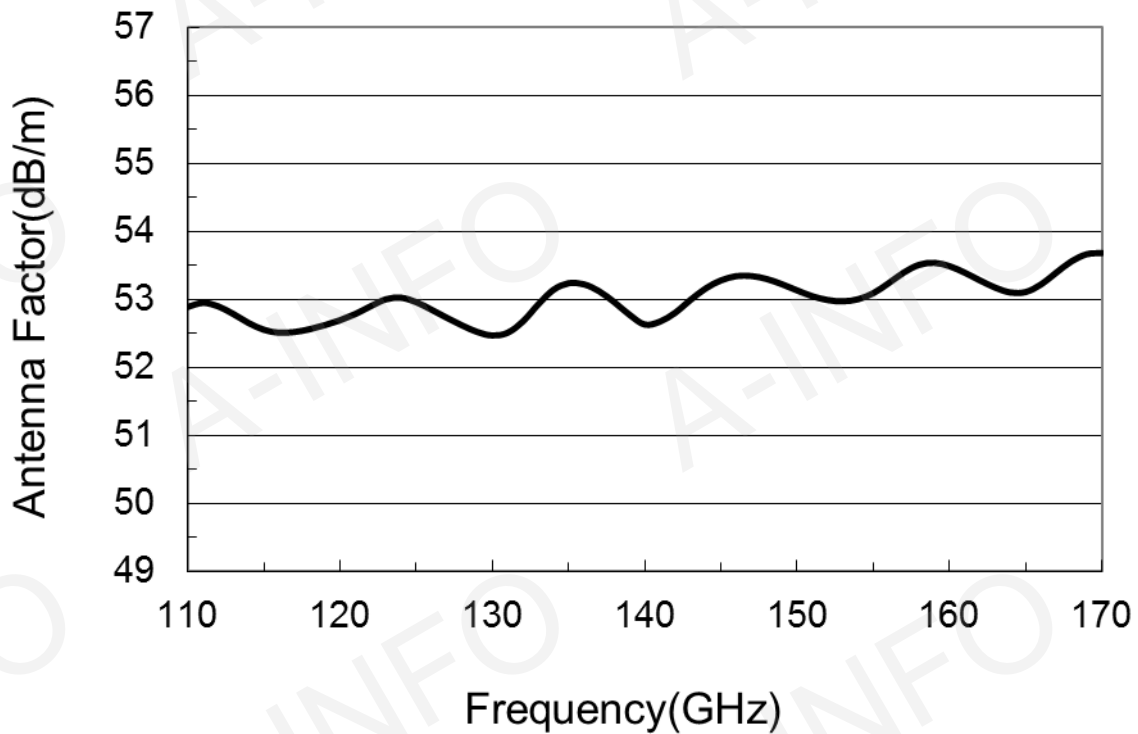
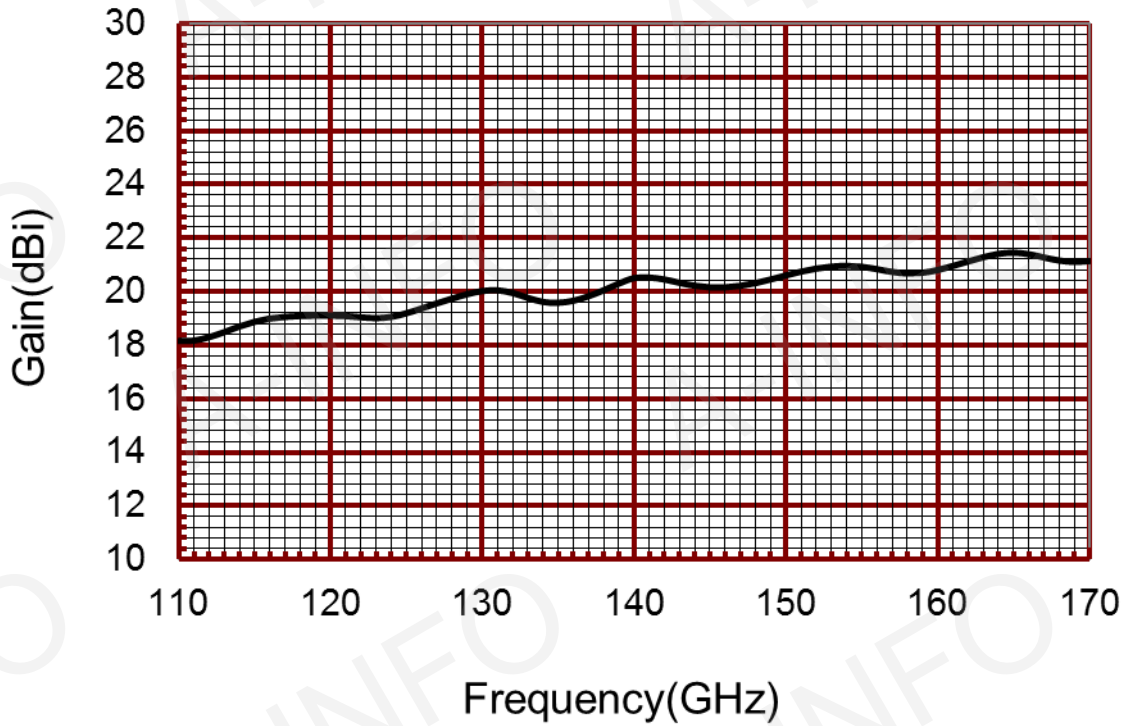
(+86) 10-6266-7327  
(+86) 28-8519-3044  
(+1) 949-639-9608

Fax: (+86) 10-6266-7379  
Fax: (+86) 28-8519-3068  
Fax: (+1) 949-639-9670

Website: [www.ainfoinc.com](http://www.ainfoinc.com)  
Email: [sales@ainfoinc.com](mailto:sales@ainfoinc.com)

## Test Results

### 1. Gain & Antenna Factor



Frequency (GHz)	Gain (dBi)	Antenna Factor (dB/m)
110	18.15	52.89
111	18.17	52.95
112	18.30	52.90
113	18.49	52.78
114	18.70	52.65
115	18.87	52.55
116	18.99	52.51
117	19.05	52.52
118	19.09	52.56
119	19.10	52.62
120	19.10	52.69
121	19.08	52.78
122	19.04	52.90
123	19.01	53.00
124	19.05	53.03
125	19.19	52.96
126	19.37	52.85
127	19.56	52.73
128	19.74	52.62
129	19.90	52.52
130	20.02	52.47
131	20.05	52.51
132	19.95	52.68
133	19.76	52.92
134	19.61	53.14
135	19.58	53.24
136	19.66	53.22
137	19.82	53.12
138	20.05	52.96
139	20.30	52.77
140	20.50	52.63

Frequency (GHz)	Gain (dBi)	Antenna Factor (dB/m)
141	20.52	52.67
142	20.45	52.80
143	20.32	52.99
144	20.22	53.16
145	20.16	53.28
146	20.16	53.34
147	20.21	53.34
148	20.32	53.30
149	20.45	53.22
150	20.60	53.13
151	20.74	53.05
152	20.86	52.99
153	20.93	52.97
154	20.96	53.00
155	20.93	53.09
156	20.84	53.24
157	20.73	53.39
158	20.68	53.51
159	20.70	53.54
160	20.80	53.49
161	20.95	53.39
162	21.12	53.28
163	21.28	53.17
164	21.41	53.10
165	21.45	53.11
166	21.39	53.22
167	21.27	53.39
168	21.16	53.56
169	21.10	53.66
170	21.14	53.68

## 2. Pattern

