

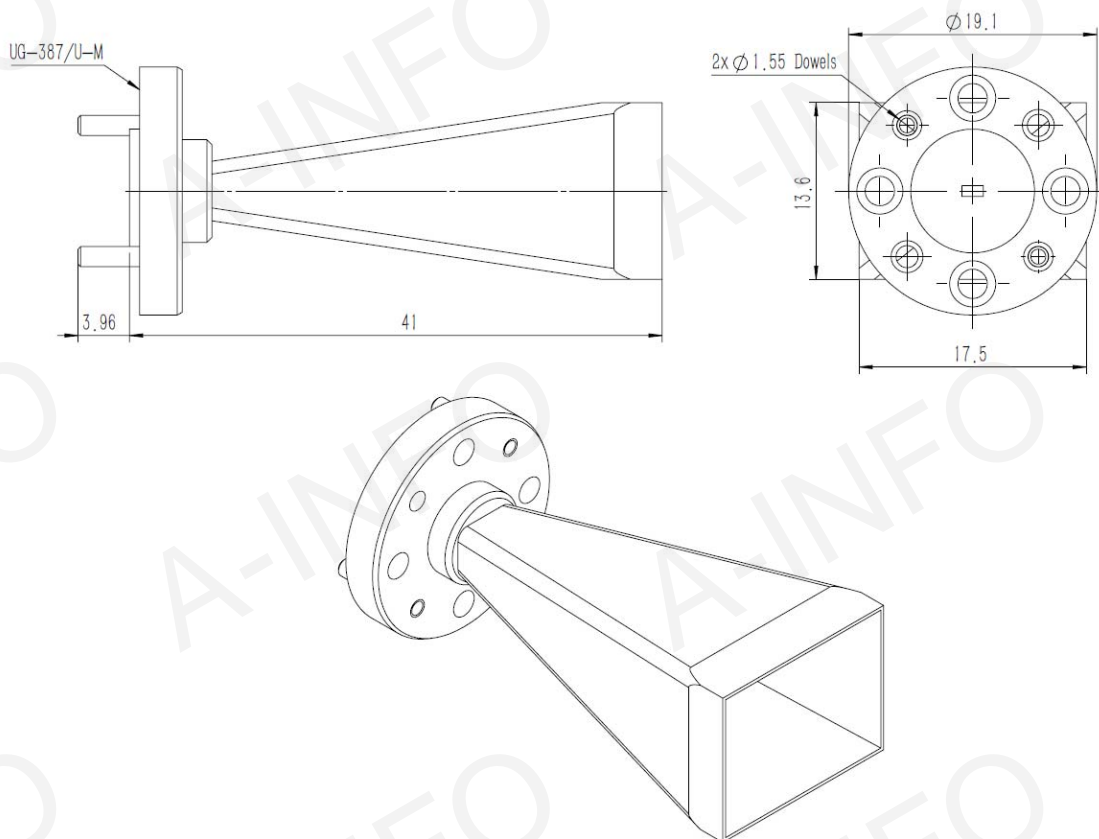
## Technical Specification



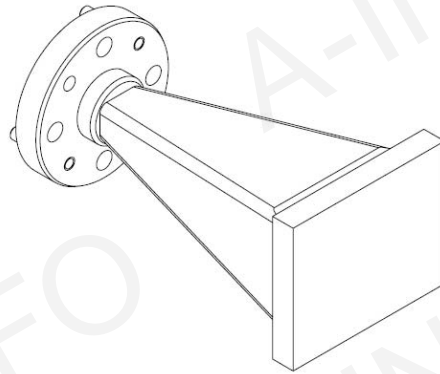
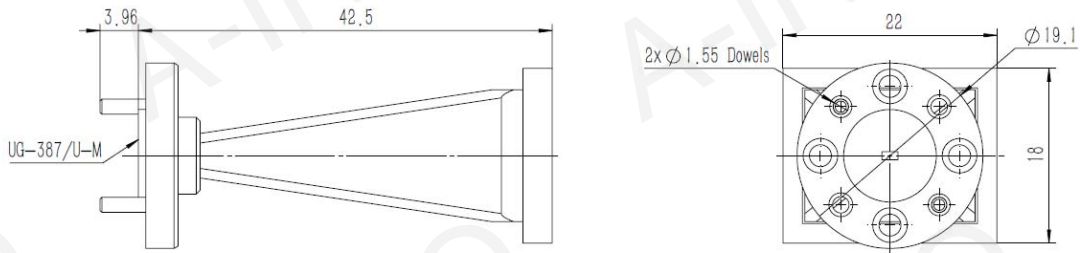
Frequency Range(GHz)	110.0 - 170.0
Waveguide	WR6
Gain(dBi)	25 Typ.
Polarization	Linear
3dB Beamwidth(deg)	9 Typ.
Cross Pol. Isolation(dB)	35 Typ.
VSWR	1.15:1 Typ.
Output	UG-387/U-M
Material	Cu
Size(mm)	19.1 x 19.1 x 41
Net Weight(Kg)	0.02 Around

## Outline Drawing (Size: mm)

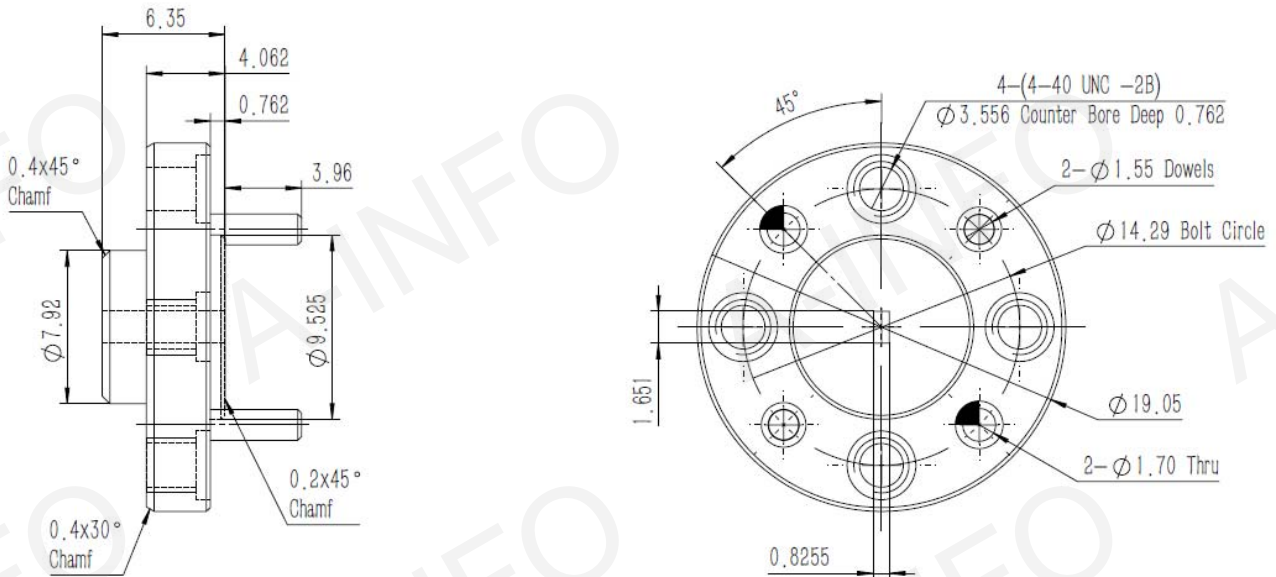
A Type (With UG-387/U-M Output)



## A Type(With Radome)



## Flange Drawing (Size: mm)



UG-387/U-M

AINFO Inc.

Page 2 of 6

China(Beijing):  
China(Chengdu):  
USA :

Tel: (+86) 10-6266-7326,  
Tel: (+86) 28-8519-2786,  
Tel: (+1) 949-639-9688,

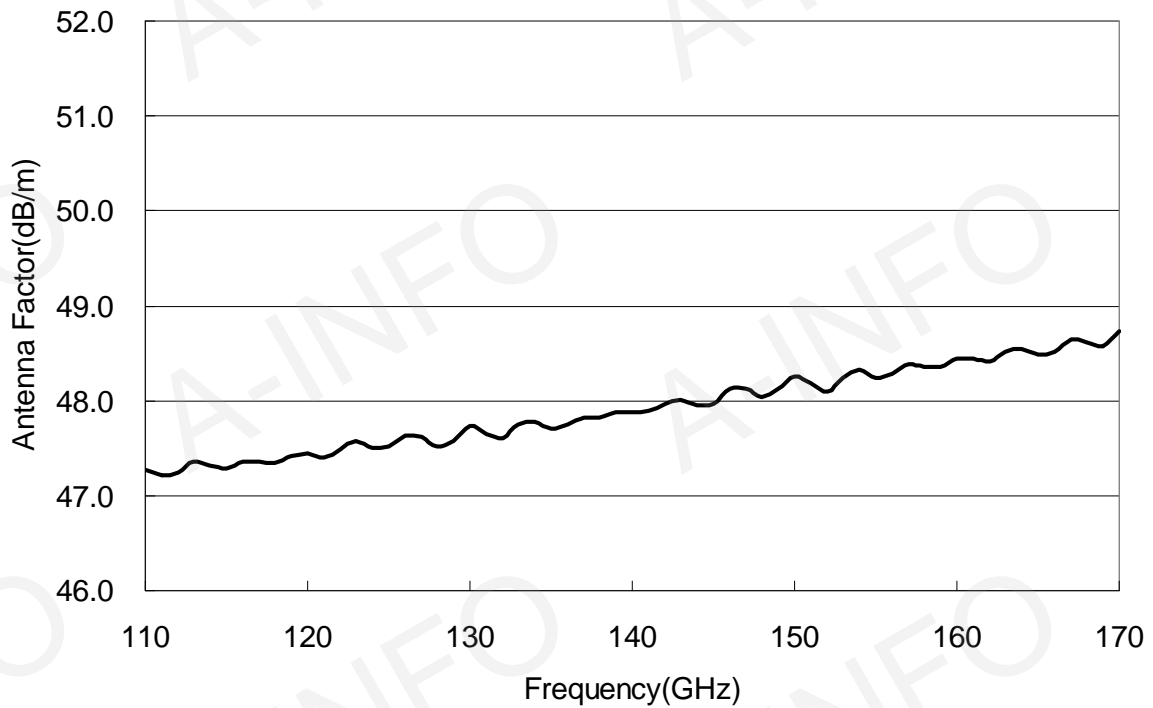
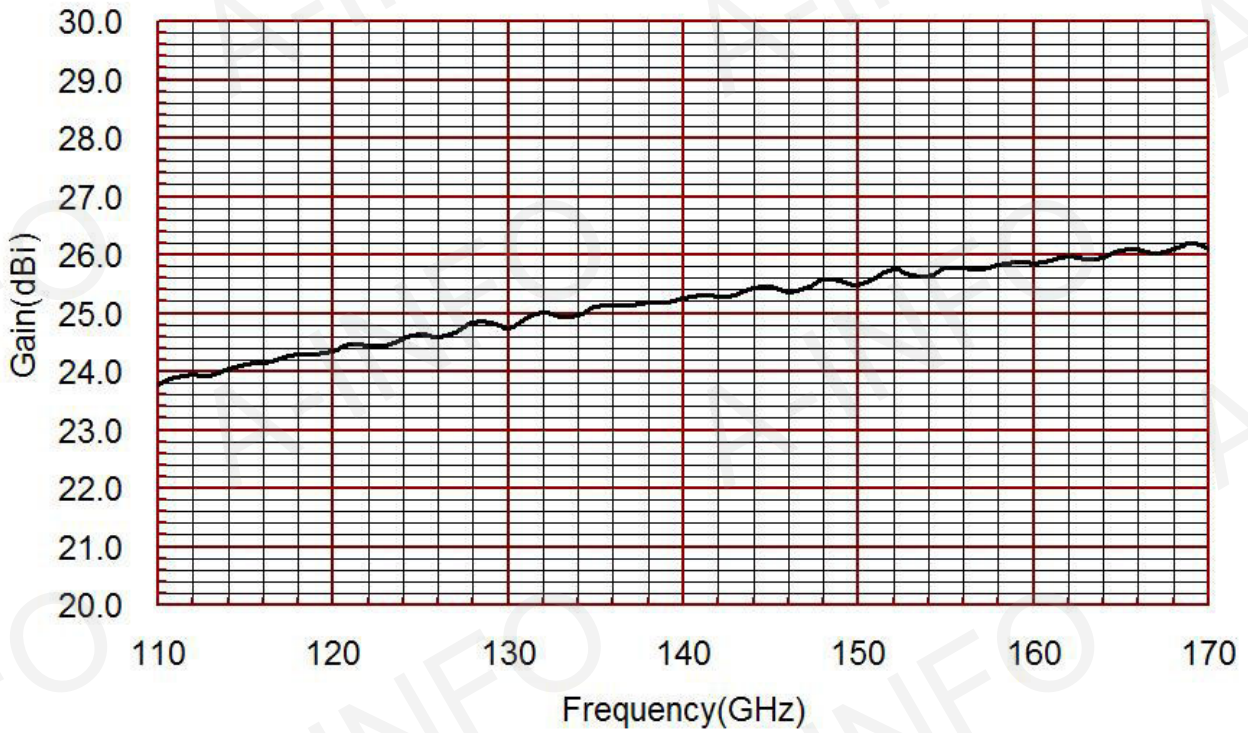
(+86) 10-6266-7327  
(+86) 28-8519-3044  
(+1) 949-639-9608

Fax: (+86) 10-6266-7379  
Fax: (+86) 28-8519-3068  
Fax: (+1) 949-639-9670

Website: [www.ainfoinc.com](http://www.ainfoinc.com)  
Email: [sales@ainfoinc.com](mailto:sales@ainfoinc.com)

## Test Results

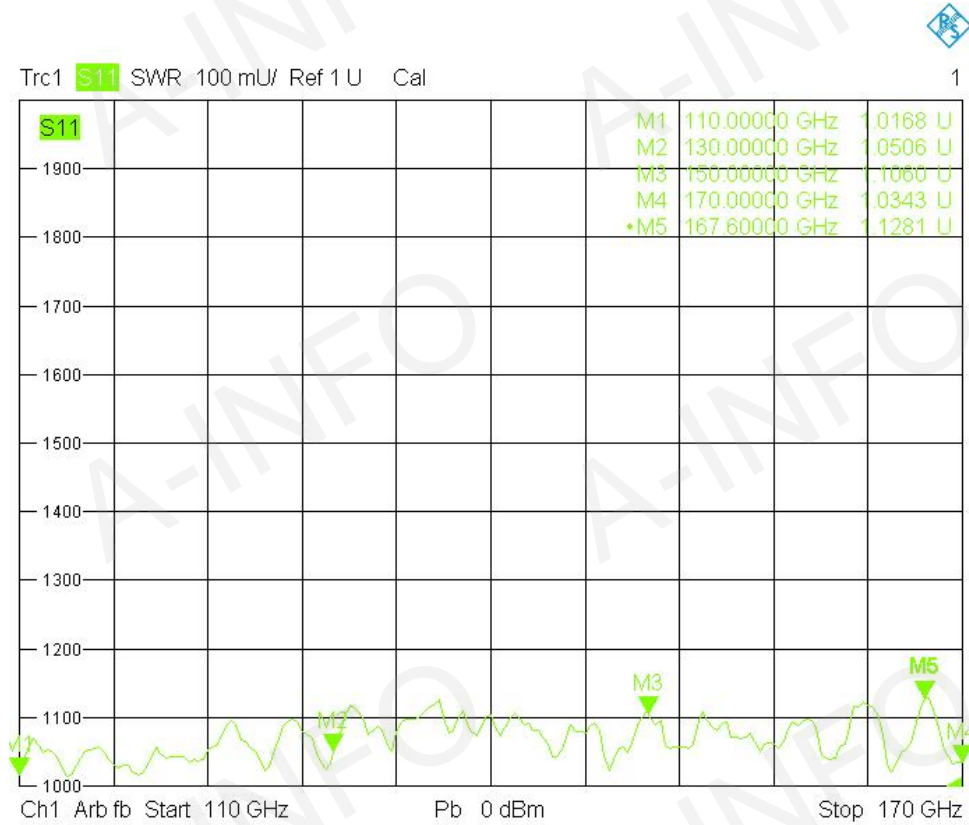
### 1. Gain & Antenna Factor



Frequency (GHz)	Gain (dBi)	Antenna Factor (dB/m)
110	23.77	47.27
111	23.90	47.21
112	23.94	47.25
113	23.92	47.35
114	24.04	47.31
115	24.13	47.29
116	24.15	47.35
117	24.21	47.36
118	24.30	47.35
119	24.30	47.42
120	24.35	47.45
121	24.46	47.41
122	24.45	47.49
123	24.44	47.57
124	24.58	47.50
125	24.63	47.52
126	24.59	47.63
127	24.67	47.62
128	24.84	47.51
129	24.84	47.58
130	24.75	47.74
131	24.91	47.65
132	25.02	47.60
133	24.94	47.74
134	24.97	47.78
135	25.11	47.71
136	25.13	47.75
137	25.13	47.81
138	25.19	47.82
139	25.19	47.88
140	25.26	47.87

Frequency (GHz)	Gain (dBi)	Antenna Factor (dB/m)
141	25.30	47.90
142	25.29	47.96
143	25.31	48.01
144	25.42	47.96
145	25.46	47.97
146	25.37	48.13
147	25.43	48.13
148	25.58	48.04
149	25.55	48.13
150	25.48	48.26
151	25.61	48.18
152	25.75	48.10
153	25.66	48.25
154	25.63	48.33
155	25.78	48.23
156	25.79	48.29
157	25.74	48.39
158	25.83	48.36
159	25.88	48.36
160	25.84	48.45
161	25.91	48.44
162	25.98	48.42
163	25.93	48.52
164	25.96	48.55
165	26.08	48.48
166	26.10	48.52
167	26.01	48.65
168	26.10	48.62
169	26.19	48.58
170	26.09	48.73

## 2. VSWR



## 3. Pattern

