

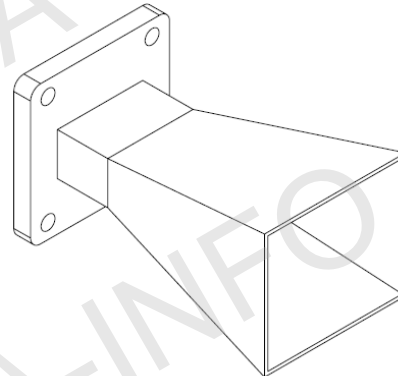
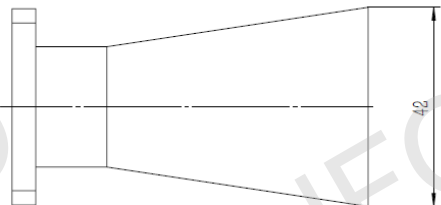
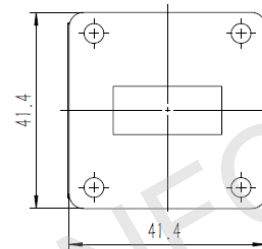
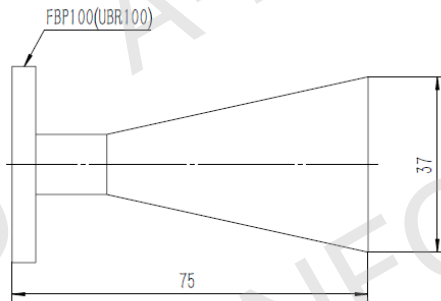
Technical Specification



Frequency Range(GHz)	8.2 – 12.4	
Waveguide	WR90	
Gain(dBi)	10 Typ.	
Polarization	Linear	
3dB Beamwidth(deg)	55 Typ.	
Cross Pol. Isolation(dB)	30 Typ.	
VSWR	A Type:	1.15:1 Typ.
	C Type:	1.25:1 Typ.
Output	A Type:	FBP100(UBR100)
	C Type:	N/ SMA/3.5mm/TNC/7mm
Material	Al	
Size(mm)	A Type:	42 x 41.4 x 75
	C Type:	42 x 49.6 x 113
Net Weight(Kg)	A Type:	0.05 Around
	C Type:	0.10 Around

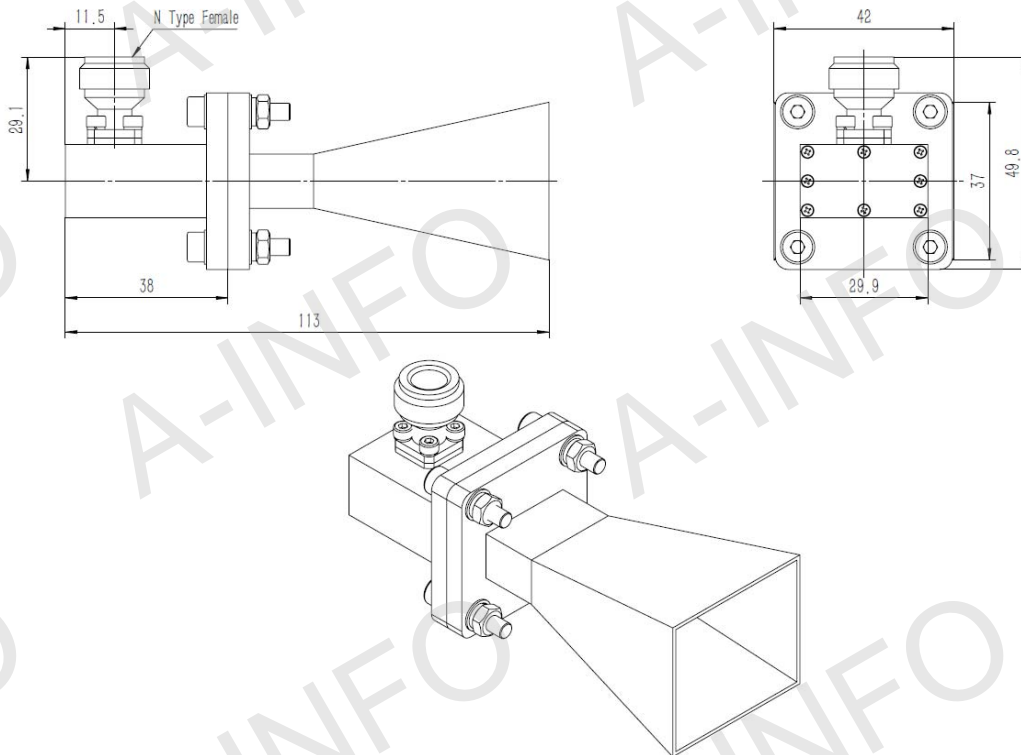
Outline Drawing (Size: mm)

A Type (With FBP100 Output)



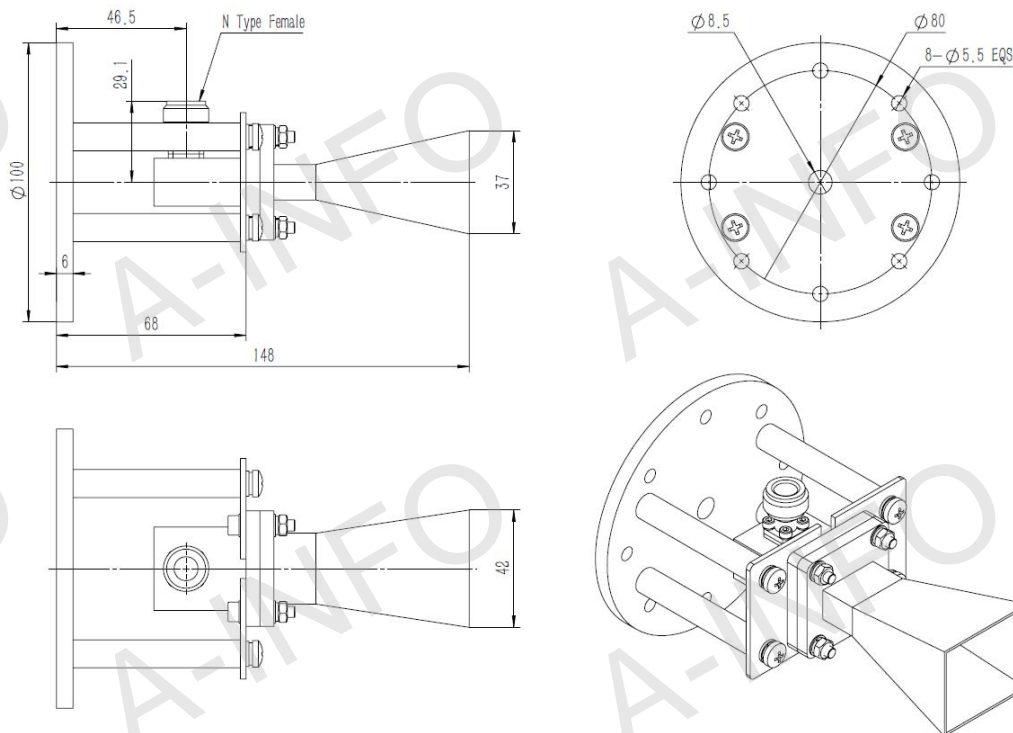
C Type (With N-Female Output)

For SMA-Female, 3.5mm-Female, TNC-Female or 7mm-Female output outline drawing, please contact A-INFO.



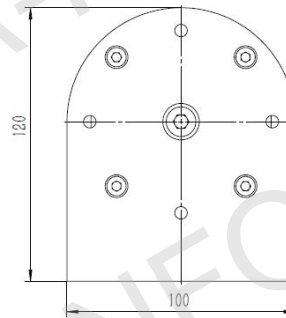
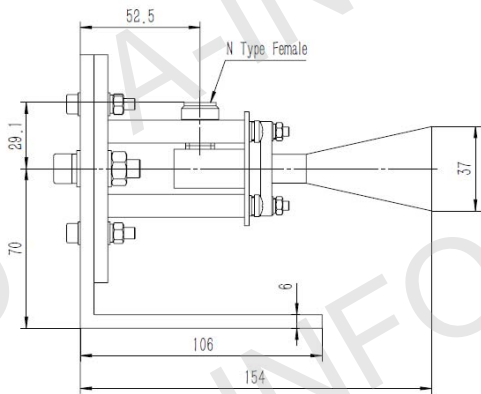
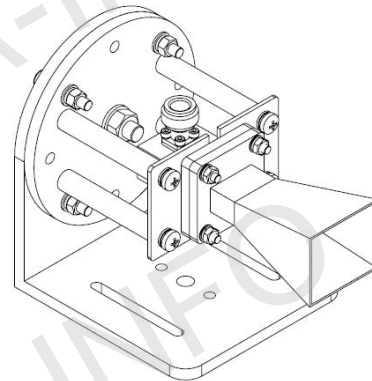
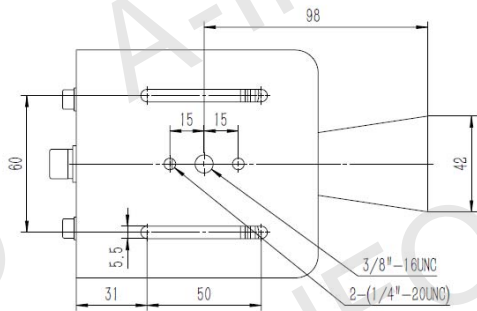
C Type (With N-Female Output & Round Mounting Bracket)

For SMA-Female, 3.5mm-Female, TNC-Female or 7mm-Female output outline drawing, please contact A-INFO.

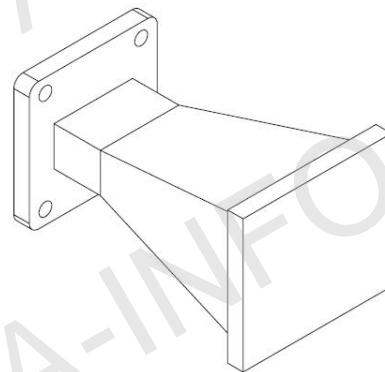
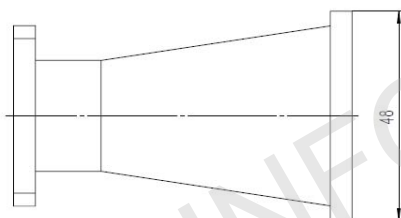
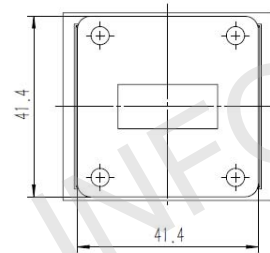
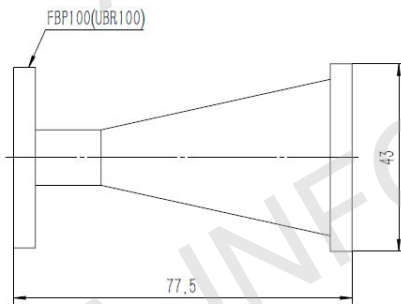


C Type (With N-Female Output & L Type Mounting Bracket)

For SMA-Female, 3.5mm-Female, TNC-Female or 7mm-Female output outline drawing, please contact A-INFO.

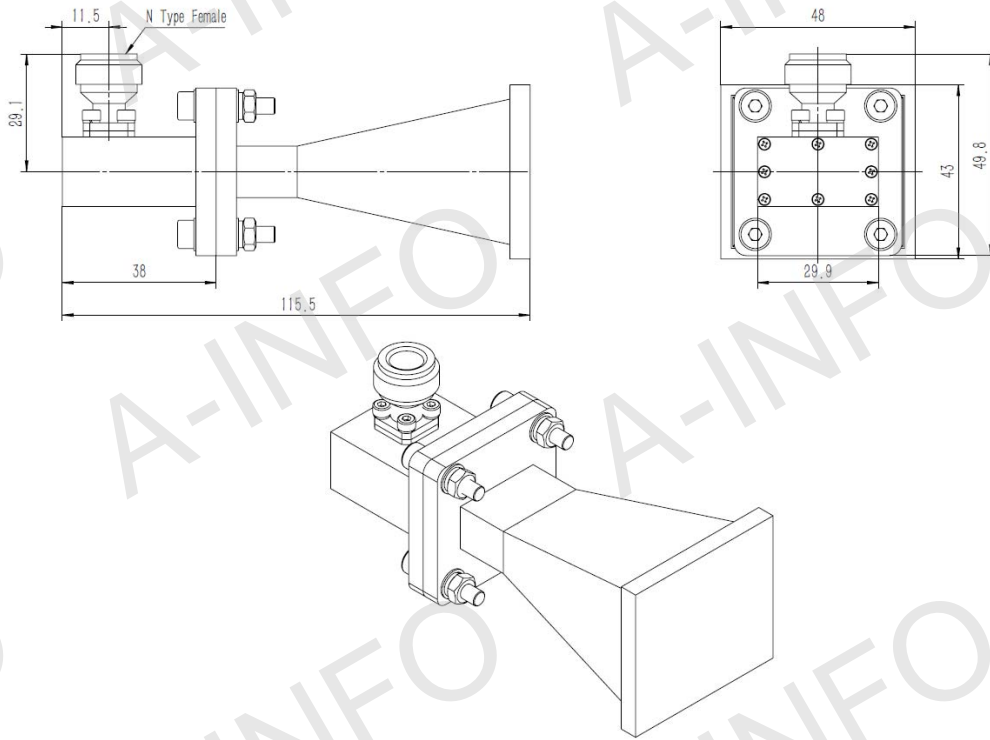


A Type (With Radome)



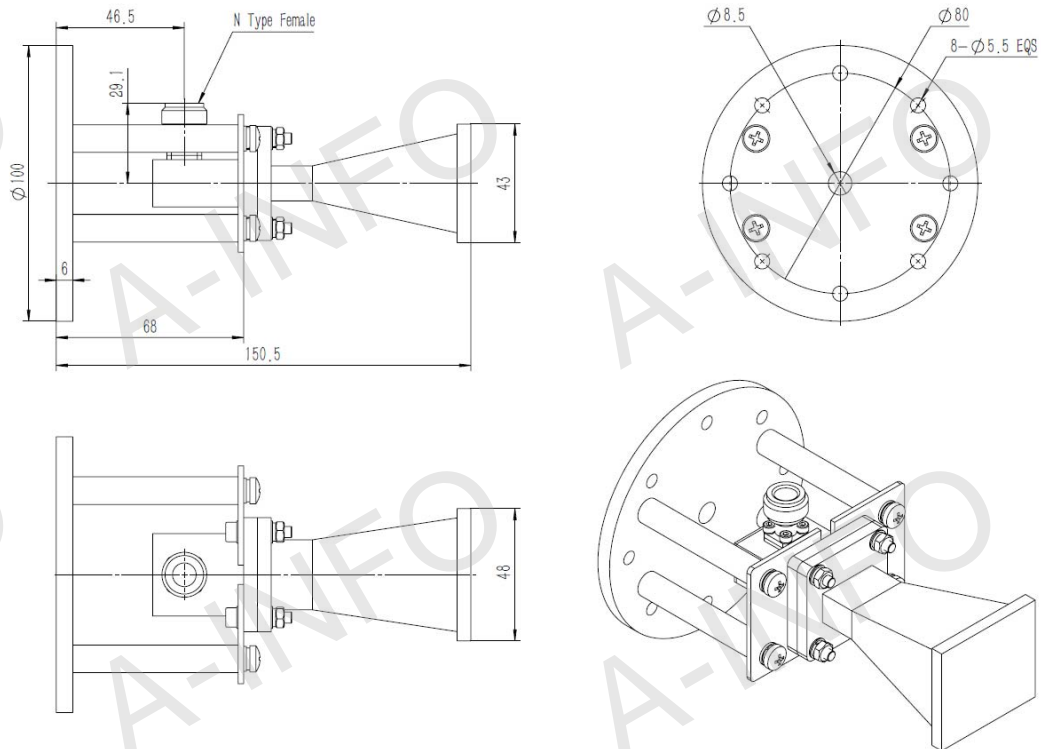
C Type (With N-Female Output & Radome)

For SMA-Female, 3.5mm-Female, TNC-Female or 7mm-Female output outline drawing, please contact A-INFO.



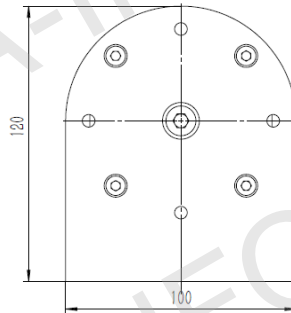
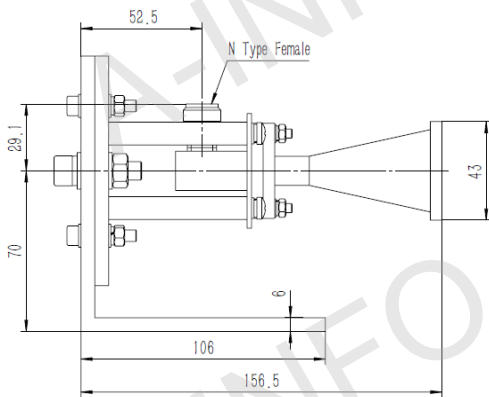
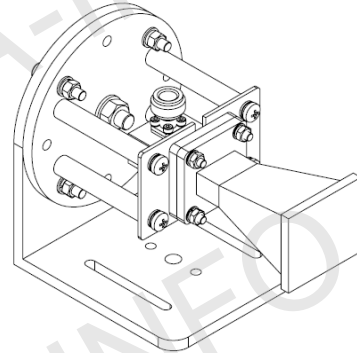
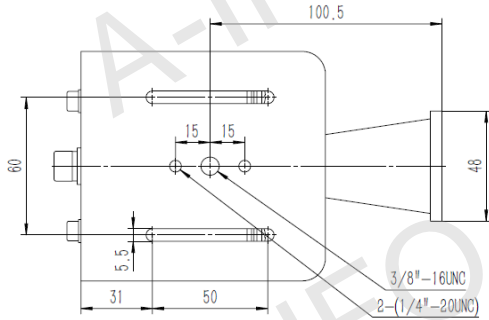
C Type (With N-Female Output & Round Mounting Bracket & Radome)

For SMA-Female, 3.5mm-Female, TNC-Female or 7mm-Female output outline drawing, please contact A-INFO.

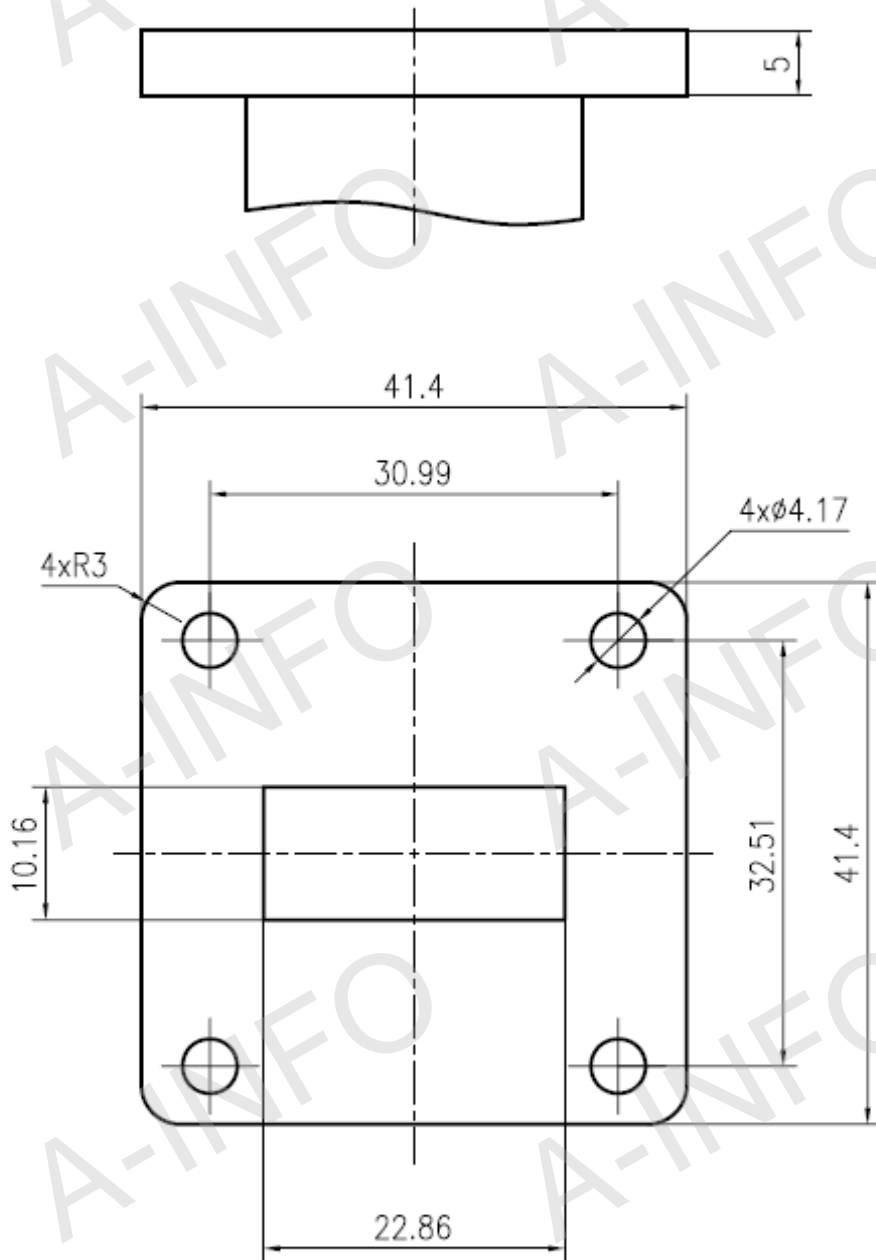


C Type (With N-Female Output & L Type Mounting Bracket & Radome)

For SMA-Female, 3.5mm-Female, TNC-Female or 7mm-Female output outline drawing, please contact A-INFO.



Flange Drawing (Size: mm)



FBP100

AINFO Inc.

China(Beijing):
China(Chengdu):
USA :

Tel: (+86) 10-6266-7326,
Tel: (+86) 28-8519-2786,
Tel: (+1) 949-639-9688,

(+86) 10-6266-7327
(+86) 28-8519-3044
(+1) 949-639-9608

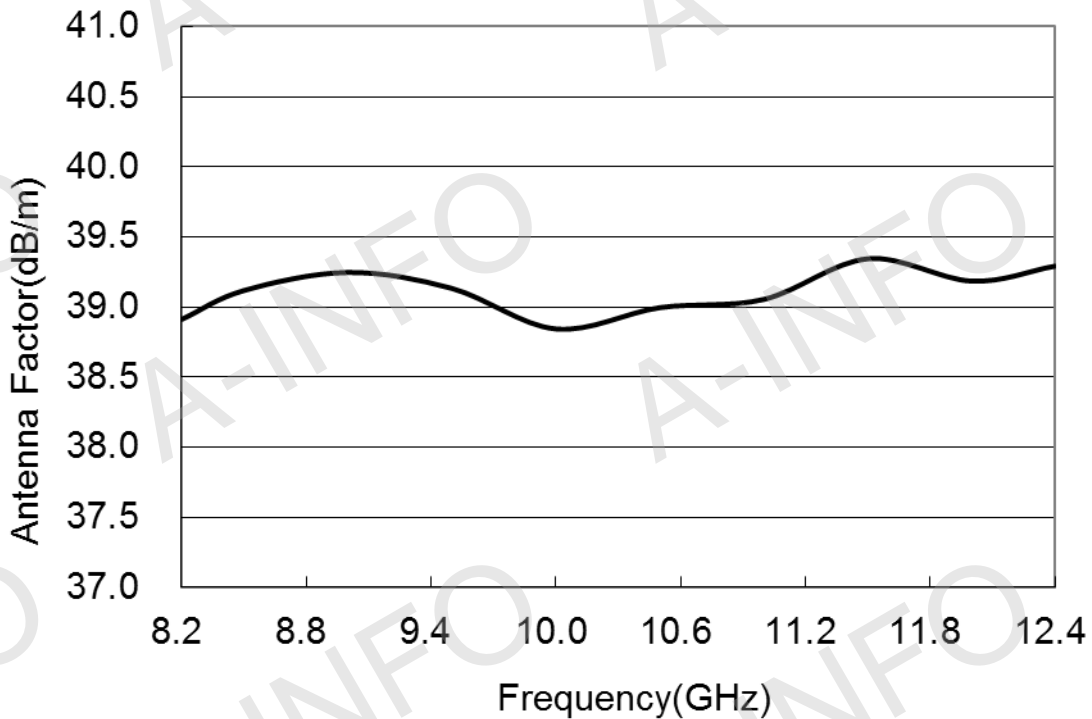
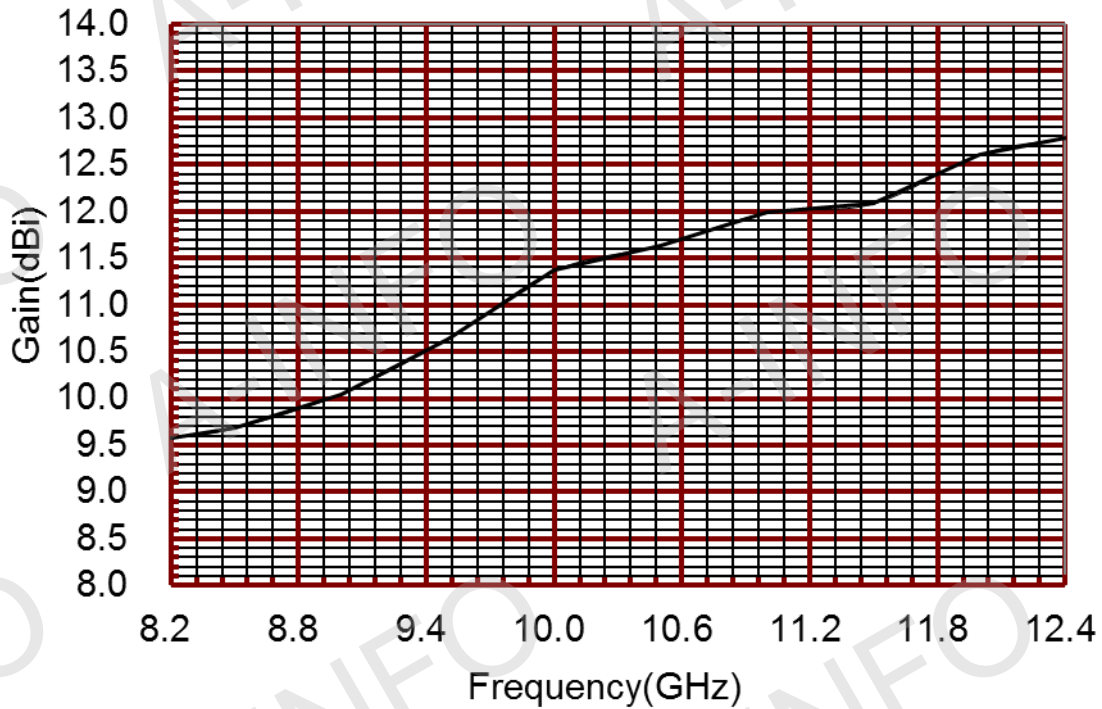
Fax: (+86) 10-6266-7379
Fax: (+86) 28-8519-3068
Fax: (+1) 949-639-9670

Page 6 of 11

Website: www.ainfoinc.com
Email: sales@ainfoinc.com

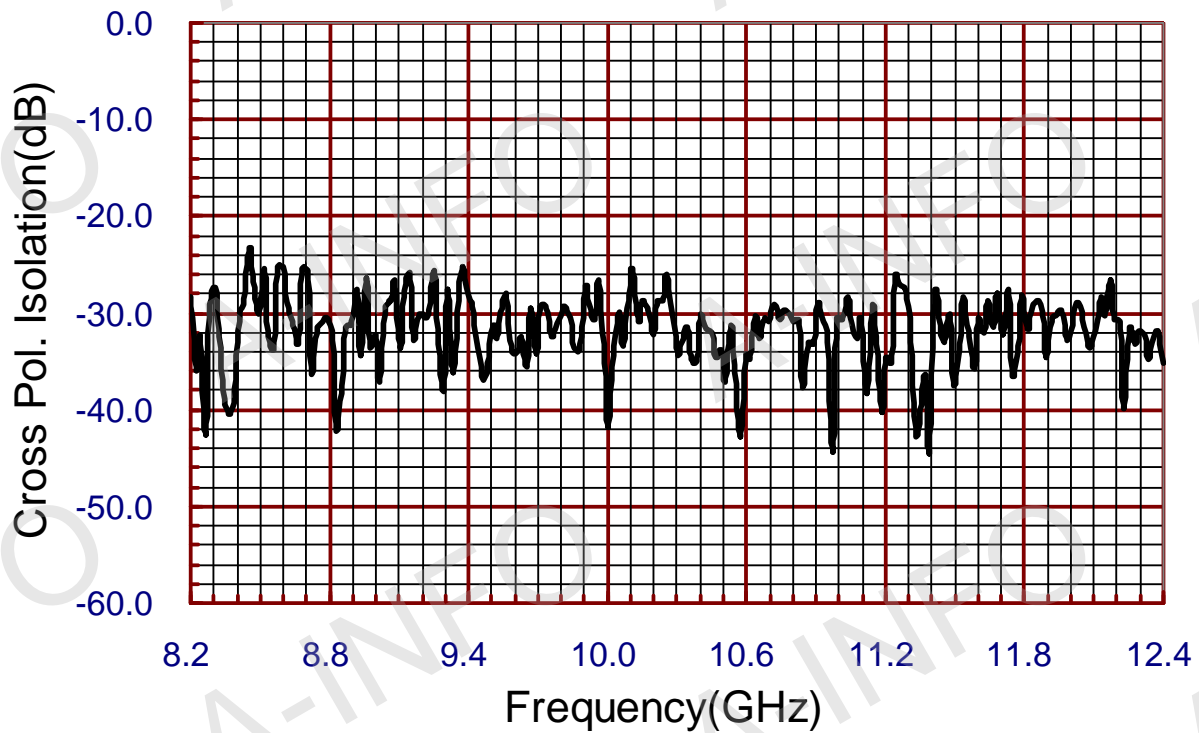
Test Results

1. Gain and Antenna Factor

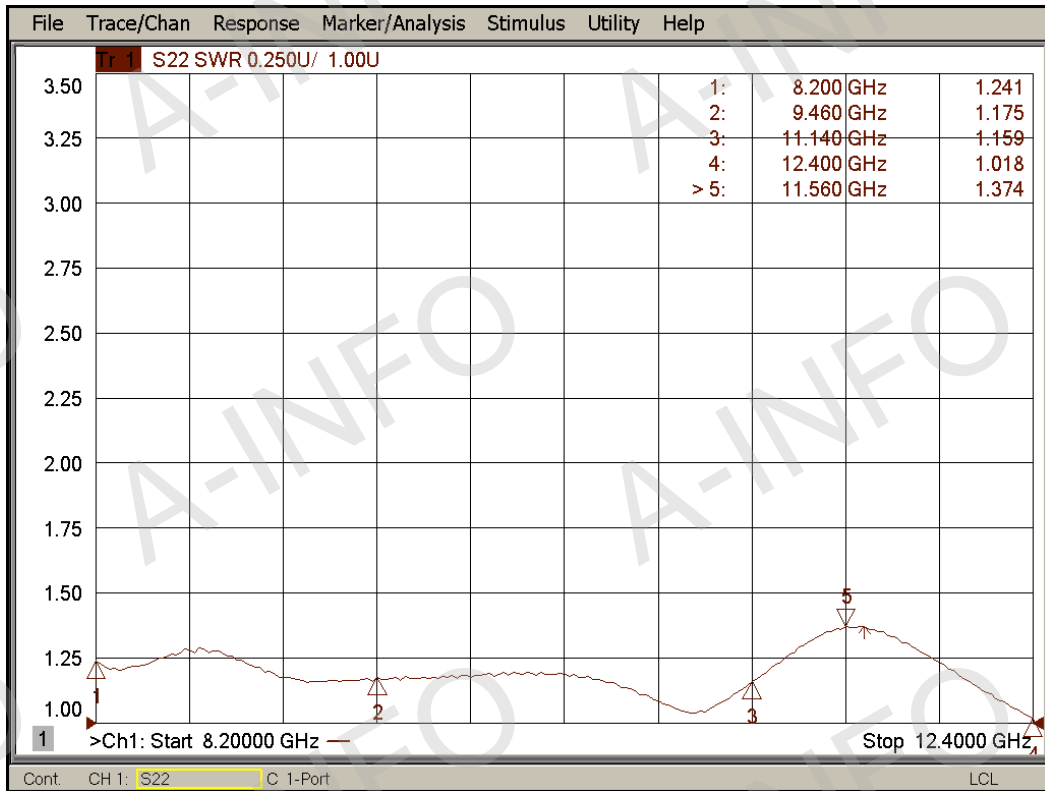


Frequency(GHz)	Gain(dB)	Antenna Factor(dB/m)
8.2	9.57	38.91
8.5	9.68	39.12
9.0	10.05	39.25
9.5	10.63	39.13
10.0	11.37	38.84
10.5	11.64	39.00
11.0	11.98	39.05
11.5	12.08	39.34
12.0	12.61	39.18
12.4	12.79	39.29

2. Cross Polarization Isolation



3. VSWR



4. Pattern

