

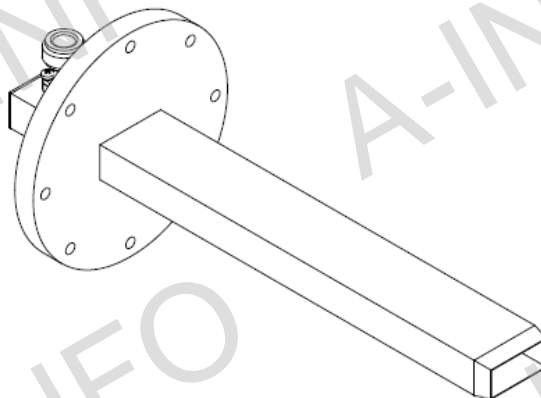
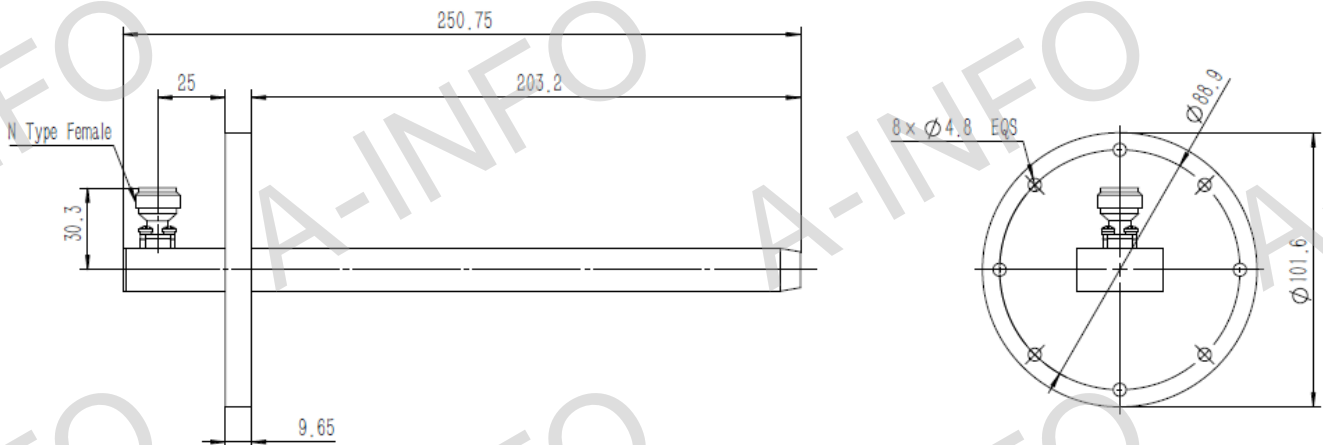
Technical Specification



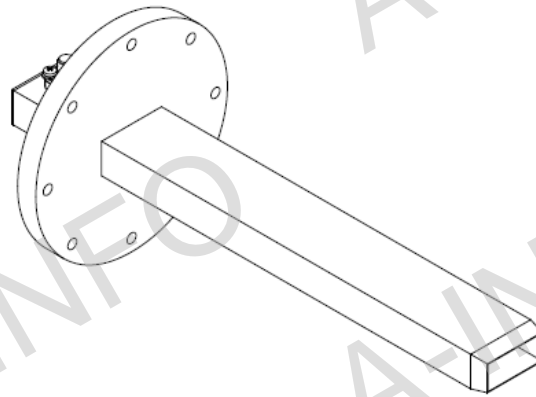
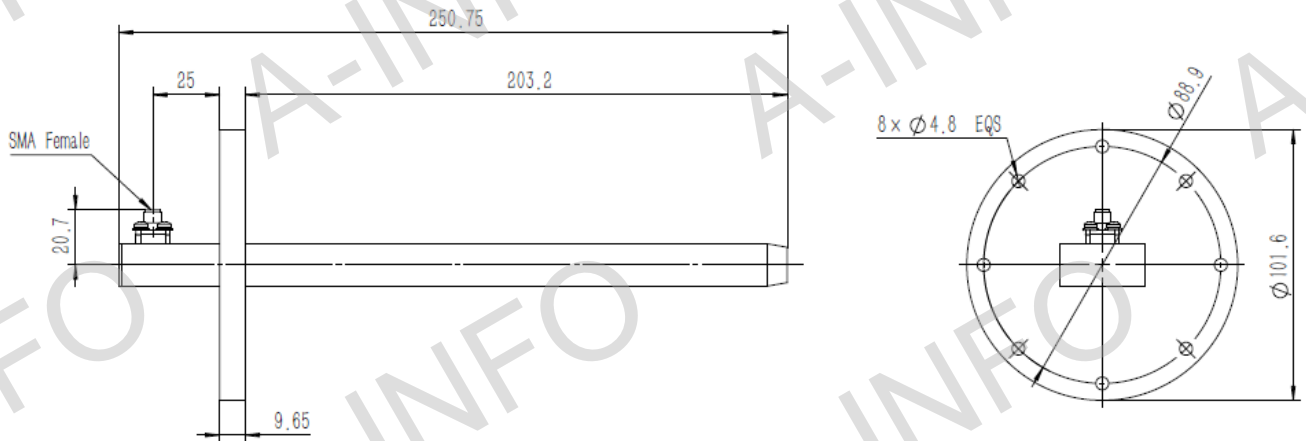
EIA WR	WR112
Frequency Range(GHz)	7.05-10.0
Gain(dB)	5 Typ.
VSWR	2.0 Typ.
Connector	N-F / SMA-F
Material	Al
Length(mm)	250.75
Net Weight(Kg)	0.30 Around

Outline Drawing (Size: mm)

With N Type Female Output



With SMA Female Output



Test Results

VSWR

